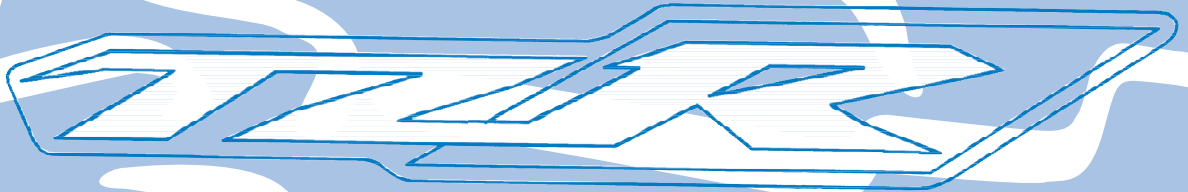




 Read this manual carefully
before operating this vehicle.

OWNER'S MANUAL



TZR50

5WX-F8199-E3

 **Read this manual carefully before operating this vehicle. This manual should stay with this vehicle if it is sold.**

Welcome to the Yamaha world of motorcycling!

As the owner of the TZR50, you are benefiting from Yamaha's vast experience and newest technology regarding the design and manufacture of high-quality products, which have earned Yamaha a reputation for dependability.

Please take the time to read this manual thoroughly, so as to enjoy all advantages of your TZR50. The Owner's Manual does not only instruct you in how to operate, inspect and maintain your motorcycle, but also in how to safeguard yourself and others from trouble and injury.

In addition, the many tips given in this manual will help keep your motorcycle in the best possible condition. If you have any further questions, do not hesitate to contact your Yamaha dealer.

The Yamaha team wishes you many safe and pleasant rides. So, remember to put safety first!

Yamaha continually seeks advancements in product design and quality. Therefore, while this manual contains the most current product information available at the time of printing, there may be minor discrepancies between your motorcycle and this manual. If there is any question concerning this manual, please consult a Yamaha dealer.



Please read this manual carefully and completely before operating this motorcycle.

IMPORTANT MANUAL INFORMATION

EAU10132

Particularly important information is distinguished in this manual by the following notations:



This is the safety alert symbol. It is used to alert you to potential personal injury hazards. Obey all safety messages that follow this symbol to avoid possible injury or death.



A WARNING indicates a hazardous situation which, if not avoided, could result in death or serious injury.



A NOTICE indicates special precautions that must be taken to avoid damage to the vehicle or other property.



A TIP provides key information to make procedures easier or clearer.

IMPORTANT MANUAL INFORMATION

EAUS1172

**TZR50
OWNER'S MANUAL
©2008 by YAMAHA MOTOR ESPAÑA S.A.
1st edition, December 2008
All rights reserved.
Any reprinting or unauthorized use
without the written permission of
YAMAHA MOTOR ESPAÑA S.A.
is expressly prohibited.
Printed in Spain.**

TABLE OF CONTENTS

| | | | | | |
|--------------------------------------|-----|--|------|--|------|
| SAFETY INFORMATION | 1-1 | Fuel tank breather/overflow hose..... | 3-8 | General maintenance and lubrication chart | 6-4 |
| DESCRIPTION | 2-1 | Catalytic converter..... | 3-9 | Removing and installing cowlings and panels..... | 6-8 |
| Left view | 2-1 | 2-stroke engine oil..... | 3-9 | Checking the spark plug | 6-10 |
| Right view | 2-2 | Fuel cock | 3-10 | Transmission oil | 6-11 |
| Controls and instruments | 2-3 | Starter (choke) lever | 3-11 | Coolant | 6-13 |
| INSTRUMENT AND CONTROL | | Seat..... | 3-11 | Air filter element..... | 6-15 |
| FUNCTIONS | 3-1 | Anti-theft device housing..... | 3-12 | Adjusting the carburetor | 6-16 |
| Main switch/steering lock..... | 3-1 | Rear view mirrors..... | 3-12 | Adjusting the engine idling speed .. | 6-16 |
| Indicator and warning lights | 3-2 | Sidestand..... | 3-13 | Adjusting the throttle cable free play..... | 6-17 |
| Turn signal indicator light | 3-2 | Ignition circuit cut-off system | 3-13 | Tires | 6-17 |
| Neutral indicator light | 3-2 | FOR YOUR SAFETY – | | Cast wheels | 6-19 |
| Oil level warning light | 3-2 | PRE-OPERATION CHECKS | 4-1 | Adjusting the clutch lever free play..... | 6-19 |
| Coolant temperature warning light .. | 3-3 | Pre-operation check list..... | 4-2 | Checking the front brake lever free play..... | 6-20 |
| Engine trouble warning light | 3-3 | OPERATION AND IMPORTANT | | Adjusting the brake pedal free play..... | 6-20 |
| Speedometer unit | 3-3 | RIDING POINTS | 5-1 | Adjusting the shift pedal position... | 6-21 |
| Tachometer | 3-4 | Starting a cold engine | 5-1 | Adjusting the rear brake light switch | 6-21 |
| Handlebar switches | 3-4 | Starting a warm engine | 5-2 | Checking the front and rear brake pads..... | 6-21 |
| Pass switch | 3-4 | Shifting..... | 5-2 | Checking the brake fluid level | 6-22 |
| Dimmer switch | 3-4 | Tips for reducing fuel consumption..... | 5-3 | Changing the brake fluid | 6-23 |
| Turn signal switch | 3-4 | Engine break-in..... | 5-3 | Drive chain slack..... | 6-24 |
| Horn switch | 3-4 | Parking..... | 5-4 | Cleaning and lubricating the drive chain..... | 6-25 |
| Engine stop switch | 3-5 | PERIODIC MAINTENANCE AND | | | |
| Start switch | 3-5 | ADJUSTMENT | 6-1 | | |
| Clutch lever..... | 3-5 | Owner's tool kit..... | 6-1 | | |
| Shift pedal..... | 3-5 | Periodic maintenance chart for the emission control system | 6-3 | | |
| Brake lever..... | 3-6 | | | | |
| Brake pedal..... | 3-6 | | | | |
| Fuel tank cap..... | 3-6 | | | | |
| Fuel | 3-7 | | | | |

TABLE OF CONTENTS

| | | | |
|--|------------|-------------------------------------|------------|
| Checking and lubricating the cables | 6-26 | Care | 7-1 |
| Checking and lubricating the throttle grip and cable | 6-26 | Storage | 7-3 |
| Adjusting the Autolube pump | 6-27 | SPECIFICATIONS | 8-1 |
| Checking and lubricating the brake and shift pedals | 6-27 | CONSUMER INFORMATION | 9-1 |
| Checking and lubricating the brake and clutch levers | 6-27 | Identification numbers | 9-1 |
| Checking and lubricating the sidestand | 6-28 | Key identification number | 9-1 |
| Checking the front fork | 6-28 | Vehicle identification number | 9-1 |
| Checking the steering | 6-29 | Model label | 9-2 |
| Checking the wheel bearings | 6-30 | | |
| Battery | 6-30 | | |
| Replacing the fuse | 6-31 | | |
| Replacing the headlight bulb | 6-32 | | |
| Replacing the tail/brake light bulb | 6-33 | | |
| Replacing a front turn signal light bulb | 6-34 | | |
| Replacing a rear turn signal light bulb | 6-34 | | |
| Replacing the license plate light bulb | 6-35 | | |
| Troubleshooting | 6-36 | | |
| Troubleshooting charts | 6-37 | | |
| MOTORCYCLE CARE AND STORAGE | 7-1 | | |
| Matte color caution | 7-1 | | |

EAU10283

Be a Responsible Owner

As the vehicle's owner, you are responsible for the safe and proper operation of your motorcycle.

Motorcycles are single-track vehicles. Their safe use and operation are dependent upon the use of proper riding techniques as well as the expertise of the operator. Every operator should know the following requirements before riding this motorcycle.

He or she should:

- Obtain thorough instructions from a competent source on all aspects of motorcycle operation.
- Observe the warnings and maintenance requirements in this Owner's Manual.
- Obtain qualified training in safe and proper riding techniques.
- Obtain professional technical service as indicated in this Owner's Manual and/or when made necessary by mechanical conditions.

Safe Riding

Perform the pre-operation checks each time you use the vehicle to make sure it is in safe operating condition. Failure to inspect or maintain the vehicle properly increases the possibility of an accident or equipment damage. See page 4-2 for a list of pre-operation checks.

- This motorcycle is designed to carry the operator and a passenger.
- The failure of motorists to detect and recognize motorcycles in traffic is the predominating cause of automobile/motorcycle accidents. Many accidents have been caused by an automobile driver who did not see the motorcycle. Making yourself conspicuous appears to be very effective in reducing the chance of this type of accident.

Therefore:

- Wear a brightly colored jacket.
- Use extra caution when you are approaching and passing through intersections, since

intersections are the most likely places for motorcycle accidents to occur.

- Ride where other motorists can see you. Avoid riding in another motorist's blind spot.
- Many accidents involve inexperienced operators. In fact, many operators who have been involved in accidents do not even have a current motorcycle license.
- Make sure that you are qualified and that you only lend your motorcycle to other qualified operators.
- Know your skills and limits. Staying within your limits may help you to avoid an accident.
- We recommend that you practice riding your motorcycle where there is no traffic until you have become thoroughly familiar with the motorcycle and all of its controls.
- Many accidents have been caused by error of the motorcycle operator. A typical error made by the operator is veering wide on a

turn due to excessive speed or undercornering (insufficient lean angle for the speed).

- Always obey the speed limit and never travel faster than warranted by road and traffic conditions.
- Always signal before turning or changing lanes. Make sure that other motorists can see you.
- The posture of the operator and passenger is important for proper control.
 - The operator should keep both hands on the handlebar and both feet on the operator footrests during operation to maintain control of the motorcycle.
 - The passenger should always hold onto the operator, the seat strap or grab bar, if equipped, with both hands and keep both feet on the passenger footrests. Never carry a passenger unless he or she can firmly place both feet on the passenger footrests.

- Never ride under the influence of alcohol or other drugs.
- This motorcycle is designed for on-road use only. It is not suitable for off-road use.

Protective apparel

The majority of fatalities from motorcycle accidents are the result of head injuries. The use of a safety helmet is the single most critical factor in the prevention or reduction of head injuries.

- Always wear an approved helmet.
- Wear a face shield or goggles. Wind in your unprotected eyes could contribute to an impairment of vision that could delay seeing a hazard.
- The use of a jacket, heavy boots, trousers, gloves, etc., is effective in preventing or reducing abrasions or lacerations.
- Never wear loose-fitting clothes, otherwise they could catch on the control levers, footrests, or wheels and cause injury or an accident.

- Always wear protective clothing that covers your legs, ankles, and feet. The engine or exhaust system become very hot during or after operation and can cause burns.
- A passenger should also observe the above precautions.

Avoid Carbon Monoxide Poisoning

All engine exhaust contains carbon monoxide, a deadly gas. Breathing carbon monoxide can cause headaches, dizziness, drowsiness, nausea, confusion, and eventually death.

Carbon Monoxide is a colorless, odorless, tasteless gas which may be present even if you do not see or smell any engine exhaust. Deadly levels of carbon monoxide can collect rapidly and you can quickly be overcome and unable to save yourself. Also, deadly levels of carbon monoxide can linger for hours or days in enclosed or poorly ventilated areas. If you experience any symptoms of carbon monoxide poisoning, leave the area immediately, get fresh air, and **SEEK MEDICAL TREATMENT.**

SAFETY INFORMATION

1

- Do not run engine indoors. Even if you try to ventilate engine exhaust with fans or open windows and doors, carbon monoxide can rapidly reach dangerous levels.
- Do not run engine in poorly ventilated or partially enclosed areas such as barns, garages, or carports.
- Do not run engine outdoors where engine exhaust can be drawn into a building through openings such as windows and doors.

Loading

Adding accessories or cargo to your motorcycle can adversely affect stability and handling if the weight distribution of the motorcycle is changed. To avoid the possibility of an accident, use extreme caution when adding cargo or accessories to your motorcycle. Use extra care when riding a motorcycle that has added cargo or accessories. Here, along with the information about accessories below, are some general guidelines to follow if loading cargo to your

motorcycle:

The total weight of the operator, passenger, accessories and cargo must not exceed the maximum load limit.

Operation of an overloaded vehicle could cause an accident.

Maximum load:
196 kg (432 lb)

When loading within this weight limit, keep the following in mind:

- Cargo and accessory weight should be kept as low and close to the motorcycle as possible. Securely pack your heaviest items as close to the center of the vehicle as possible and make sure to distribute the weight as evenly as possible on both sides of the motorcycle to minimize imbalance or instability.
- Shifting weights can create a sudden imbalance. Make sure that accessories and cargo are securely attached to the motorcycle before riding. Check accessory mounts and cargo restraints frequently.

- Properly adjust the suspension for your load (suspension-adjustable models only), and check the condition and pressure of your tires.
- Never attach any large or heavy items to the handlebar, front fork, or front fender. These items, including such cargo as sleeping bags, duffel bags, or tents, can create unstable handling or a slow steering response.
- **This vehicle is not designed to pull a trailer or to be attached to a sidecar.**

Genuine Yamaha Accessories

Choosing accessories for your vehicle is an important decision. Genuine Yamaha accessories, which are available only from a Yamaha dealer, have been designed, tested, and approved by Yamaha for use on your vehicle. Many companies with no connection to Yamaha manufacture parts and accessories or offer other modifications for Yamaha vehicles. Yamaha is not in a position to test the products

that these aftermarket companies produce. Therefore, Yamaha can neither endorse nor recommend the use of accessories not sold by Yamaha or modifications not specifically recommended by Yamaha, even if sold and installed by a Yamaha dealer.

Aftermarket Parts, Accessories, and Modifications

While you may find aftermarket products similar in design and quality to genuine Yamaha accessories, recognize that some aftermarket accessories or modifications are not suitable because of potential safety hazards to you or others. Installing aftermarket products or having other modifications performed to your vehicle that change any of the vehicle's design or operation characteristics can put you and others at greater risk of serious injury or death. You are responsible for injuries related to changes in the vehicle.

Keep the following guidelines in mind, as well as those provided under "Loading" when mounting accessories.

- Never install accessories or carry cargo that would impair the performance of your motorcycle. Carefully inspect the accessory before using it to make sure that it does not in any way reduce ground clearance or cornering clearance, limit suspension travel, steering travel or control operation, or obscure lights or reflectors.
- Accessories fitted to the handlebar or the front fork area can create instability due to improper weight distribution or aerodynamic changes. If accessories are added to the handlebar or front fork area, they must be as lightweight as possible and should be kept to a minimum.
- Bulky or large accessories may seriously affect the stability of the motorcycle due to aerodynamic effects. Wind may attempt to lift the motorcycle, or the motorcycle may become unstable in cross winds. These accessories may also cause instability when passing or being passed by large vehicles.
- Certain accessories can displace the operator from his or her normal riding position. This improper position limits the freedom of movement of the operator and may limit control ability, therefore, such accessories are not recommended.
- Use caution when adding electrical accessories. If electrical accessories exceed the capacity of the motorcycle's electrical system, an electric failure could result, which could cause a dangerous loss of lights or engine power.

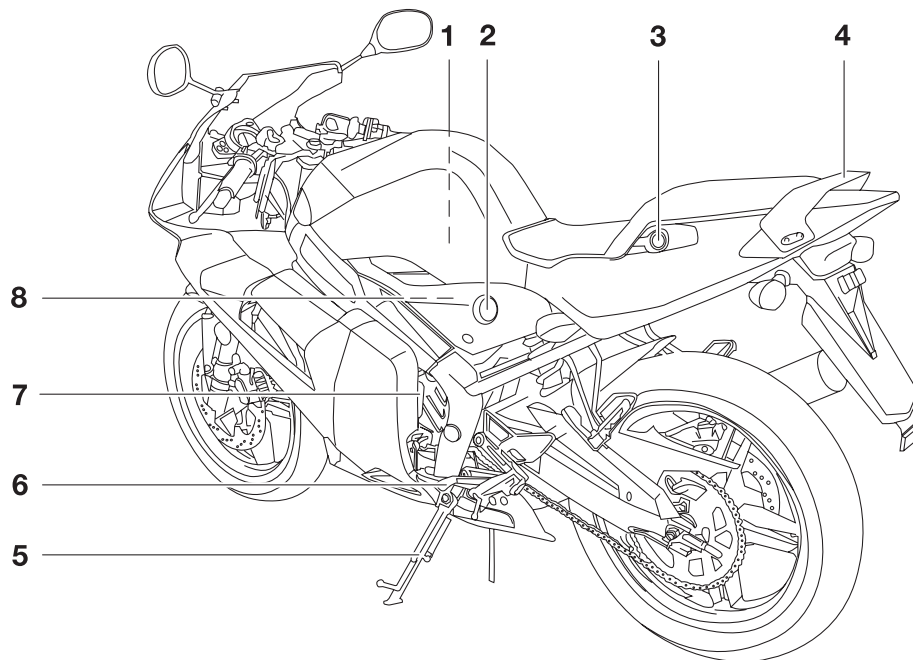
Aftermarket Tires and Rims

The tires and rims that came with your motorcycle were designed to match the performance capabilities and to provide the best combination of handling, braking, and comfort. Other tires, rims, sizes, and combinations may not be appropriate. Refer to page 6-17 for tire specifications and more information on replacing your tires.

DESCRIPTION

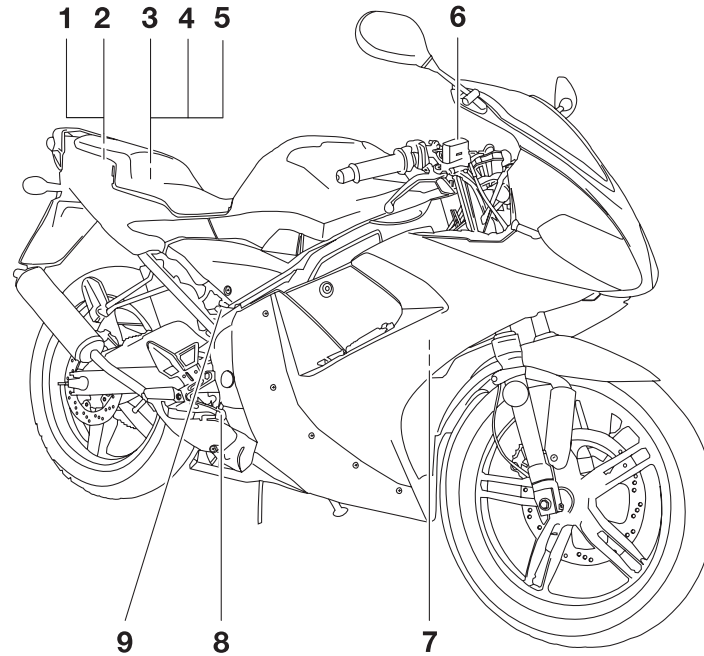
EAU10410

Left view



1. Air filter (page 6-15)
2. Fuel cock (page 3-10)
3. Seat lock (page 3-11)
4. Grab bar
5. Sidestand (page 3-13, 6-28)
6. Shift pedal (page 3-5)
7. Coolant reservoir (page 6-13)
8. Idle adjusting screw (page 6-16)

Right view



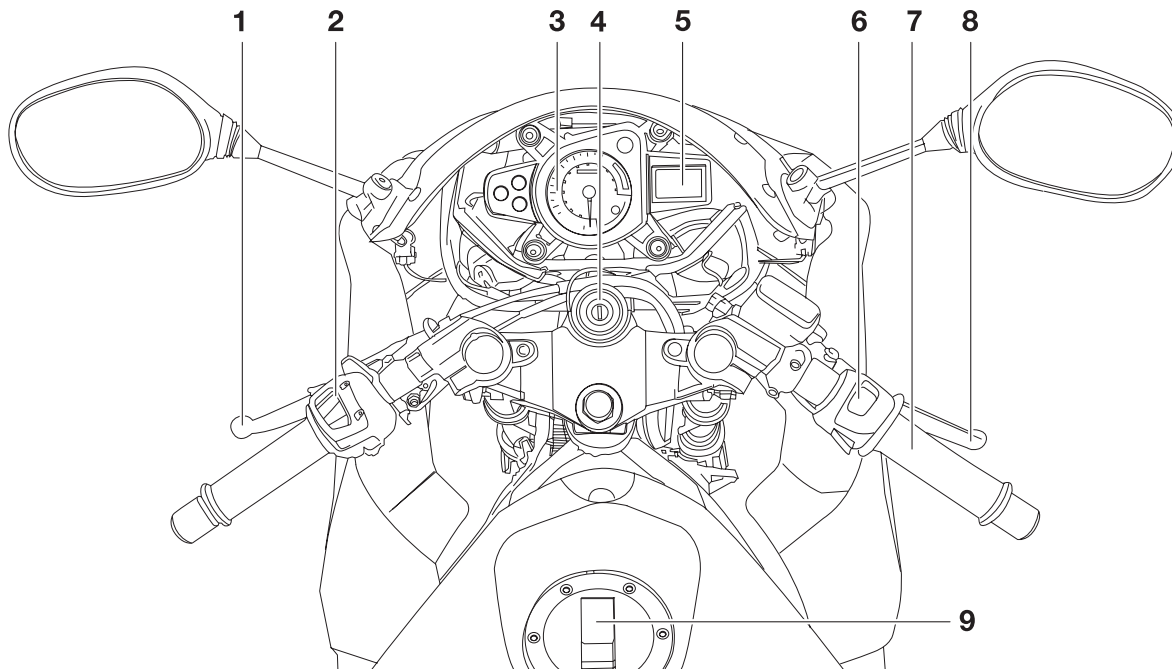
- 1. Storage compartment (page 3-12)
- 2. Owner's tool kit (page 6-1)
- 3. Battery (page 6-30)
- 4. Fuse (page 6-31)
- 5. Oil tank cap (page 3-9)
- 6. Front brake fluid reservoir (page 6-22)
- 7. Radiator (page 6-13)
- 8. Brake pedal (page 3-6)

- 9. Rear brake fluid reservoir (page 6-22)

DESCRIPTION

EAU10430

Controls and instruments



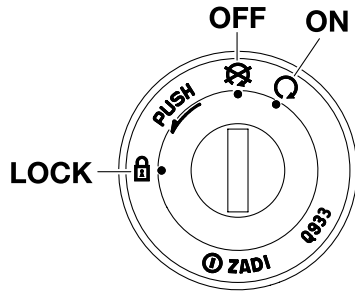
1. Clutch lever (page 3-5)
2. Left handlebar switches (page 3-4)
3. Tachometer (page 3-4)
4. Main switch/steering lock (page 3-1)
5. Speedometer (page 3-3)
6. Right handlebar switches (page 3-4)
7. Throttle grip (page 6-17)
8. Front brake lever (page 3-6)

9. Fuel tank cap (page 3-6)

INSTRUMENT AND CONTROL FUNCTIONS

Main switch/steering lock

EAU10460



The main switch/steering lock controls the ignition and lighting systems, and is used to lock the steering. The various positions are described below.

ON

All electrical circuits are supplied with power, and the engine can be started. The key cannot be removed.

EAU10640

TIP



The headlight, meter lighting and tail light come on automatically when the engine is started.

OFF

All electrical systems are off. The key can be removed.

EAU10661

WARNING

Never turn the key to “” or “” while the vehicle is moving. Otherwise the electrical systems will be switched off, which may result in loss of control or an accident.

EWA10061

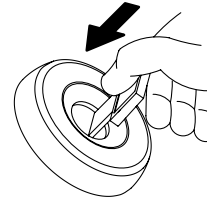
LOCK

The steering is locked, and all electrical systems are off. The key can be removed.

EAU10681

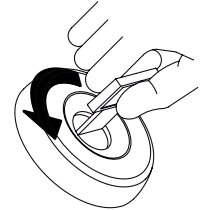
To lock the steering



1



1. Push.
2. Turn.

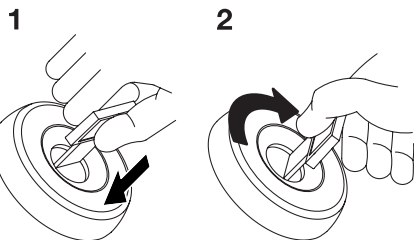
2



1. Turn the handlebars all the way to the left.
2. Push the key in from the “” position, and then turn it to “” while still pushing it.
3. Remove the key.

INSTRUMENT AND CONTROL FUNCTIONS

To unlock the steering

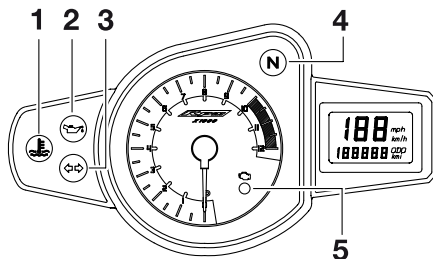


1. Push.
2. Turn.

Push the key in, and then turn it to “” while still pushing it.

EAU11004

Indicator and warning lights



1. Coolant temperature warning light “”
2. Oil level warning light “”
3. Turn signal indicator light “ ”
4. Neutral indicator light “**N**”
5. Engine trouble warning light “”

EAU11020

Turn signal indicator light “ ”

This indicator light flashes when the turn signal switch is pushed to the left or right.

EAU11060

Neutral indicator light “**N**”

This indicator light comes on when the transmission is in the neutral position.

EAUM1062

Oil level warning light “”

This warning light comes on when the key is in the “” position or if the oil level in the 2-stroke engine oil tank is low during operation. If the warning light comes on during operation, stop immediately and fill the oil tank with 2-stroke engine oil of either JASO grade “FC” or ISO grades “EG-C” or “EG-D”. The warning light should go off after the 2-stroke engine oil tank has been refilled.

TIP

If the warning light does not come on when the key is in the “” position or does not go off after the 2-stroke engine oil tank has been refilled, have an Yamaha dealer check the electrical circuit.

ECA16291

NOTICE

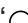

Do not operate the vehicle until you know that the engine oil level is sufficient.

INSTRUMENT AND CONTROL FUNCTIONS

EAU11444

Coolant temperature warning light “”

This warning light comes on if the engine overheats. If this occurs, stop the engine immediately and allow the engine to cool.

The electrical circuit of the warning light can be checked by turning the key to “”. The warning light should come on for a few seconds, and then go off. If the warning light does not come on initially when the key is turned to “”, or if the warning light remains on, have a Yamaha dealer check the electrical circuit.

ECA10021

NOTICE

Do not continue to operate the engine if it is overheating.


TIP

- For radiator-fan-equipped vehicles, the radiator fan(s) automatically switch on or off according to the coolant temperature in the radiator.
- If the engine overheats, see page 6-37 for further instructions.

EAUS1540

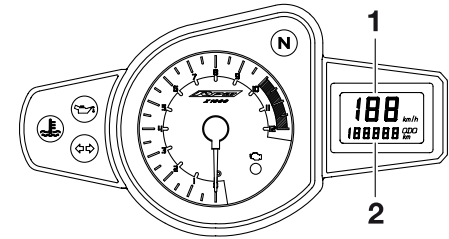
Engine trouble warning light “”

This warning light flashes if a problem is detected in the electrical circuit monitoring the engine. If this occurs, have a Yamaha dealer check the self-diagnosis system.

The electrical circuit of the warning light can be checked by turning the key to “”. If the warning light does not come on for a few seconds, then go off, have a Yamaha dealer check the electrical circuit.

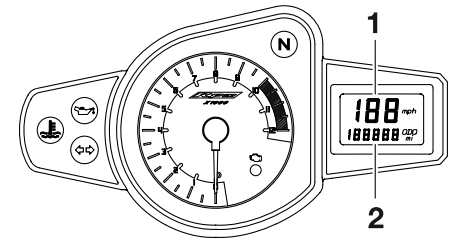
EAU11621

Speedometer unit



1. Speedometer
2. Odometer

UK ONLY



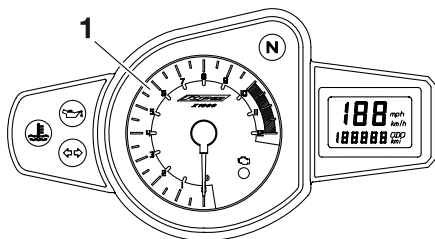
1. Speedometer
2. Odometer

The speedometer unit is equipped with a speedometer and an odometer. The speedometer shows riding speed. The odometer shows the total distance traveled.

INSTRUMENT AND CONTROL FUNCTIONS

EAU11851

Tachometer



1. Tachometer

The electric tachometer allows the rider to monitor the engine speed and keep it within the ideal power range.

ECA10031

NOTICE

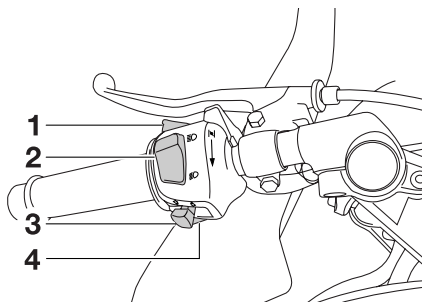
Do not operate the engine in the tachometer red zone.

Red zone: 10000 r/min and above

EAU12348

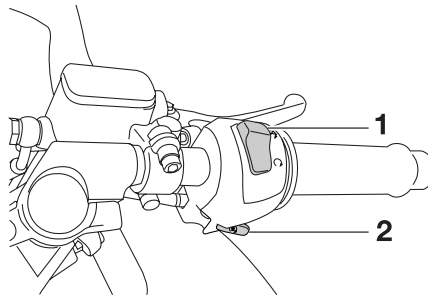
Handlebar switches

Left



1. Pass switch “- 3. Turn signal switch “

Right



1. Engine stop switch “

EAU12360

Pass switch “ Press this switch to flash the headlight.

EAU12400

Dimmer switch “ Set this switch to “

EAU12460

Turn signal switch “ To signal a right-hand turn, push this switch to “

EAU12500

Horn switch “ Press this switch to sound the horn.

INSTRUMENT AND CONTROL FUNCTIONS

EAU12660

Engine stop switch “○ / ⊗”

Set this switch to “○” before starting the engine. Set this switch to “⊗” to stop the engine in case of an emergency, such as when the vehicle overturns or when the throttle cable is stuck.

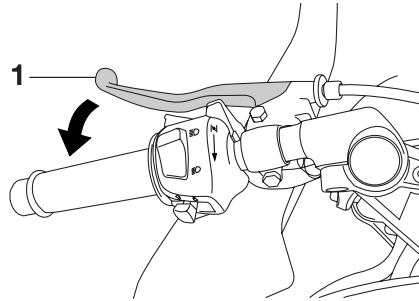
EAU12711

Start switch “⊖”

Push this switch to crank the engine with the starter. See page 5-1 for starting instructions prior to starting the engine.

EAU31640

Clutch lever



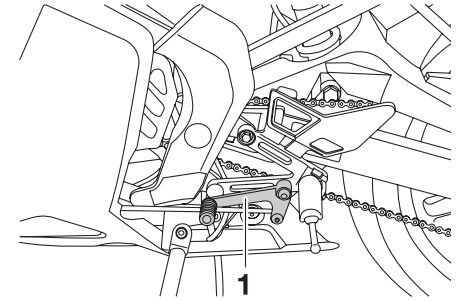
1. Clutch lever

The clutch lever is located at the left handlebar grip. To disengage the clutch, pull the lever toward the handlebar grip. To engage the clutch, release the lever. The lever should be pulled rapidly and released slowly for smooth clutch operation.

The clutch lever is equipped with a clutch switch, which is part of the starting circuit cut-off system. (See page 3-13).

EAU12870

Shift pedal



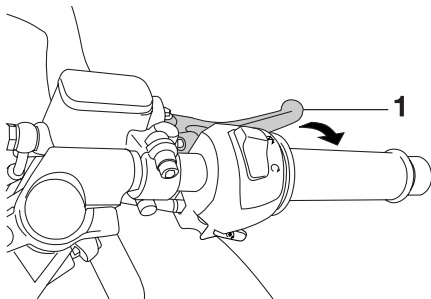
1. Shift pedal

The shift pedal is located on the left side of the engine and is used in combination with the clutch lever when shifting the gears of the 6-speed constant-mesh transmission equipped on this motorcycle.

INSTRUMENT AND CONTROL FUNCTIONS

EAU12890

Brake lever

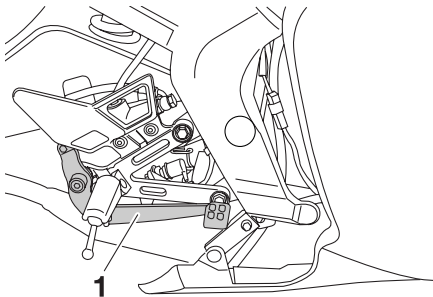


1. Brake lever

The brake lever is located at the right handlebar grip. To apply the front brake, pull the lever toward the handlebar grip.

EAU12941

Brake pedal

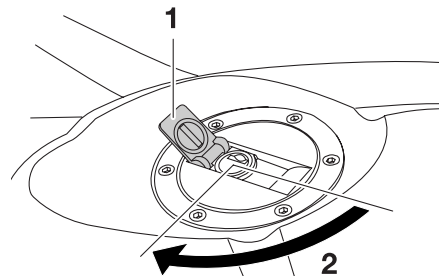


1. Brake pedal

The brake pedal is on the right side of the motorcycle. To apply the rear brake, press down on the brake pedal.

EAU13074

Fuel tank cap



1. Fuel tank cap lock cover
2. Unlock.

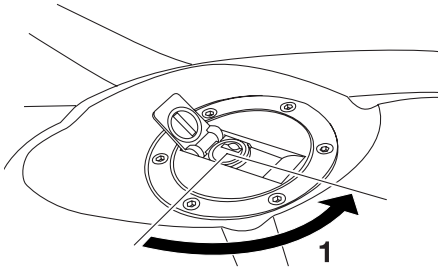
To open the fuel tank cap

Open the fuel tank cap lock cover, insert the key into the lock, and then turn it 1/4 turn clockwise. The lock will be released and the fuel tank cap can be opened.

INSTRUMENT AND CONTROL FUNCTIONS

EWA11091

EAU13212



1. Lock.

To close the fuel tank cap

1. Push the fuel tank cap into position with the key inserted in the lock.
2. Turn the key counterclockwise to the original position, remove it, and then close the lock cover.

TIP

The fuel tank cap cannot be closed unless the key is in the lock. In addition, the key cannot be removed if the cap is not properly closed and locked.

WARNING

Make sure that the fuel tank cap is properly closed after filling fuel. Leaking fuel is a fire hazard.

Fuel

Make sure there is sufficient gasoline in the tank.

EWA10881

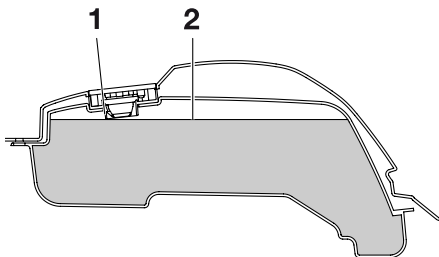
WARNING

Gasoline and gasoline vapors are extremely flammable. To avoid fires and explosions and to reduce the risk of injury when refueling, follow these instructions.

1. Before refueling, turn off the engine and be sure that no one is sitting on the vehicle. Never refuel while smoking, or while in the vicinity of sparks, open flames, or other sources of ignition such as the pilot lights of water heaters and clothes dryers.
2. Do not overfill the fuel tank. Stop filling when the fuel reaches the bottom of the filler tube. Because fuel expands when it heats up, heat from the engine or the sun can cause fuel to spill out of the fuel tank.

INSTRUMENT AND CONTROL FUNCTIONS

EAUB1300



1. Fuel tank filler tube
2. Fuel level

3. Wipe up any spilled fuel immediately. **NOTICE: Immediately wipe off spilled fuel with a clean, dry, soft cloth, since fuel may deteriorate painted surfaces or plastic parts.** [ECA10071]
4. Be sure to securely close the fuel tank cap.

EWA15151

⚠ WARNING

Gasoline is poisonous and can cause injury or death. Handle gasoline with care. Never siphon gasoline by mouth. If you should swallow some gasoline or inhale a lot of gasoline vapor, or get some gasoline in your

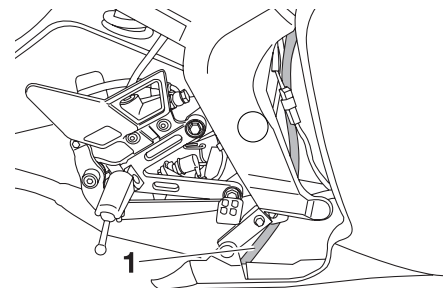
eyes, see your doctor immediately. If gasoline spills on your skin, wash with soap and water. If gasoline spills on your clothing, change your clothes.

EAU13270

Recommended fuel:
REGULAR UNLEADED
GASOLINE ONLY
Fuel tank capacity:
13.8 L (3.65 US gal, 3.04 Imp.gal)
Fuel reserve amount:
2.2 L (0.58 US gal, 0.48 Imp.gal)

Your Yamaha engine has been designed to use regular unleaded gasoline with a research octane number of 91 or higher. If knocking (or pinging) occurs, use a gasoline of a different brand or premium unleaded fuel. Use of unleaded fuel will extend spark plug life and reduce maintenance costs.

Fuel tank breather/overflow hose



1. Fuel tank breather/overflow hose

Before operating the motorcycle:

- Check the fuel tank breather/overflow hose connection.
- Check the fuel tank breather/overflow hose for cracks or damage, and replace it if damaged.
- Make sure that the end of the fuel tank breather/overflow hose is not blocked, and clean it if necessary.
- Make sure that the end of the fuel tank breather/overflow hose is positioned inside of the clamp.

Catalytic converter

This model is equipped with a catalytic converter in the exhaust system.

EWA10862

WARNING

The exhaust system is hot after operation. To prevent a fire hazard or burns:

- Do not park the vehicle near possible fire hazards such as grass or other materials that easily burn.
- Park the vehicle in a place where pedestrians or children are not likely to touch the hot exhaust system.
- Make sure that the exhaust system has cooled down before doing any maintenance work.
- Do not allow the engine to idle more than a few minutes. Long idling can cause a build-up of heat.

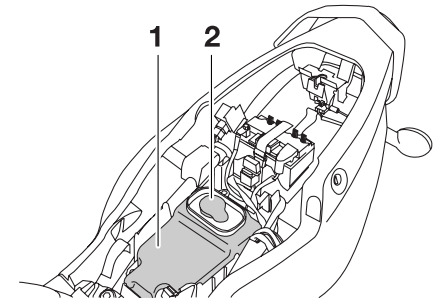
NOTICE

Use only unleaded gasoline. The use of leaded gasoline will cause unreparable damage to the catalytic converter.

2-stroke engine oil

Make sure that there is sufficient 2-stroke engine oil in the oil tank. Add the recommended 2-stroke engine oil as necessary.

The 2-stroke engine oil tank is located under the seat. (See page 3-11).

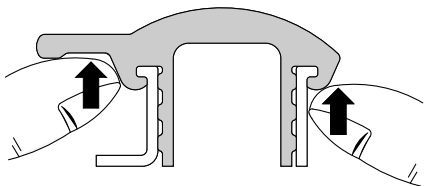


1. 2-stroke engine oil tank
2. 2-stroke engine oil tank cap

1. Remove the 2-stroke engine oil tank cap by pulling it off.

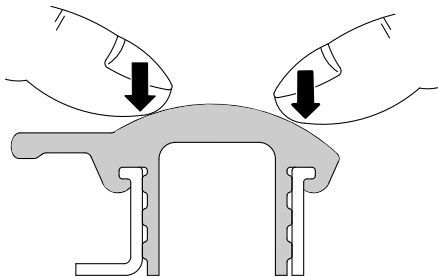
INSTRUMENT AND CONTROL FUNCTIONS

EAU13561



3

2. Install the 2-stroke engine oil tank cap by pushing it into the oil tank opening.



TIP

Make sure that the 2-stroke engine oil tank cap is properly installed before riding the vehicle.

Recommended oil:

See page 8-1

Oil quantity:

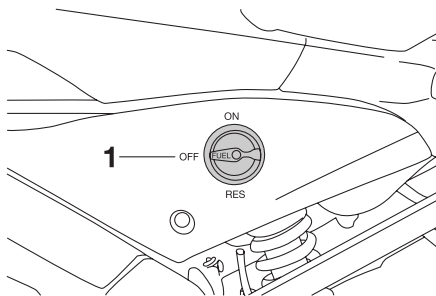
1.40 L (1.48 US qt, 1.23 Imp.qt)

Fuel cock

The fuel cock supplies fuel from the tank to the carburetor while filtering it also.

The fuel cock has three positions:

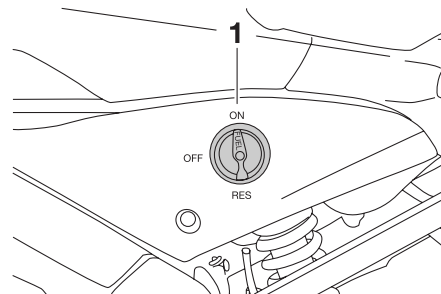
OFF



1. Pointed end positioned over "OFF"

With the lever in this position, fuel will not flow. Always return the lever to this position when the engine is not running.

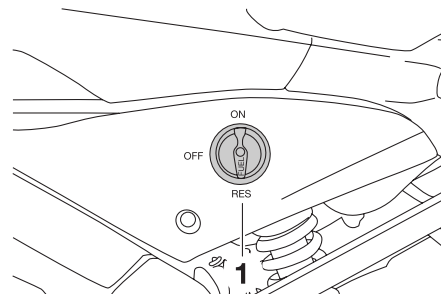
ON



1. Pointed end positioned over "ON"

With the lever in this position, fuel flows to the carburetor. Normal riding is done with the lever in this position.

RES



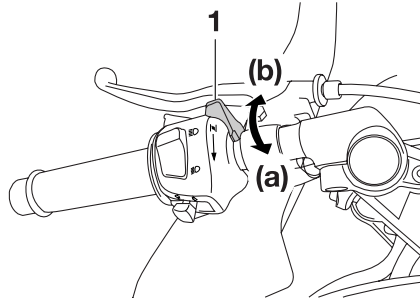
1. Pointed end positioned over "RES"

INSTRUMENT AND CONTROL FUNCTIONS

This indicates reserve. If you run out of fuel while riding, move the lever to this position. Fill the tank at the first opportunity. Be sure to set the lever back to “ON” after refueling!

EAU13590

Starter (choke) lever “”



1. Starter (choke) lever “”

Starting a cold engine requires a richer air-fuel mixture, which is supplied by the starter (choke).

Move the lever in direction (a) to turn on the starter (choke).

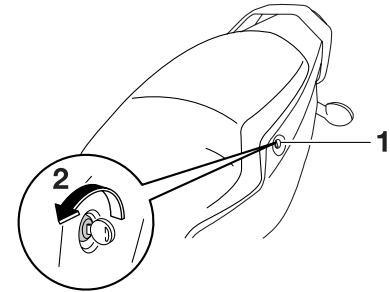
Move the lever in direction (b) to turn off the starter (choke).

EAU13900

Seat

To remove the seat

1. Insert the key into the seat lock, and then turn it as shown.



1. Seat lock
2. Open.

2. Pull the seat off.

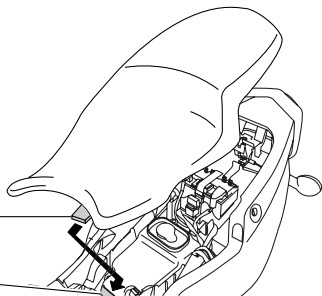
To install the seat

1. Insert the projection on the front of the seat into the seat holder as shown.

INSTRUMENT AND CONTROL FUNCTIONS

EAU1941

EAU39671



3

1. Projection
2. Seat holder

2. Push the rear of the seat down to lock it in place.
3. Remove the key.

TIP

Make sure that the seat is properly secured before riding.

Anti-theft device housing

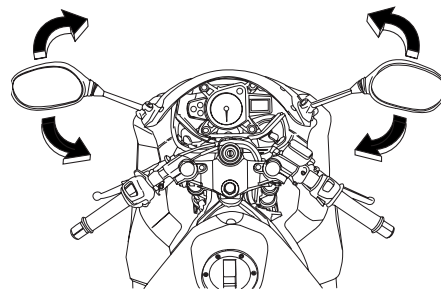
The anti-theft device housing, located in the storage compartment under the seat, is designed to hold a genuine Yamaha CYCLELOK. (See page 3-11 for seat opening and closing procedures.) When placing a CYCLELOK in the storage compartment, securely fasten it with the straps. When the CYCLELOK is not in the storage compartment, be sure to secure the straps to prevent losing them.

TIP

Some U-LOCKS cannot fit into the housing due to their size or shape.

Rear view mirrors

The rear view mirrors of this vehicle can be folded forward or backward for parking in narrow spaces. Fold the mirrors back to their original position before riding.

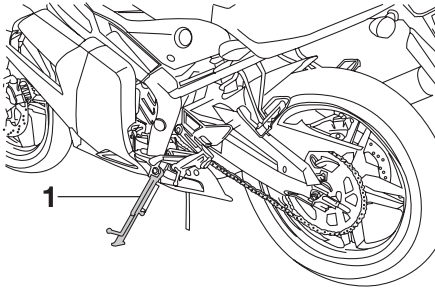


EWA14371

WARNING

Be sure to fold the rear view mirrors back to their original position before riding.

Sidestand



1. Sidestand

The sidestand is located on the left side of the frame. Raise the sidestand or lower it with your foot while holding the vehicle upright.

TIP

The built-in sidestand switch is part of the ignition circuit cut-off system, which cuts the ignition in certain situations. (See further down for an explanation of the ignition circuit cut-off system.)

⚠ WARNING

The vehicle must not be ridden with the sidestand down, or if the sidestand cannot be properly moved up (or does not stay up), otherwise the sidestand could contact the ground and distract the operator, resulting in a possible loss of control. Yamaha's ignition circuit cut-off system has been designed to assist the operator in fulfilling the responsibility of raising the sidestand before starting off. Therefore, check this system regularly as described below and have a Yamaha dealer repair it if it does not function properly.

Ignition circuit cut-off system

The ignition circuit cut-off system (comprising the sidestand switch, clutch switch and neutral switch) has the following functions.

- It prevents starting when the transmission is in gear and the sidestand is up, but the clutch lever is not pulled.
- It prevents starting when the transmission is in gear and the clutch lever is pulled, but the sidestand is still down.
- It cuts the running engine when the transmission is in gear and the sidestand is moved down.

Periodically check the operation of the ignition circuit cut-off system according to the following procedure.

TIP

This check is most reliable if performed with a warmed-up engine.

INSTRUMENT AND CONTROL FUNCTIONS

3

With the engine turned off:
1. Move the sidestand down.
2. Make sure that the engine stop switch is set to “O”.
3. Turn the key on.
4. Shift the transmission into the neutral position.
5. Push the start switch.
Does the engine start?



If a malfunction is noted, have a Yamaha dealer check the system before riding.

YES NO

The neutral switch may not be working correctly.
The motorcycle should not be ridden until checked by a Yamaha dealer.

With the engine still running:
6. Move the sidestand up.
7. Keep the clutch lever pulled.
8. Shift the transmission into gear.
9. Move the sidestand down.
Does the engine stall?

YES NO

The sidestand switch may not be working correctly.
The motorcycle should not be ridden until checked by a Yamaha dealer.

After the engine has stalled:
10. Move the sidestand up.
11. Keep the clutch lever pulled.
12. Push the start switch.
Does the engine start?

YES NO

The clutch switch may not be working correctly.
The motorcycle should not be ridden until checked by a Yamaha dealer.

The system is OK. **The motorcycle can be ridden.**

FOR YOUR SAFETY – PRE-OPERATION CHECKS

EAU15591

The condition of a vehicle is the owner's responsibility. Vital components can start to deteriorate quickly and unexpectedly, even if the vehicle remains unused (for example, as a result of exposure to the elements). Any damage, fluid leakage or loss of tire air pressure could have serious consequences. Therefore, it is very important, in addition to a thorough visual inspection, to check the following points before each ride.

TIP _____

Pre-operation checks should be made each time the vehicle is used. Such an inspection can be accomplished in a very short time; and the added safety it assures is more than worth the time involved.

EWA11150

WARNING _____

If any item in the Pre-operation check list is not working properly, have it inspected and repaired before operating the vehicle.

FOR YOUR SAFETY – PRE-OPERATION CHECKS

EAU15596

Inspect your vehicle each time you use it to make sure the vehicle is in safe operating condition. Always follow the inspection and maintenance procedures and schedules described in the Owner's Manual.

EWA11151

WARNING

Failure to inspect or maintain the vehicle properly increases the possibility of an accident or equipment damage. Do not operate the vehicle if you find any problem. If a problem cannot be corrected by the procedures provided in this manual, have the vehicle inspected by a Yamaha dealer.

Before using this vehicle, check the following points:

4

| ITEM | CHECKS | PAGE |
|---------------------|---|-------------|
| Fuel | <ul style="list-style-type: none">• Check fuel level in fuel tank.• Refuel if necessary.• Check fuel line for leakage. | 3-7 |
| 2-stroke engine oil | <ul style="list-style-type: none">• Check oil level in oil tank.• If necessary, add recommended oil to specified level.• Check vehicle for oil leakage. | 3-9 |
| Coolant | <ul style="list-style-type: none">• Check coolant level in reservoir.• If necessary, add recommended coolant to specified level.• Check cooling system for leakage. | 6-13 |
| Front brake | <ul style="list-style-type: none">• Check operation.• If soft or spongy, have Yamaha dealer bleed hydraulic system.• Check lever free play.• Adjust if necessary.• Check brake pads for wear.• Replace if necessary.• Check fluid level in reservoir.• If necessary, add recommended brake fluid to specified level.• Check hydraulic system for leakage. | 6-20 ~ 6-22 |

FOR YOUR SAFETY – PRE-OPERATION CHECKS

| ITEM | CHECKS | PAGE |
|--------------------------------|---|------------|
| Rear brake | <ul style="list-style-type: none"> • Check operation. • If soft or spongy, have Yamaha dealer bleed hydraulic system. • Check brake pads for wear. • Replace if necessary. • Check fluid level in reservoir. • If necessary, add recommended brake fluid to specified level. • Check hydraulic system for leakage. | 6-21, 6-22 |
| Clutch | <ul style="list-style-type: none"> • Check operation. • Lubricate cable if necessary. • Check lever free play. • Adjust if necessary. | 6-19 |
| Throttle grip | <ul style="list-style-type: none"> • Make sure that operation is smooth. • Check cable free play. • If necessary, have Yamaha dealer adjust cable free play and lubricate cable and grip housing. | 6-17, 6-26 |
| Control cables | <ul style="list-style-type: none"> • Make sure that operation is smooth. • Lubricate if necessary. | 6-26 |
| Drive chain | <ul style="list-style-type: none"> • Check chain slack. • Adjust if necessary. • Check chain condition. • Lubricate if necessary. | 6-24, 6-25 |
| Wheels and tires | <ul style="list-style-type: none"> • Check for damage. • Check tire condition and tread depth. • Check air pressure. • Correct if necessary. | 6-17, 6-19 |
| Brake and shift pedals | <ul style="list-style-type: none"> • Make sure that operation is smooth. • Lubricate pedal pivoting points if necessary. | 6-27 |
| Brake and clutch levers | <ul style="list-style-type: none"> • Make sure that operation is smooth. • Lubricate lever pivoting points if necessary. | 6-27 |
| Sidestand | <ul style="list-style-type: none"> • Make sure that operation is smooth. • Lubricate pivot if necessary. | 6-28 |
| Chassis fasteners | <ul style="list-style-type: none"> • Make sure that all nuts, bolts and screws are properly tightened. • Tighten if necessary. | — |

FOR YOUR SAFETY – PRE-OPERATION CHECKS

| ITEM | CHECKS | PAGE |
|--|---|------|
| Instruments, lights, signals and switches | <ul style="list-style-type: none">• Check operation.• Correct if necessary. | — |
| Engine stop switch | <ul style="list-style-type: none">• Check operation. | 3-4 |
| Sidestand switch | <ul style="list-style-type: none">• Check operation of ignition circuit cut-off system.• If system is not working correctly, have Yamaha dealer check vehicle. | 3-13 |

OPERATION AND IMPORTANT RIDING POINTS

EAU15951

Read the Owner's Manual carefully to become familiar with all controls. If there is a control or function you do not understand, ask your Yamaha dealer.

EWA10271



WARNING

Failure to familiarize yourself with the controls can lead to loss of control, which could cause an accident or injury.

EAU16053

Starting a cold engine

In order for the ignition circuit cut-off system to enable starting, one of the following conditions must be met:

- The transmission is in the neutral position.
- The transmission is in gear with the clutch lever pulled and the sidestand up.

See page 3-13 for more information.

1. Turn the fuel cock lever to "ON".
2. Turn the key to "○" and make sure that the engine stop switch is set to "○".
3. Shift the transmission into the neutral position. (See page 5-2.) The neutral indicator light should come on. If not, ask a Yamaha dealer to check the electrical circuit.
4. Turn the starter (choke) on and completely close the throttle. (See page 3-11).
5. Start the engine by pushing the start switch.

If the engine fails to start, release the start switch, wait a few seconds, and then try again.

Each starting attempt should be as short as possible to preserve the battery. Do not crank the engine more than 10 seconds on any one attempt.

6. After starting the engine, move the starter (choke) back halfway. **NOTICE: For maximum engine life, never accelerate hard when the engine is cold!** [ECA11041]
7. When the engine is warm, turn the starter (choke) off.

TIP

The engine is warm when it responds normally to the throttle with the starter (choke) turned off.

OPERATION AND IMPORTANT RIDING POINTS

EAU16640

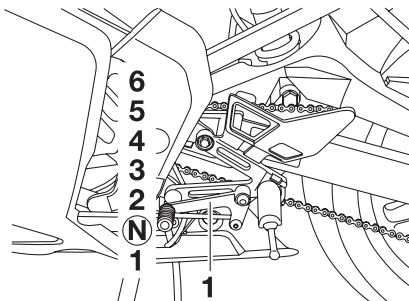
EAU16671

ECA10260

Starting a warm engine

Follow the same procedure as for starting a cold engine with the exception that the starter (choke) is not required when the engine is warm.

Shifting



1. Shift pedal

Shifting gears lets you control the amount of engine power available for starting off, accelerating, climbing hills, etc.

The gear positions are shown in the illustration.

TIP

To shift the transmission into the neutral position, press the shift pedal down repeatedly until it reaches the end of its travel, and then slightly raise it.

NOTICE

- Even with the transmission in the neutral position, do not coast for long periods of time with the engine off, and do not tow the motorcycle for long distances. The transmission is properly lubricated only when the engine is running. Inadequate lubrication may damage the transmission.
- Always use the clutch while changing gears to avoid damaging the engine, transmission, and drive train, which are not designed to withstand the shock of forced shifting.

OPERATION AND IMPORTANT RIDING POINTS

EAU16800

Tips for reducing fuel consumption

Fuel consumption depends largely on your riding style. Consider the following tips to reduce fuel consumption:

- Turn the starter (choke) off as soon as possible.
- Shift up swiftly, and avoid high engine speeds during acceleration.
- Do not rev the engine while shifting down, and avoid high engine speeds with no load on the engine.
- Turn the engine off instead of letting it idle for an extended length of time (e.g., in traffic jams, at traffic lights or at railroad crossings).

EAU16830

Engine break-in

There is never a more important period in the life of your engine than the period between 0 and 1000 km (600 mi). For this reason, you should read the following material carefully. Since the engine is brand new, do not put an excessive load on it for the first 1000 km (600 mi). The various parts in the engine wear and polish themselves to the correct operating clearances. During this period, prolonged full-throttle operation or any condition that might result in engine overheating must be avoided.

EAUS1560

0–500 km (0–300 mi)

- Avoid prolonged operation above 4000 r/min.
- After every hour of operation, stop the engine, and then let it cool for five to ten minutes.
- Vary the engine speed from time to time. Do not operate the engine at one set throttle position.

500–1000 km (300–600 mi)

- Avoid prolonged operation above 6000 r/min.
- Rev the engine freely through the gears, but do not use full throttle at any time. **NOTICE: After 1000 km (600 mi) of operation, the transmission oil must be changed.** [ECA10370]

1000 km (600 mi) and beyond

- The vehicle can now be operated normally.

ECA10310

NOTICE

- Keep the engine speed out of the tachometer red zone.
- If any engine trouble should occur during the engine break-in period, immediately have a Yamaha dealer check the vehicle.

OPERATION AND IMPORTANT RIDING POINTS

EAU17171

Parking

When parking, stop the engine, remove the key from the main switch, and then turn the fuel cock lever to “OFF”.

EWA10311

WARNING

- Since the engine and exhaust system can become very hot, park in a place where pedestrians or children are not likely to touch them and be burned.
 - Do not park on a slope or on soft ground, otherwise the vehicle may overturn, increasing the risk of a fuel leak and fire.
 - Do not park near grass or other flammable materials which might catch fire.
-

PERIODIC MAINTENANCE AND ADJUSTMENT

EAU17241

Periodic inspection, adjustment, and lubrication will keep your vehicle in the safest and most efficient condition possible. Safety is an obligation of the vehicle owner/operator. The most important points of vehicle inspection, adjustment, and lubrication are explained on the following pages. The intervals given in the periodic maintenance and lubrication chart should be simply considered as a general guide under normal riding conditions. However, depending on the weather, terrain, geographical location, and individual use, the maintenance intervals may need to be shortened.

EWA10321

WARNING

Failure to properly maintain the vehicle or performing maintenance activities incorrectly may increase your risk of injury or death during service or while using the vehicle. If you are not familiar with vehicle service, have a Yamaha dealer perform service.

EWA15121

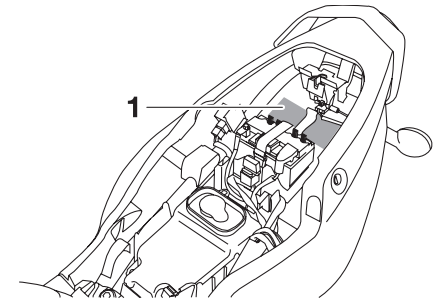
WARNING

Turn off the engine when performing maintenance unless otherwise specified.

- **A running engine has moving parts that can catch on body parts or clothing and electrical parts that can cause shocks or fires.**
- **Running the engine while servicing can lead to eye injury, burns, fire, or carbon monoxide poisoning – possibly leading to death. See page 1-1 for more information about carbon monoxide.**

EAU17521

Owner's tool kit



1. Owner's tool kit

The owner's tool kit is located inside the storage compartment under the seat. (See page 3-11).

The service information included in this manual and the tools provided in the owner's tool kit are intended to assist you in the performance of preventive maintenance and minor repairs. However, additional tools such as a torque wrench may be necessary to perform certain maintenance work correctly.

PERIODIC MAINTENANCE AND ADJUSTMENT

TIP

If you do not have the tools or experience required for a particular job, have a Yamaha dealer perform it for you.

PERIODIC MAINTENANCE AND ADJUSTMENT

EAU46870

TIP

- The annual checks must be performed every year, except if a kilometer-based maintenance, or for the UK, a mileage-based maintenance, is performed instead.
- From 30000 km (17500 mi), repeat the maintenance intervals starting from 6000 km (3500 mi).
- Items marked with an asterisk should be performed by a Yamaha dealer as they require special tools, data and technical skills.

EAU46920

Periodic maintenance chart for the emission control system

| NO. | ITEM | CHECK OR MAINTENANCE JOB | ODOMETER READING | | | | | ANNUAL CHECK |
|-----|------------------------|--|---------------------|----------------------|-----------------------|------------------------|------------------------|--------------|
| | | | 1000 km (600 mi) | 6000 km (3500 mi) | 12000 km (7000 mi) | 18000 km (10500 mi) | 24000 km (14000 mi) | |
| 1 | * Fuel line | <ul style="list-style-type: none"> • Check fuel hoses for cracks or damage. | | √ | √ | √ | √ | √ |
| 2 | Spark plug | <ul style="list-style-type: none"> • Replace. | | √ | √ | √ | √ | √ |
| 3 | * Carburetor | <ul style="list-style-type: none"> • Check starter (choke) operation. • Adjust engine idling speed. | √ | √ | √ | √ | √ | √ |
| 4 | * Air induction system | <ul style="list-style-type: none"> • Check the air cut-off valve, reed valve, and hose for damage. • Replace any damaged parts if necessary. | | √ | √ | √ | √ | √ |

PERIODIC MAINTENANCE AND ADJUSTMENT

EAU17716

General maintenance and lubrication chart

| NO. | ITEM | CHECK OR MAINTENANCE JOB | ODOMETER READING | | | | | ANNUAL CHECK |
|-----|--------------------|--|------------------|----------------------------|--------------------|---------------------|---------------------|--------------|
| | | | 1000 km (600 mi) | 6000 km (3500 mi) | 12000 km (7000 mi) | 18000 km (10500 mi) | 24000 km (14000 mi) | |
| 1 * | Air filter element | • Clean. | | √ | | √ | | |
| | | • Replace. | | | √ | | √ | |
| 2 | Clutch | • Check operation. • Adjust. | √ | √ | √ | √ | √ | |
| 3 * | Front brake | • Check operation, fluid level and vehicle for fluid leakage. | √ | √ | √ | √ | √ | √ |
| | | • Replace brake pads. | | Whenever worn to the limit | | | | |
| 4 * | Rear brake | • Check operation, fluid level and vehicle for fluid leakage. | √ | √ | √ | √ | √ | √ |
| | | • Replace brake pads. | | Whenever worn to the limit | | | | |
| 5 * | Brake hoses | • Check for cracks or damage. | | √ | √ | √ | √ | √ |
| | | • Replace. | | Every 4 years | | | | |
| 6 * | Wheels | • Check runout and for damage. | | √ | √ | √ | √ | |
| 7 * | Tires | • Check tread depth and for damage. • Replace if necessary. • Check air pressure. • Correct if necessary. | | √ | √ | √ | √ | √ |
| 8 * | Wheel bearings | • Check bearing for looseness or damage. | | √ | √ | √ | √ | |

6

PERIODIC MAINTENANCE AND ADJUSTMENT

| NO. | ITEM | CHECK OR MAINTENANCE JOB | ODOMETER READING | | | | | ANNUAL CHECK |
|------|--------------------------|---|--|-------------------|--------------------|---------------------|---------------------|--------------|
| | | | 1000 km (600 mi) | 6000 km (3500 mi) | 12000 km (7000 mi) | 18000 km (10500 mi) | 24000 km (14000 mi) | |
| 9 * | Swingarm | <ul style="list-style-type: none"> Check operation and for excessive play. | | √ | √ | √ | √ | |
| | | <ul style="list-style-type: none"> Lubricate with lithium-soap-based grease. | Every 24000 km (14000 mi) | | | | | |
| 10 | Drive chain | <ul style="list-style-type: none"> Check chain slack, alignment and condition. Adjust and lubricate chain with a special O-ring chain lubricant thoroughly. | Every 500 km (300 mi) and after washing the motorcycle or riding in the rain | | | | | |
| 11 * | Steering bearings | <ul style="list-style-type: none"> Check bearing play and steering for roughness. | √ | √ | √ | √ | √ | |
| | | <ul style="list-style-type: none"> Lubricate with lithium-soap-based grease. | Every 50000 km (30000 mi) | | | | | |
| 12 * | Chassis fasteners | <ul style="list-style-type: none"> Make sure that all nuts, bolts and screws are properly tightened. | | √ | √ | √ | √ | √ |
| 13 | Brake lever pivot shaft | <ul style="list-style-type: none"> Lubricate with silicone grease. | | √ | √ | √ | √ | √ |
| 14 | Brake pedal pivot shaft | <ul style="list-style-type: none"> Lubricate with lithium-soap-based grease. | | √ | √ | √ | √ | √ |
| 15 | Clutch lever pivot shaft | <ul style="list-style-type: none"> Lubricate with lithium-soap-based grease. | | √ | √ | √ | √ | √ |
| 16 | Shift pedal pivot shaft | <ul style="list-style-type: none"> Lubricate with lithium-soap-based grease. | | √ | √ | √ | √ | √ |
| 17 | Sidestand | <ul style="list-style-type: none"> Check operation. Lubricate. | | √ | √ | √ | √ | √ |
| 18 * | Sidestand switch | <ul style="list-style-type: none"> Check operation. | √ | √ | √ | √ | √ | √ |

PERIODIC MAINTENANCE AND ADJUSTMENT

| NO. | ITEM | CHECK OR MAINTENANCE JOB | ODOMETER READING | | | | | ANNUAL CHECK |
|------|--|---|------------------|-------------------|--------------------|---------------------|---------------------|--------------|
| | | | 1000 km (600 mi) | 6000 km (3500 mi) | 12000 km (7000 mi) | 18000 km (10500 mi) | 24000 km (14000 mi) | |
| 19 * | Front fork | <ul style="list-style-type: none"> Check operation and for oil leakage. | | √ | √ | √ | √ | |
| 20 * | Rear suspension relay arm and connecting arm pivoting points | <ul style="list-style-type: none"> Check operation. | | √ | √ | √ | √ | |
| | | <ul style="list-style-type: none"> Lubricate with lithium-soap-based grease. | | | √ | | √ | |
| 21 * | Autolube pump | <ul style="list-style-type: none"> Check operation. Bleed if necessary. | √ | | √ | | √ | √ |
| 22 | Transmission oil | <ul style="list-style-type: none"> Check oil level. | √ | √ | √ | √ | √ | √ |
| | | <ul style="list-style-type: none"> Change. | √ | | √ | | √ | |
| 23 * | Front and rear brake switches | <ul style="list-style-type: none"> Check operation. | √ | √ | √ | √ | √ | √ |
| 24 | Moving parts and cables | <ul style="list-style-type: none"> Lubricate. | | √ | √ | √ | √ | √ |
| 25 * | Throttle grip housing and cable | <ul style="list-style-type: none"> Check operation and free play. Adjust the throttle cable free play if necessary. Lubricate the throttle grip housing and cable. | | √ | √ | √ | √ | √ |
| 26 * | Lights, signals and switches | <ul style="list-style-type: none"> Check operation. Adjust headlight beam. | √ | √ | √ | √ | √ | √ |

PERIODIC MAINTENANCE AND ADJUSTMENT

EAU18670

TIP

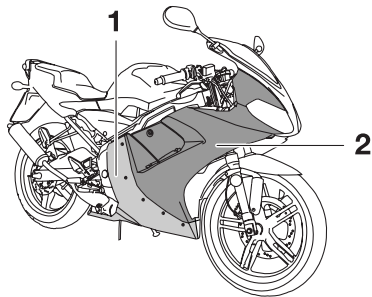
- The air filter needs more frequent service if you are riding in unusually wet or dusty areas.
 - Hydraulic brake service
 - Regularly check and, if necessary, correct the brake fluid level.
 - Every two years replace the internal components of the brake master cylinders and calipers, and change the brake fluid.
 - Replace the brake hoses every four years and if cracked or damaged.
-

PERIODIC MAINTENANCE AND ADJUSTMENT

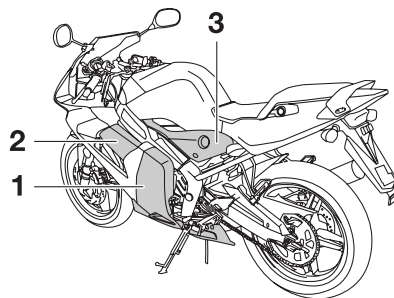
EAU18712

Removing and installing cowlings and panels

The cowlings and panels shown need to be removed to perform some of the maintenance jobs described in this chapter. Refer to this section each time a cowling or panel needs to be removed and installed.



1. Cowling A
2. Cowling C

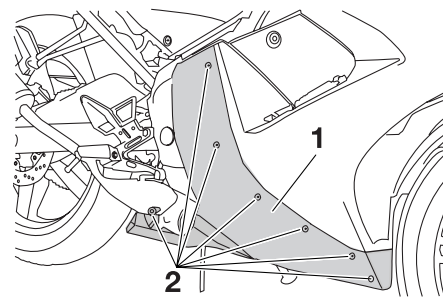


1. Cowling B
2. Panel A
3. Panel B

Cowling A

To remove the cowling

Remove the screws, and then take the cowling off.



1. Cowling A
2. Screw

To install the cowling

Place the cowling in the original position, and then install the screws.

EAU18790

PERIODIC MAINTENANCE AND ADJUSTMENT

EAU1571

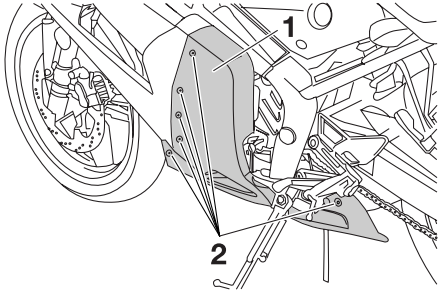
EAU37730

EAU19272

Cowling B

To remove the cowling

1. Remove cowling A. (See page 6-8).
2. Remove the screws shown, and then take the cowling off.



1. Cowling B
2. Screw

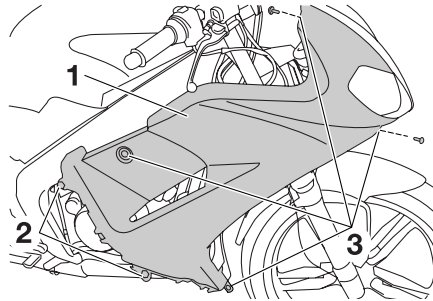
To install the cowling

1. Place the cowling in the original position, and then install the screws.
2. Install cowling A.

Cowling C

To remove the cowling

1. Remove cowlings A and B. (See page 6-8).
2. Remove the bolts and screws shown, and then take the cowling off.



1. Cowling C
2. Bolt
3. Screw

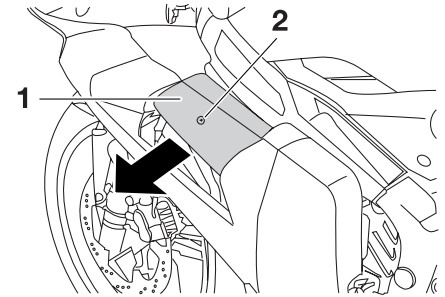
To install the cowling

1. Place the cowling in the original position, and then install the bolts and screws.
2. Install cowlings A and B.

Panel A

To remove the panel

Remove the screw, and then pull outward on the areas shown.



1. Panel A
2. Screw

To install the panel

Place the panel in the original position, and then install the screw.

PERIODIC MAINTENANCE AND ADJUSTMENT

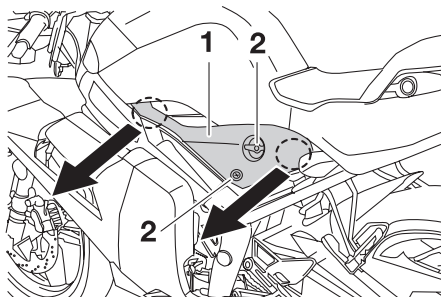
EAU19210

EAUS1580

Panel B

To remove the panel

Remove the screws, and then take the panel off.



1. Panel B
2. Screw

To install the panel

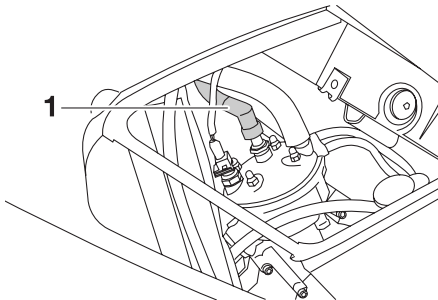
Place the panel in the original position, and then install the screws.

Checking the spark plug

The spark plug is an important engine component, which is easy to check. Since heat and deposits will cause any spark plug to slowly erode, the spark plug should be removed and checked in accordance with the periodic maintenance and lubrication chart. In addition, the condition of the spark plug can reveal the condition of the engine.

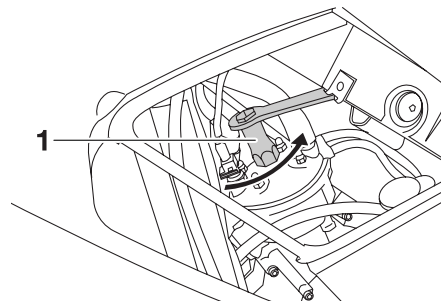
To remove the spark plug

1. Remove panel A. (See page 6-8).
2. Remove the spark plug cap.



1. Spark plug cap

3. Remove the spark plug as shown, using the spark plug wrench, which is located in the storage compartment. (See page 6-1).



1. Spark plug wrench

To check the spark plug

1. Check that the porcelain insulator around the center electrode of the spark plug is a medium-to-light tan (the ideal color when the vehicle is ridden normally).

TIP

If the spark plug shows a distinctly different color, the engine could be operating improperly. Do not attempt to diagnose such problems yourself.

PERIODIC MAINTENANCE AND ADJUSTMENT

EAUS1591

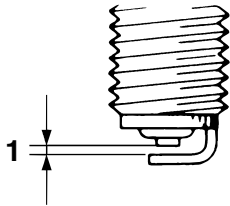
Instead, have a Yamaha dealer check the vehicle.

2. Check the spark plug for electrode erosion and excessive carbon or other deposits, and replace it if necessary.

Specified spark plug:
NGK / BR9 ES

To install the spark plug

1. Measure the spark plug gap with a wire thickness gauge and, if necessary, adjust the gap to specification.



1. Spark plug gap

Spark plug gap:
0.6–0.7 mm (0.024–0.028 in)

2. Clean the surface of the spark plug gasket and its mating surface, and then wipe off any grime from the spark plug threads.
3. Install the spark plug with the spark plug wrench, and then tighten it to the specified torque.

Tightening torque:
Spark plug:
22.5 Nm (2.2 m•kgf, 16.3 ft•lbf)

TIP

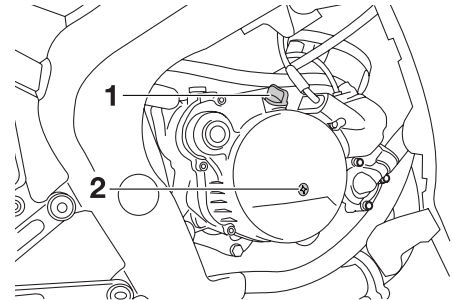
If a torque wrench is not available when installing a spark plug, a good estimate of the correct torque is 1/4–1/2 turn past finger tight. However, the spark plug should be tightened to the specified torque as soon as possible.

4. Install the spark plug cap.
5. Install the panel.

Transmission oil

The transmission oil level should be checked before each ride. In addition, the oil must be changed at the intervals specified in the periodic maintenance and lubrication chart.

To check the transmission oil level



1. Oil filler cap
2. Oil check bolt

1. Remove cowling A. (See page 6-8).
2. Place the vehicle on a level surface and hold it in an upright position.

PERIODIC MAINTENANCE AND ADJUSTMENT

TIP

Make sure that the vehicle is positioned straight up when checking the oil level. A slight tilt to the side can result in a false reading.

3. Remove the oil check bolt, and then check the oil level.

TIP

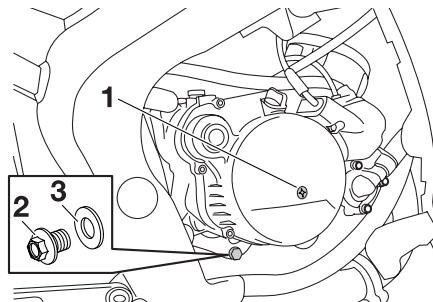
The oil should be at the brim of the check hole.

4. If the oil is below the brim of the check hole, remove the oil filler cap, add sufficient oil of the recommended type to raise it to the correct level, and then install the oil filler cap.
5. Install the oil check bolt, and then tighten it to the specified torque.

Tightening torque:

Oil check bolt:
6 Nm (0.6 m•kgf, 4.3 ft•lbf)

To change the transmission oil



1. Oil check bolt
2. Transmission oil drain bolt
3. Washer

1. Place an oil pan under the transmission oil case to collect the used oil.
2. Remove the drain bolt and the oil check bolt to drain the oil.
3. Install the drain bolt and the check bolt, and then tighten them to the specified torques.

Tightening torque:

Transmission oil drain bolt:
17.5 Nm (1.7 m•kgf, 12.7 ft•lbf)
Oil check bolt:
6 Nm (0.6 m•kgf, 4.3 ft•lbf)

4. Remove the oil filler cap, refill with the specified amount of the recommended transmission oil, and then install and tighten the oil filler cap. **NOTICE: Make sure that no foreign material enters the transmission case.** [ECAM1021]

Recommended transmission oil:

See page 8-1

Oil change quantity:

0.75 L (0.79 US qt, 0.66 Imp.qt)

5. Start the engine and let it idle for several minutes while checking the transmission oil case for oil leakage. If oil is leaking, immediately turn the engine off and check for the cause.

PERIODIC MAINTENANCE AND ADJUSTMENT

EAU20070

Coolant

The coolant level should be checked before each ride. In addition, the coolant must be changed at the intervals specified in the periodic maintenance and lubrication chart.

EAU39086

To check the coolant level

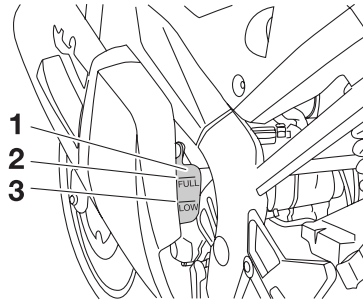
1. Place the vehicle on a level surface and hold it in an upright position.

TIP

- The coolant level must be checked on a cold engine since the level varies with engine temperature.
 - Make sure that the vehicle is positioned straight up when checking the coolant level. A slight tilt to the side can result in a false reading.
2. Check the coolant level in the coolant reservoir.

TIP

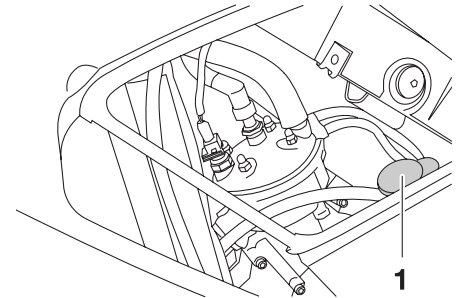
The coolant should be between the minimum and maximum level marks.



1. Coolant reservoir
2. Maximum level mark
3. Minimum level mark

3. If the coolant is at or below the minimum level mark, remove panel A. (See page 6-8).
4. Remove the coolant reservoir cap, add coolant to the maximum level mark, and then install the reservoir cap. **WARNING! Remove only the coolant reservoir cap. Never attempt to remove the radiator cap when the engine is hot.** [EWA15161] **NOTICE: If coolant is not available,**

use distilled water or soft tap water instead. Do not use hard water or salt water since it is harmful to the engine. If water has been used instead of coolant, replace it with coolant as soon as possible, otherwise the cooling system will not be protected against frost and corrosion. If water has been added to the coolant, have a Yamaha dealer check the anti-freeze content of the coolant as soon as possible, otherwise the effectiveness of the coolant will be reduced. [ECA10472]



1. Coolant reservoir cap

PERIODIC MAINTENANCE AND ADJUSTMENT

Coolant reservoir capacity (up to the maximum level mark):

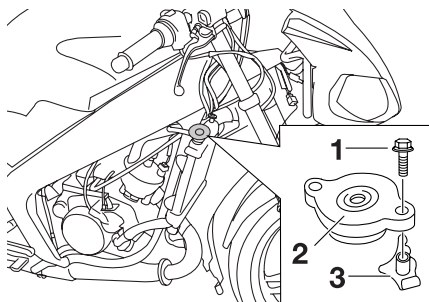
0.29 L (0.31 US qt, 0.26 Imp.qt)

5. Install the panel.

EAUS1601

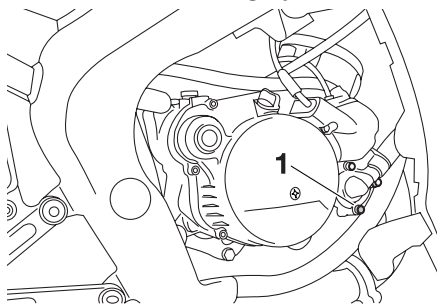
To change the coolant

1. Put the vehicle on a level surface and let the engine cool if necessary.
2. Remove cowlings C and panel A. (See page 6-8).
3. Place a container under the engine to collect the used coolant.
4. Remove the radiator cap retaining bolt, radiator cap retainer and radiator cap. **WARNING! Never attempt to remove the radiator cap when the engine is hot.** [EWA10381]



1. Radiator cap retaining bolt
2. Radiator cap
3. Radiator cap retainer

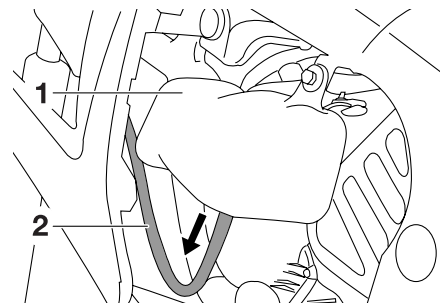
5. Remove the coolant drain bolt to drain the cooling system.



1. Coolant drain bolt

6. Remove the coolant reservoir cap.

7. Disconnect the coolant reservoir hose on the reservoir side and drain the coolant from the reservoir.



1. Coolant reservoir
2. Coolant reservoir hose

8. After draining the coolant, thoroughly flush the cooling system with clean tap water.
9. Replace the coolant drain bolt washer if it is damaged, and then tighten the coolant drain bolt to the specified torque.

Tightening torque:

Coolant drain bolt:
9 Nm (0.9 m•kgf, 6.5 ft•lbf)

10. Connect the coolant reservoir hose.

PERIODIC MAINTENANCE AND ADJUSTMENT

EAU40371

11. Pour the recommended coolant into the radiator until it is full.

Recommended antifreeze:

High quality ethylene glycol antifreeze containing corrosion inhibitors for aluminum engines

Antifreeze/water mixing ratio:

1:1

Coolant quantity:

Radiator capacity (including all routes):

0.70 L (0.74 US qt, 0.62 Imp.qt)

Coolant reservoir capacity:

0.29 L (0.31 US qt, 0.26 Imp.qt)

12. Install the radiator cap.
13. Run the engine several minutes. Stop the engine and recheck the coolant level in the radiator. If it is low, add more coolant until it reaches the top of the radiator.
14. Install the radiator cap, radiator cap retainer and radiator cap retaining bolt.
15. Fill the coolant reservoir with coolant up to the maximum level.
16. Install the coolant reservoir cap and check for coolant leakage.

TIP _____
If any leakage is found, ask a Yamaha dealer to inspect the cooling system.

17. Install the cowl and the panel.

Air filter element

The air filter element should be cleaned or replaced at the intervals specified in the periodic maintenance and lubrication chart. Have a Yamaha dealer clean or replace the air filter element.

PERIODIC MAINTENANCE AND ADJUSTMENT

EAU21280

Adjusting the carburetor

The carburetor is an important part of the engine and requires very sophisticated adjustment. Therefore, most carburetor adjustments should be left to a Yamaha dealer, who has the necessary professional knowledge and experience. The adjustment described in the following section, however, may be serviced by the owner as part of routine maintenance.

ECA10550

NOTICE

The carburetor has been set and extensively tested at the Yamaha factory. Changing these settings without sufficient technical knowledge may result in poor performance of or damage to the engine.

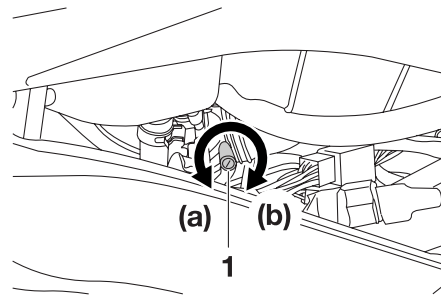
EAU33482

Adjusting the engine idling speed

The engine idling speed must be checked and, if necessary, adjusted as follows at the intervals specified in the periodic maintenance and lubrication chart.

The engine should be warm before making this adjustment.

1. Remove panel B. (See page 6-8).
2. Check the engine idling speed and, if necessary, adjust it to specification by turning the idle adjusting screw. To increase the engine idling speed, turn the screw in direction (a). To decrease the engine idling speed, turn the screw in direction (b).



1. Idle adjusting screw

Engine idling speed:
1250–1350 r/min

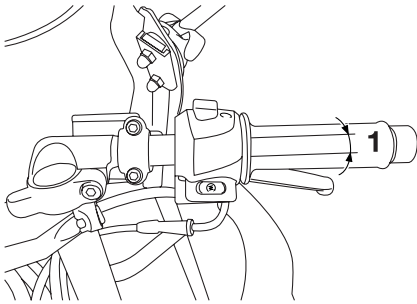
TIP

If the specified idling speed cannot be obtained as described above, have a Yamaha dealer make the adjustment.

3. Install the panel.

EAU21370

Adjusting the throttle cable free play



1. Throttle cable free play

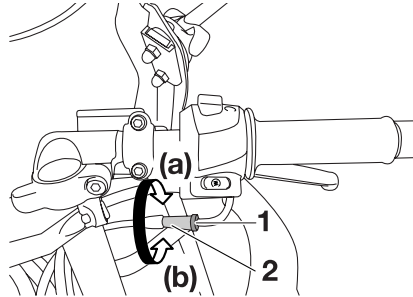
The throttle cable free play should measure 4.0–6.0 mm (0.16–0.24 in) at the throttle grip. Periodically check the throttle cable free play and, if necessary, adjust it as follows.

TIP

The engine idling speed must be correctly adjusted before checking and adjusting the throttle cable free play.

1. Loosen the locknut.

2. To increase the throttle cable free play, turn the adjusting nut in direction (a). To decrease the throttle cable free play, turn the adjusting nut in direction (b).



1. Locknut
2. Adjusting nut

3. Tighten the locknut.

EAU21562

Tires

To maximize the performance, durability, and safe operation of your motorcycle, note the following points regarding the specified tires.

Tire air pressure

The tire air pressure should be checked and, if necessary, adjusted before each ride.

EWA10501

⚠ WARNING

Operation of this vehicle with improper tire pressure may cause severe injury or death from loss of control.

- The tire air pressure must be checked and adjusted on cold tires (i.e., when the temperature of the tires equals the ambient temperature).
- The tire air pressure must be adjusted in accordance with the riding speed and with the total weight of rider, passenger, cargo, and accessories approved for this model.

PERIODIC MAINTENANCE AND ADJUSTMENT

Tire air pressure (measured on cold tires):

0–90 kg (0–198 lb):

Front:

180 kPa (1.80 kgf/cm²,
26 psi, 1.80 bar)

Rear:

200 kPa (2.00 kgf/cm²,
29 psi, 2.00 bar)

90–196 kg (198–432 lb):

Front:

190 kPa (1.90 kgf/cm²,
28 psi, 1.90 bar)

Rear:

230 kPa (2.30 kgf/cm²,
33 psi, 2.30 bar)

Maximum load*:

196 kg (432 lb)

* Total weight of rider, passenger, cargo and accessories

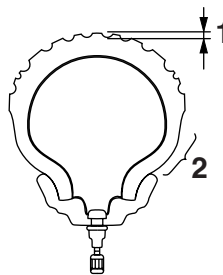
EWA10511



WARNING

Never overload your vehicle. Operation of an overloaded vehicle could cause an accident.

Tire inspection



ZALUM0054

1. Tire tread depth
2. Tire sidewall

The tires must be checked before each ride. If the center tread depth reaches the specified limit, if the tire has a nail or glass fragments in it, or if the sidewall is cracked, have a Yamaha dealer replace the tire immediately.

Minimum tire tread depth (front and rear):

1.6 mm (0.06 in)

TIP

The tire tread depth limits may differ from country to country. Always comply with the local regulations.

Tire information

This motorcycle is equipped with cast wheels and tubeless tires.

EWA10461



WARNING

The front and rear tires should be of the same make and design, otherwise the handling characteristics of the vehicle may be different, which could lead to an accident.

After extensive tests, only the tires listed below have been approved for this model by Yamaha Motor España, S.A.

Front tire:

Size:

100/80 17 (52H)

Manufacturer/model:

Pirelli / Sport Demon

Continental / Conti-Twist SM

Rear tire:

Size:

130/70 17 (62H)

Manufacturer/model:

Pirelli / Sport Demon

Continental / Conti-Twist SM

WARNING

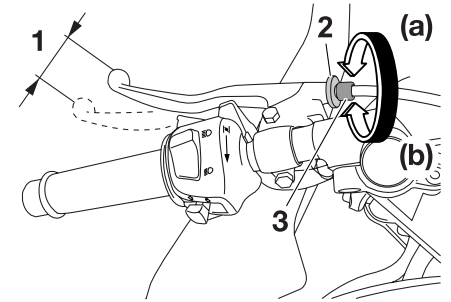
- Have a Yamaha dealer replace excessively worn tires. Besides being illegal, operating the vehicle with excessively worn tires decreases riding stability and can lead to loss of control.
- The replacement of all wheel and brake related parts, including the tires, should be left to a Yamaha dealer, who has the necessary professional knowledge and experience.

Cast wheels

To maximize the performance, durability, and safe operation of your vehicle, note the following points regarding the specified wheels.

- The wheel rims should be checked for cracks, bends or warpage before each ride. If any damage is found, have a Yamaha dealer replace the wheel. Do not attempt even the smallest repair to the wheel. A deformed or cracked wheel must be replaced.
- The wheel should be balanced whenever either the tire or wheel has been changed or replaced. An unbalanced wheel can result in poor performance, adverse handling characteristics, and a shortened tire life.
- Ride at moderate speeds after changing a tire since the tire surface must first be “broken in” for it to develop its optimal characteristics.

Adjusting the clutch lever free play



1. Clutch lever free play
2. Locknut
3. Clutch lever free play adjusting bolt

The clutch lever free play should measure 10.0–15.0 mm (0.39–0.59 in) as shown. Periodically check the clutch lever free play and, if necessary, adjust it as follows.

1. Loosen the locknut at the clutch lever.
2. To increase the clutch lever free play, turn the adjusting bolt in direction (a). To decrease the clutch lever free play, turn the adjusting bolt in direction (b).

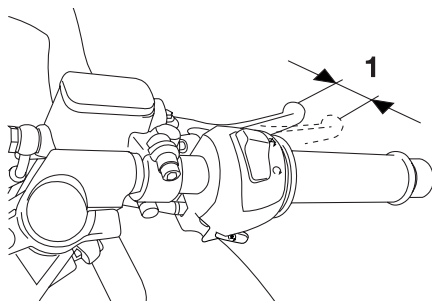
PERIODIC MAINTENANCE AND ADJUSTMENT

3. Tighten the locknut.

TIP

If the specified free play cannot be obtained as described above or if the clutch does not operate correctly, have a Yamaha dealer check the internal clutch mechanism.

Checking the front brake lever free play



1. Front brake lever free play

The brake lever free play should measure 2.0–5.0 mm (0.08–0.20 in) as shown. Periodically check the brake lever free play and, if necessary, have a Yamaha dealer check the brake system.

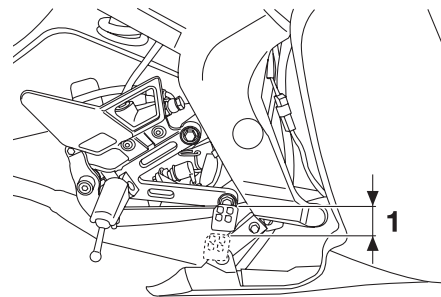
EWA10641

WARNING

An incorrect brake lever free play indicates a hazardous condition in the brake system. Do not operate the vehicle until the brake system has been checked or repaired by a Yamaha dealer.

EAUT1221

Adjusting the brake pedal free play



1. Brake pedal free play

The brake pedal free play should measure 5.0–10.0 mm (0.20–0.39 in) as shown. Periodically check the brake pedal free play and, if necessary, have a Yamaha dealer adjust it.

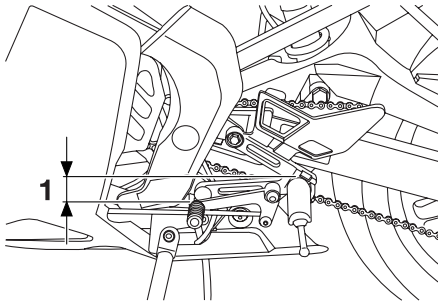
EWAM1030

WARNING

An incorrect brake pedal free play indicates a hazardous condition in the brake system. Do not operate the motorcycle until the brake system has been checked or repaired by a Yamaha dealer.

EAU81100

Adjusting the shift pedal position

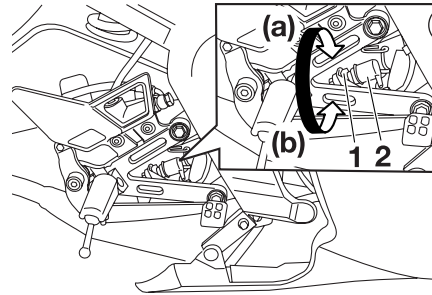


1. Distance between shift pedal and footrest

The top of the shift pedal should be positioned approximately 65 mm (2.56 in) below the top of the footrest as shown. Periodically check the shift pedal position and, if necessary, have a Yamaha dealer adjust it.

EAU22272

Adjusting the rear brake light switch



1. Rear brake light switch adjusting nut
2. Brake light switch

The rear brake light, which is activated by the brake pedal, should come on just before braking takes effect. If necessary, adjust the rear brake light switch as follows.

Turn the rear brake light switch adjusting nut while holding the rear brake light switch in place. To make the brake light come on earlier, turn the adjusting nut in direction (a). To make the brake light come on later, turn the adjusting nut in direction (b).

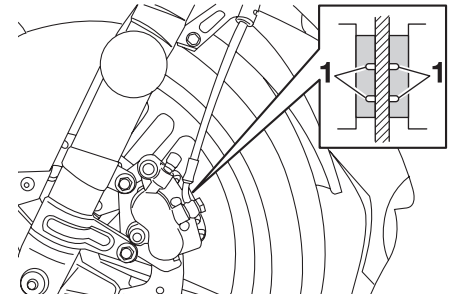
EAU22390

Checking the front and rear brake pads

The front and rear brake pads must be checked for wear at the intervals specified in the periodic maintenance and lubrication chart.

EAU22430

Front brake pads



1. Brake pad wear indicator groove

Each front brake pad is provided with wear indicator grooves, which allow you to check the brake pad wear without having to disassemble the brake. To check the brake pad wear, check the wear indicator grooves. If a brake pad has worn to the point that the wear indicator grooves have almost

PERIODIC MAINTENANCE AND ADJUSTMENT

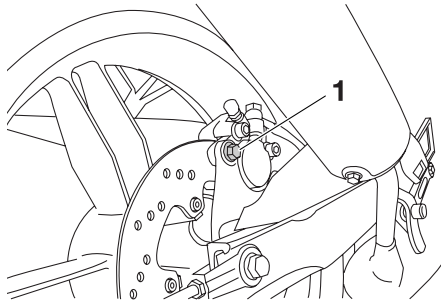
disappeared, have a Yamaha dealer replace the brake pads as a set.

EAU22480

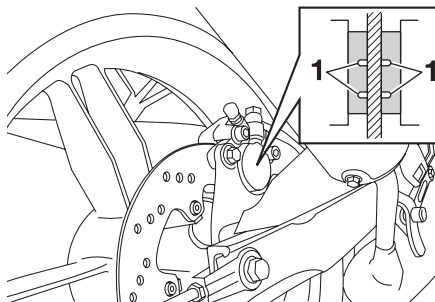
Rear brake pads

Each rear brake pad is provided with a wear indicator groove, which allows you to check the brake pad wear without having to disassemble the brake. Check the brake pad wear as follows.

1. Remove the brake caliper bolt, and then tilt the caliper forward to inspect the wear indicator groove. If a brake pad has worn to the point that the wear indicator groove has almost disappeared, have a Yamaha dealer replace the brake pads as a set.



1. Brake caliper bolt



1. Brake pad wear indicator groove

2. Install the brake caliper bolt, and then tighten it to the specified torque.

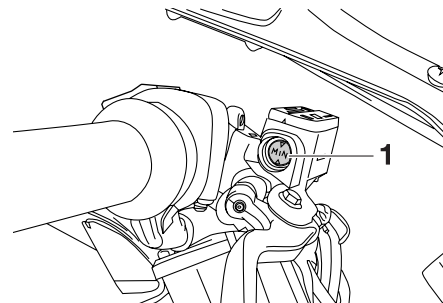
Tightening torque:

Brake caliper bolt:
30 Nm (3.0 m•kgf, 21.7 ft•lbf)

EAU22580

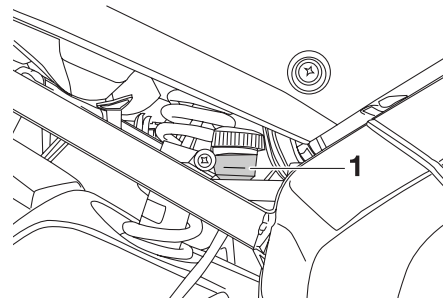
Checking the brake fluid level

Front brake



1. Minimum level mark

Rear brake



1. Minimum level

PERIODIC MAINTENANCE AND ADJUSTMENT

EAU22731

Insufficient brake fluid may allow air to enter the brake system, possibly causing it to become ineffective.

Before riding, check that the brake fluid is above the minimum level mark and replenish if necessary. A low brake fluid level may indicate worn brake pads and/or brake system leakage. If the brake fluid level is low, be sure to check the brake pads for wear and the brake system for leakage.

Observe these precautions:

- When checking the fluid level, make sure that the top of the brake fluid reservoir is level.
- Use only the recommended quality brake fluid, otherwise the rubber seals may deteriorate, causing leakage and poor braking performance.

Recommended brake fluid:

DOT 4

- Refill with the same type of brake fluid. Mixing fluids may result in a harmful chemical reaction and lead to poor braking performance.

- Be careful that water does not enter the brake fluid reservoir when refilling. Water will significantly lower the boiling point of the fluid and may result in vapor lock.
- Brake fluid may deteriorate painted surfaces or plastic parts. Always clean up spilled fluid immediately.
- As the brake pads wear, it is normal for the brake fluid level to gradually go down. However, if the brake fluid level goes down suddenly, have a Yamaha dealer check the cause.

Changing the brake fluid

Have a Yamaha dealer change the brake fluid at the intervals specified in the TIP after the periodic maintenance and lubrication chart. In addition, have the oil seals of the master cylinders and calipers as well as the brake hoses replaced at the intervals listed below or whenever they are damaged or leaking.

- Oil seals: Replace every two years.
- Brake hoses: Replace every four years.

PERIODIC MAINTENANCE AND ADJUSTMENT

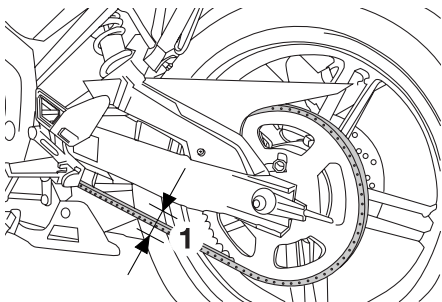
Drive chain slack

The drive chain slack should be checked before each ride and adjusted if necessary.

EAU22760

To check the drive chain slack

EAU22783



1. Drive chain slack

1. Place the motorcycle on the sidestand.

TIP

When checking and adjusting the drive chain slack, there should be no weight on the motorcycle.

2. Shift the transmission into the neutral position.

3. Move the rear wheel by pushing the motorcycle to locate the tightest portion of the drive chain, and then measure the drive chain slack as shown.

Drive chain slack:
20.0–25.0 mm (0.79–0.98 in)

4. If the drive chain slack is incorrect, adjust it as follows.

TIP

When checking the drive chain slack, the chain tensioner should not be touching the drive chain.

EAU22921

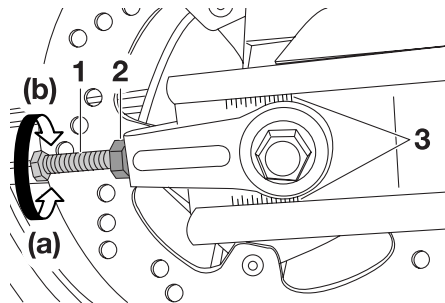
To adjust the drive chain slack

1. Remove the cotter pin from the axle nut, and then loosen the axle nut.
2. Loosen the chain puller locknut at each end of the swingarm.
3. To tighten the drive chain, turn the drive chain slack adjusting bolt on each end side of the swingarm in direction (a). To loosen the drive chain, turn the adjusting bolt on each side of the

swingarm in direction (b), and then push the rear wheel forward. **NOTICE: Improper drive chain slack will overload the engine as well as other vital parts of the motorcycle and can lead to chain slippage or breakage. To prevent this from occurring, keep the drive chain slack within the specified limits.** [ECA10571]

TIP

Using the alignment marks on each side of the swingarm, make sure that both chain pullers are in the same position for proper wheel alignment.



1. Drive chain slack adjusting bolt
2. Chain puller locknut
3. Alignment marks

PERIODIC MAINTENANCE AND ADJUSTMENT

EAU23023

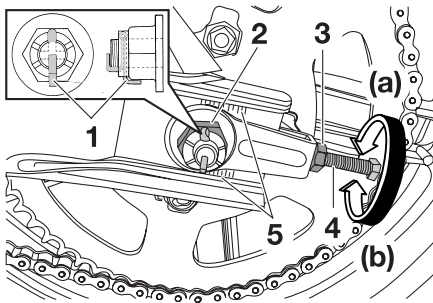
4. Tighten the locknuts, and then tighten the axle nut to the specified torque.

Tightening torque:

Axle nut:

90 Nm (9.0 m•kgf, 65.1 ft•lbf)

5. Insert a new cotter pin into the axle nut, and then bend its ends as shown. **WARNING! Always use a new cotter pin for the axle nut.** [EWA10701]



1. Cotter pin
2. Axle nut
3. Chain puller locknut
4. Drive chain slack adjusting bolt
5. Alignment marks

TIP

Make sure that two notches in the axle nut are aligned with the hole through the wheel axle, otherwise further tighten the axle nut until they are.

Cleaning and lubricating the drive chain

The drive chain must be cleaned and lubricated at the intervals specified in the periodic maintenance and lubrication chart, otherwise it will quickly wear out, especially when riding in dusty or wet areas. Service the drive chain as follows.

ECA10581

NOTICE

The drive chain must be lubricated after washing the motorcycle and riding in the rain.

1. To prevent damaging the O-rings, do not clean the drive chain with steam cleaners, high-pressure washers or inappropriate solvents. **NOTICE: To prevent damaging the O-rings, do not clean the drive chain with steam cleaners, high-pressure washers or inappropriate solvents.** [ECA11121]
2. Wipe the drive chain dry.

PERIODIC MAINTENANCE AND ADJUSTMENT

3. Do not use engine oil or any other lubricants for the drive chain, as they may contain substances that could damage the O-rings. **NOTICE: Do not use engine oil or any other lubricants for the drive chain, as they may contain substances that could damage the O-rings.** [ECA11111]

EAU23101

Checking and lubricating the cables

The operation of all control cables and the condition of the cables should be checked before each ride, and the cables and cable ends should be lubricated if necessary. If a cable is damaged or does not move smoothly, have a Yamaha dealer check or replace it. **WARNING! Damage to the outer sheath may interfere with proper cable operation and will cause the inner cable to rust. Replace a damaged cable as soon as possible to prevent unsafe conditions.** [EWA10721]

Recommended lubricant:
Engine oil

EAU23111

Checking and lubricating the throttle grip and cable

The operation of the throttle grip should be checked before each ride. In addition, the cable should be lubricated at the intervals specified in the periodic maintenance chart.

PERIODIC MAINTENANCE AND ADJUSTMENT

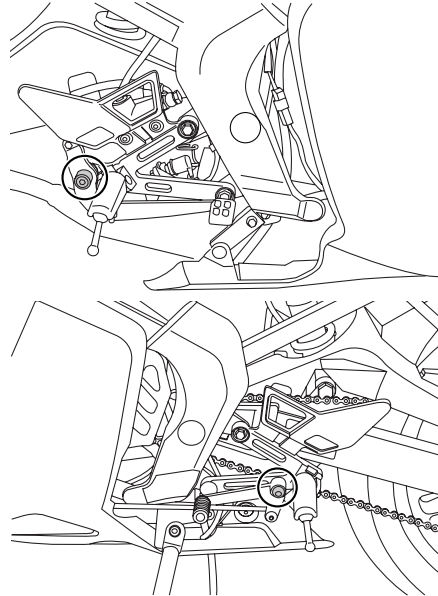
EAU23120

Adjusting the Autolube pump

The Autolube pump is a vital and sophisticated component of the engine, which must be adjusted by a Yamaha dealer at the intervals specified in the periodic maintenance and lubrication chart.

EAU44271

Checking and lubricating the brake and shift pedals



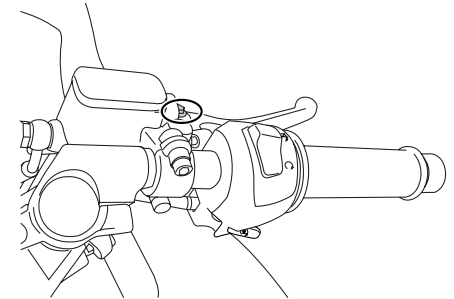
The operation of the brake and shift pedals should be checked before each ride, and the pedal pivots should be lubricated if necessary.

Recommended lubricant:
Lithium-soap-based grease

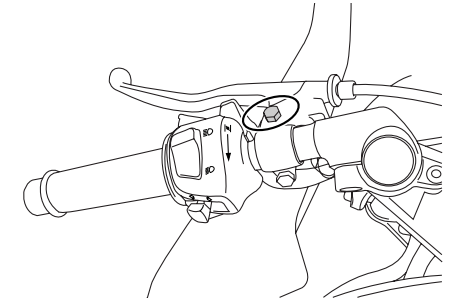
EAU23142

Checking and lubricating the brake and clutch levers

Brake lever



Clutch lever



PERIODIC MAINTENANCE AND ADJUSTMENT

The operation of the brake and clutch levers should be checked before each ride, and the lever pivots should be lubricated if necessary.

Recommended lubricants:

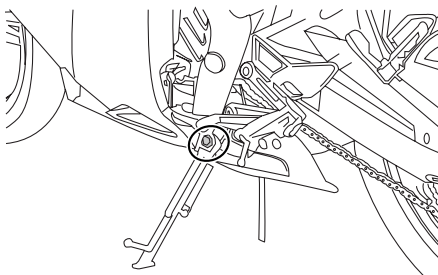
Brake lever:

Silicone grease

Clutch lever:

Lithium-soap-based grease

Checking and lubricating the sidestand



The operation of the sidestand should be checked before each ride, and the sidestand pivot and metal-to-metal contact surfaces should be lubricated if necessary.

EWA10731

WARNING

If the sidestand does not move up and down smoothly, have a Yamaha dealer check or repair it. Otherwise, the sidestand could contact the ground and distract the operator, resulting in a possible loss of control.

Recommended lubricant:

Lithium-soap-based grease

EAU23202

Checking the front fork

The condition and operation of the front fork must be checked as follows at the intervals specified in the periodic maintenance and lubrication chart.

To check the condition

Check the inner tubes for scratches, damage and excessive oil leakage.

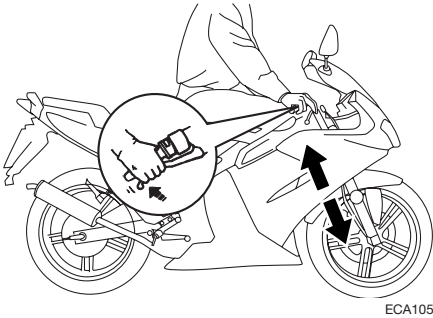
To check the operation

1. Place the vehicle on a level surface and hold it in an upright position. **WARNING! To avoid injury, securely support the vehicle so there is no danger of it falling over.** [EWA10751]
2. While applying the front brake, push down hard on the handlebars several times to check if the front fork compresses and rebounds smoothly.

EAU23272

PERIODIC MAINTENANCE AND ADJUSTMENT

EAU23283



ECA10590

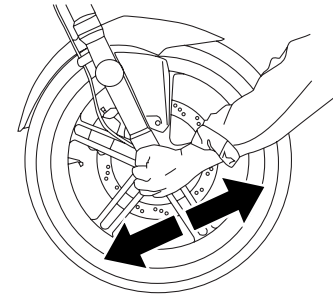
NOTICE

If any damage is found or the front fork does not operate smoothly, have a Yamaha dealer check or repair it.

Checking the steering

Worn or loose steering bearings may cause danger. Therefore, the operation of the steering must be checked as follows at the intervals specified in the periodic maintenance and lubrication chart.

1. Place a stand under the engine to raise the front wheel off the ground. **WARNING! To avoid injury, securely support the vehicle so there is no danger of it falling over.** [EWA10751]
2. Hold the lower ends of the front fork legs and try to move them forward and backward. If any free play can be felt, have a Yamaha dealer check or repair the steering.



PERIODIC MAINTENANCE AND ADJUSTMENT

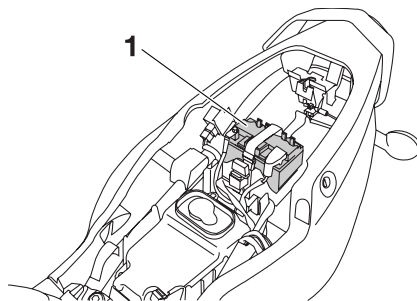
EAU23290

Checking the wheel bearings

The front and rear wheel bearings must be checked at the intervals specified in the periodic maintenance and lubrication chart. If there is play in the wheel hub or if the wheel does not turn smoothly, have a Yamaha dealer check the wheel bearings.

EAU23444

Battery



1. Battery

This model is equipped with a VRLA (Valve Regulated Lead Acid) battery. There is no need to check the electrolyte or to add distilled water. However, the battery lead connections need to be checked and, if necessary, tightened.

EWA10760

WARNING

- **Electrolyte is poisonous and dangerous since it contains sulfuric acid, which causes severe burns. Avoid any contact with skin, eyes or clothing and always shield your eyes**

when working near batteries. In case of contact, administer the following **FIRST AID**.

- **EXTERNAL:** Flush with plenty of water.
- **INTERNAL:** Drink large quantities of water or milk and immediately call a physician.
- **EYES:** Flush with water for 15 minutes and seek prompt medical attention.
- **Batteries produce explosive hydrogen gas. Therefore, keep sparks, flames, cigarettes, etc., away from the battery and provide sufficient ventilation when charging it in an enclosed space.**
- **KEEP THIS AND ALL BATTERIES OUT OF THE REACH OF CHILDREN.**

To charge the battery

Have a Yamaha dealer charge the battery as soon as possible if it seems to have discharged. Keep in mind that the battery tends to discharge more quickly if the vehicle is equipped with optional electrical accessories.

PERIODIC MAINTENANCE AND ADJUSTMENT

ECA16520

NOTICE

To charge a VRLA (Valve Regulated Lead Acid) battery, a special (constant-voltage) battery charger is required. Using a conventional battery charger will damage the battery. If you do not have access to a constant-voltage battery charger, have a Yamaha dealer charge your battery.

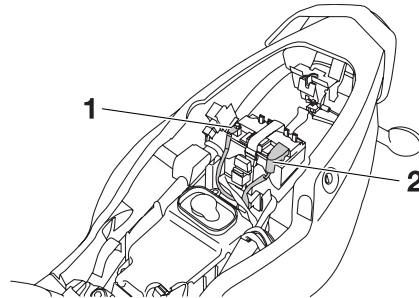
To store the battery

1. If the vehicle will not be used for more than one month, remove the battery, fully charge it, and then place it in a cool, dry place. **NOTICE: When removing the battery, be sure the key is turned to "⊗" then disconnect the negative lead before disconnecting the positive lead.**

[ECA16302]

2. If the battery will be stored for more than two months, check it at least once a month and fully charge it if necessary.
3. Fully charge the battery before installation.

4. After installation, make sure that the battery leads are properly connected to the battery terminals.



1. Negative battery lead (black)
2. Positive battery lead (red)

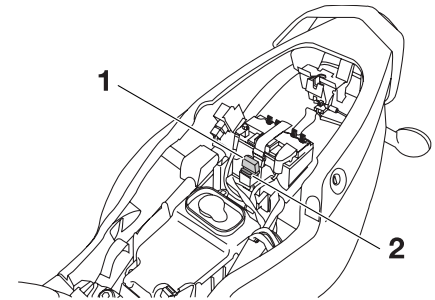
ECA16530

NOTICE

Always keep the battery charged. Storing a discharged battery can cause permanent battery damage.

EAU23482

Replacing the fuse



1. Main fuse
2. Backup fuse

The fuse holder is located under the seat. (See page 3-11).

If the fuse is blown, replace it as follows.

1. Turn the key to "⊗" and turn off all electrical circuits.
2. Remove the blown fuse, and then install a new fuse of the specified amperage. **WARNING! Do not use a fuse of a higher amperage rating than recommended to avoid causing extensive damage to the electrical system and possibly a fire.** [EWA15131]

PERIODIC MAINTENANCE AND ADJUSTMENT

Specified fuse:
10.0 A

3. Turn the key to “ \odot ” and turn on the electrical circuits to check if the devices operate.
4. If the fuse immediately blows again, have a Yamaha dealer check the electrical system.

EAU23801

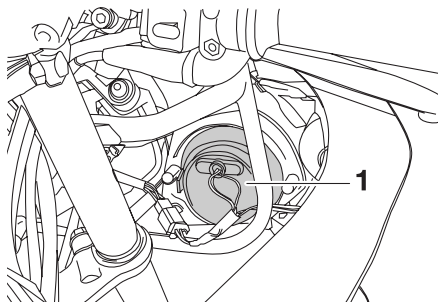
Replacing the headlight bulb

This model is equipped with a quartz bulb headlight. If the headlight bulb burns out, replace it as follows.

ECA10660

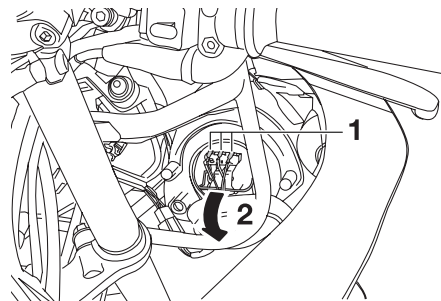
NOTICE

Do not touch the glass part of the headlight bulb to keep it free from oil, otherwise the transparency of the glass, the luminosity of the bulb, and the bulb life will be adversely affected. Thoroughly clean off any dirt and fingerprints on the headlight bulb using a cloth moistened with alcohol or thinner.



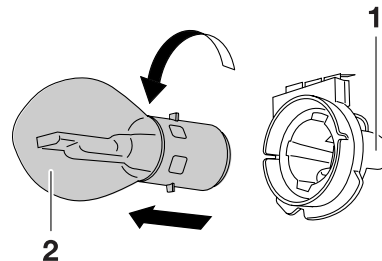
1. Headlight bulb cover

1. Remove the headlight bulb cover, and then disconnect the headlight lead connectors.



1. Headlight lead connector
2. Unhook.

2. Unhook the headlight bulb holder, and then remove the burnt out bulb.



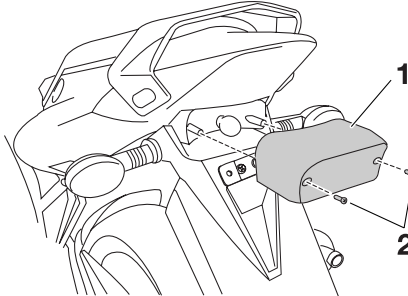
1. Headlight bulb holder
2. Headlight bulb

PERIODIC MAINTENANCE AND ADJUSTMENT

3. Place a new headlight bulb into position, and then secure it with the bulb holder.
4. Connect the headlight lead connectors, and then install the bulb cover.
5. Have a Yamaha dealer adjust the headlight beam if necessary.

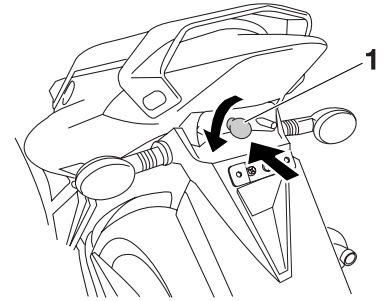
Replacing the tail/brake light bulb

EAU24133



1. Tail/brake light lens
2. Screw

2. Remove the burnt-out bulb by pushing it in and turning it counterclockwise.



1. Tail/brake light bulb
3. Insert a new bulb into the socket, push it in, and then turn it clockwise until it stops.
4. Install the lens by installing the screws. **NOTICE: Do not overtighten the screws, otherwise the lens may break.** [ECA10681]

PERIODIC MAINTENANCE AND ADJUSTMENT

EAUS1352

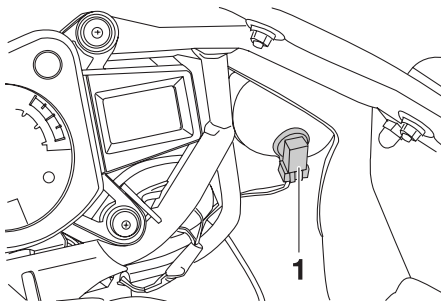
Replacing a front turn signal light bulb

ECA10670

NOTICE

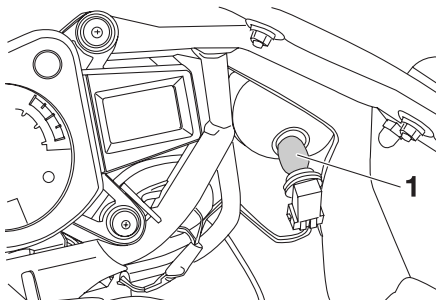
It is advisable to have a Yamaha dealer perform this job.

1. Remove the socket (together with the bulb) by turning it counterclockwise for the right turn signal and turning it clockwise for the left turn signal.



1. Turn signal light bulb socket

2. Remove the burnt out bulb by pulling it out.



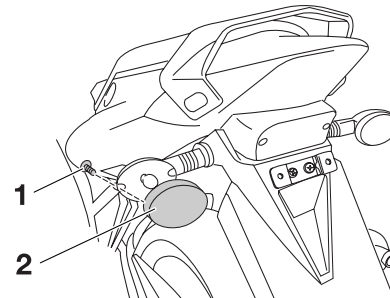
1. Turn signal light bulb

3. Insert a new bulb into the socket.
4. Install the socket (together with the bulb) by turning it clockwise for the right turn signal and turning it counterclockwise for the left turn signal.

EAUS1610

Replacing a rear turn signal light bulb

1. Remove the turn signal lens by removing the screw.

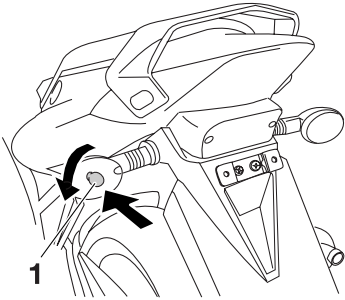


1. Screw
2. Turn signal light lens

2. Remove the burnt-out bulb by pushing it in and turning it counterclockwise.

PERIODIC MAINTENANCE AND ADJUSTMENT

EAM1461

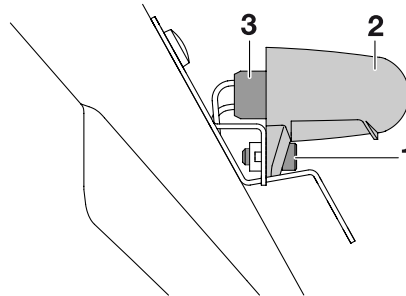


1. Turn signal light bulb

3. Insert a new bulb into the socket, push it in, and then turn it clockwise until it stops.
4. Install the lens by installing the screw. **NOTICE: Do not over-tighten the screw, otherwise the lens may break.** [ECA11191]

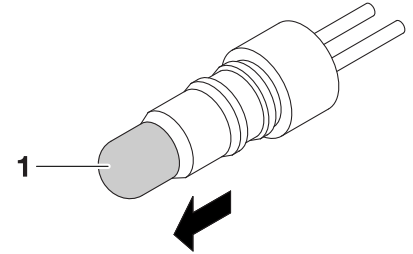
Replacing the license plate light bulb

1. Remove the license plate light cover by removing the screw.



1. Screw
2. License plate light cover
3. License plate light bulb socket

2. Remove the socket (together with the bulb) by pulling it out.



1. Bulb

3. Remove the burnt out bulb by pulling it out.
4. Insert a new bulb into the socket.
5. Install the socket (together with the bulb) by pushing it in.
6. Install the license plate light cover by installing the screw.

PERIODIC MAINTENANCE AND ADJUSTMENT

EAU25871

EWA15141

Troubleshooting

Although Yamaha motorcycles receive a thorough inspection before shipment from the factory, trouble may occur during operation. Any problem in the fuel, compression, or ignition systems, for example, can cause poor starting and loss of power.

The following troubleshooting charts represent quick and easy procedures for checking these vital systems yourself. However, should your motorcycle require any repair, take it to a Yamaha dealer, whose skilled technicians have the necessary tools, experience, and know-how to service the motorcycle properly.

Use only genuine Yamaha replacement parts. Imitation parts may look like Yamaha parts, but they are often inferior, have a shorter service life and can lead to expensive repair bills.

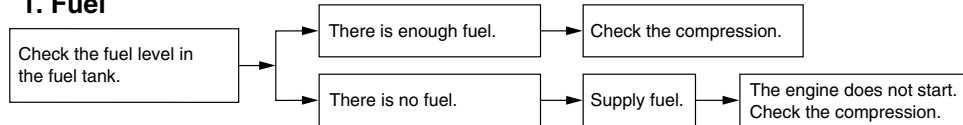
WARNING

When checking the fuel system, do not smoke, and make sure there are no open flames or sparks in the area, including pilot lights from water heaters or furnaces. Gasoline or gasoline vapors can ignite or explode, causing severe injury or property damage.

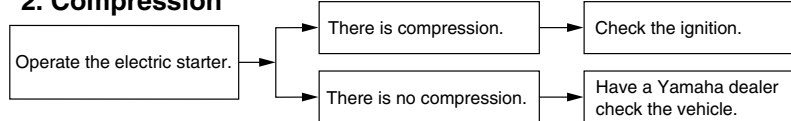
Troubleshooting charts

Starting problems or poor engine performance

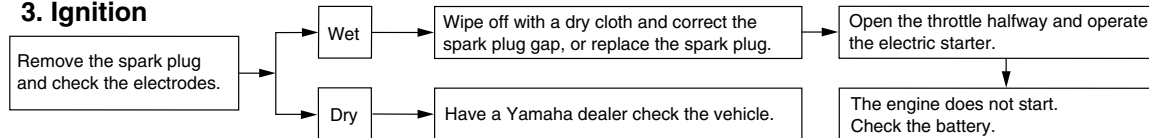
1. Fuel



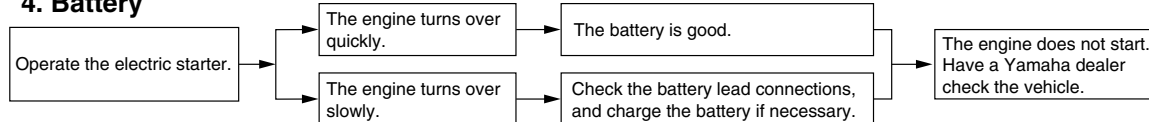
2. Compression



3. Ignition



4. Battery



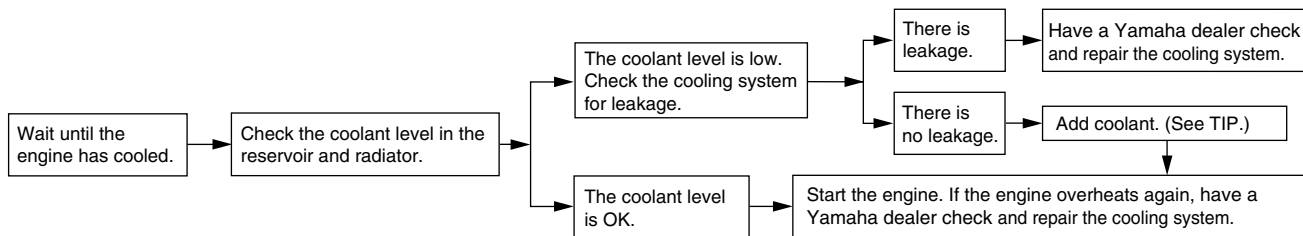
PERIODIC MAINTENANCE AND ADJUSTMENT

Engine overheating

EWA10400

WARNING

- Do not remove the radiator cap when the engine and radiator are hot. Scalding hot fluid and steam may be blown out under pressure, which could cause serious injury. Be sure to wait until the engine has cooled.
- After removing the radiator cap retaining bolt, place a thick rag, like a towel, over the radiator cap, and then slowly rotate the cap counterclockwise to the detent to allow any residual pressure to escape. When the hissing sound has stopped, press down on the cap while turning it counterclockwise, and then remove the cap.



TIP

If coolant is not available, tap water can be temporarily used instead, provided that it is changed to the recommended coolant as soon as possible.

MOTORCYCLE CARE AND STORAGE

EAU37833

EAU26004

Matte color caution

ECA15192

NOTICE

Some models are equipped with matte colored finished parts. Be sure to consult a Yamaha dealer for advice on what products to use before cleaning the vehicle.

Using a brush, harsh chemical products or cleaning compounds when cleaning these parts will scratch or damage their surface. Wax also should not be applied to any matte colored finished parts.

Care

While the open design of a motorcycle reveals the attractiveness of the technology, it also makes it more vulnerable. Rust and corrosion can develop even if high-quality components are used. A rusty exhaust pipe may go unnoticed on a car, however, it detracts from the overall appearance of a motorcycle. Frequent and proper care does not only comply with the terms of the warranty, but it will also keep your motorcycle looking good, extend its life and optimize its performance.

Before cleaning

1. Cover the muffler outlet with a plastic bag after the engine has cooled down.
2. Make sure that all caps and covers as well as all electrical couplers and connectors, including the spark plug cap, are tightly installed.
3. Remove extremely stubborn dirt, like oil burnt onto the crankcase, with a degreasing agent and a

brush, but never apply such products onto seals, gaskets, sprockets, the drive chain and wheel axles. Always rinse the dirt and degreaser off with water.

Cleaning

ECA10772

NOTICE

- Avoid using strong acidic wheel cleaners, especially on spoked wheels. If such products are used on hard-to-remove dirt, do not leave the cleaner on the affected area any longer than instructed. Also, thoroughly rinse the area off with water, immediately dry it, and then apply a corrosion protection spray.
- Improper cleaning can damage plastic parts (such as cowlings, panels, windshields, headlight lenses, meter lenses, etc.) and the mufflers. Use only a soft, clean cloth or sponge with water to clean plastic. However, if the plastic parts cannot be thoroughly cleaned with

MOTORCYCLE CARE AND STORAGE

water, diluted mild detergent with water may be used. Be sure to rinse off any detergent residue using plenty of water, as it is harmful to plastic parts.

- Do not use any harsh chemical products on plastic parts. Be sure to avoid using cloths or sponges which have been in contact with strong or abrasive cleaning products, solvent or thinner, fuel (gasoline), rust removers or inhibitors, brake fluid, antifreeze or electrolyte.
- Do not use high-pressure washers or steam-jet cleaners since they cause water seepage and deterioration in the following areas: seals (of wheel and swingarm bearings, fork and brakes), electric components (couplers, connectors, instruments, switches and lights), breather hoses and vents.
- For motorcycles equipped with a windshield: Do not use strong cleaners or hard sponges as they will cause dulling or scratching. Some cleaning com-

pounds for plastic may leave scratches on the windshield. Test the product on a small hidden part of the windshield to make sure that it does not leave any marks. If the windshield is scratched, use a quality plastic polishing compound after washing.

After normal use

Remove dirt with warm water, a mild detergent, and a soft, clean sponge, and then rinse thoroughly with clean water. Use a toothbrush or bottle-brush for hard-to-reach areas. Stubborn dirt and insects will come off more easily if the area is covered with a wet cloth for a few minutes before cleaning.

After riding in the rain, near the sea or on salt-sprayed roads

Since sea salt or salt sprayed on roads during winter are extremely corrosive in combination with water, carry out the following steps after

each ride in the rain, near the sea or on salt-sprayed roads.

TIP

Salt sprayed on roads in the winter may remain well into spring.

1. Clean the motorcycle with cold water and a mild detergent, after the engine has cooled down.
NOTICE: Do not use warm water since it increases the corrosive action of the salt.

[ECA10791]

2. Apply a corrosion protection spray on all metal, including chrome- and nickel-plated, surfaces to prevent corrosion.

After cleaning

1. Dry the motorcycle with a chamois or an absorbing cloth.
2. Immediately dry the drive chain and lubricate it to prevent it from rusting.
3. Use a chrome polish to shine chrome, aluminum and stainless-steel parts, including the exhaust system. (Even the thermally induced discoloring of stainless-steel

MOTORCYCLE CARE AND STORAGE

ECAU37221

exhaust systems can be removed through polishing.)

4. To prevent corrosion, it is recommended to apply a corrosion protection spray on all metal, including chrome- and nickel-plated, surfaces.
5. Use spray oil as a universal cleaner to remove any remaining dirt.
6. Touch up minor paint damage caused by stones, etc.
7. Wax all painted surfaces.
8. Let the motorcycle dry completely before storing or covering it.

EWA11131

WARNING

Contaminants on the brakes or tires can cause loss of control.

- **Make sure that there is no oil or wax on the brakes or tires.**
- **If necessary, clean the brake discs and brake linings with a regular brake disc cleaner or acetone, and wash the tires with warm water and a mild detergent. Before riding at higher speeds, test the motorcy-**

cle's braking performance and cornering behavior.

ECA10800

NOTICE

- **Apply spray oil and wax sparingly and make sure to wipe off any excess.**
- **Never apply oil or wax to any rubber and plastic parts, but treat them with a suitable care product.**
- **Avoid using abrasive polishing compounds as they will wear away the paint.**

TIP

- Consult a Yamaha dealer for advice on what products to use.
- Washing, rainy weather or humid climates can cause the headlight lens to fog. Turning the headlight on for a short period of time will help remove the moisture from the lens.

Storage **Short-term**

Always store your motorcycle in a cool, dry place and, if necessary, protect it against dust with a porous cover.

ECA10810

NOTICE

- **Storing the motorcycle in a poorly ventilated room or covering it with a tarp, while it is still wet, will allow water and humidity to seep in and cause rust.**
- **To prevent corrosion, avoid damp cellars, stables (because of the presence of ammonia) and areas where strong chemicals are stored.**

Long-term

Before storing your motorcycle for several months:

1. Follow all the instructions in the "Care" section of this chapter.
2. Turn the fuel cock lever to "OFF".
3. Drain the carburetor float chamber by loosening the drain bolt; this will prevent fuel deposits

MOTORCYCLE CARE AND STORAGE

from building up. Pour the drained fuel into the fuel tank.

4. Fill up the fuel tank and add fuel stabilizer (if available) to prevent the fuel tank from rusting and the fuel from deteriorating.
5. Perform the following steps to protect the cylinder, piston rings, etc. from corrosion.
 - a Remove the spark plug cap and spark plug.
 - b Pour a teaspoonful of engine oil into the spark plug bore.
 - c Install the spark plug cap onto the spark plug, and then place the spark plug on the cylinder head so that the electrodes are grounded. (This will limit sparking during the next step.)
 - d Turn the engine over several times with the starter. (This will coat the cylinder wall with oil.)
 - e Remove the spark plug cap from the spark plug, and then install the spark plug and the spark plug cap. **WARNING!** To prevent damage or injury

from sparking, make sure to ground the spark plug electrodes while turning the engine over. [EWA10951]

6. Lubricate all control cables and the pivoting points of all levers and pedals as well as of the sidestand/centerstand.
7. Check and, if necessary, correct the tire air pressure, and then lift the motorcycle so that both of its wheels are off the ground. Alternatively, turn the wheels a little every month in order to prevent the tires from becoming degraded in one spot.
8. Cover the muffler outlet with a plastic bag to prevent moisture from entering it.
9. Remove the battery and fully charge it. Store it in a cool, dry place and charge it once a month. Do not store the battery in an excessively cold or warm place [less than 0 °C (30 °F) or more than 30 °C (90 °F)]. For more information on storing the battery, see page 6-30.

TIP

Make any necessary repairs before storing the motorcycle.

Dimensions:

- Overall length:
2202 mm (86.7 in)
- Overall width:
689 mm (27.1 in)
- Overall height:
1175 mm (46.3 in)
- Seat height:
820 mm (32.3 in)
- Wheelbase:
1341 mm (52.8 in)
- Ground clearance:
151 mm (5.94 in)
- Minimum turning radius:
2900 mm (114.2 in)

Weight:

- With oil and fuel:
124.0 kg (273 lb)

Engine:

- Engine type:
Liquid cooled 2-stroke
- Cylinder arrangement:
Forward-inclined single cylinder
- Displacement:
49.7 cm³
- Bore x stroke:
40.3 x 39.0 mm (1.59 x 1.54 in)
- Compression ratio:
11.50 :1
- Starting system:
Electric starter
- Lubrication system:
Separate lubrication (Yamaha autolube)

Type:

YAMALUBE 2 or 2-stroke engine oil (JASO FC grade) or (ISO EG-C or EG-D grade)

Quantity:

1.40 L (1.48 US qt, 1.23 Imp.qt)

Transmission oil:

Oil change quantity:
0.75 L (0.79 US qt, 0.66 Imp.qt)

Type:

SAE 10W-30 type SE motor oil

Cooling system:

Coolant reservoir capacity (up to the maximum level mark):

0.29 L (0.31 US qt, 0.26 Imp.qt)

Radiator capacity (including all routes):

0.70 L (0.74 US qt, 0.62 Imp.qt)

Air filter:

Air filter element:

Wet element

Fuel:

Recommended fuel:

Regular unleaded gasoline only

Fuel tank capacity:

13.8 L (3.65 US gal, 3.04 Imp.gal)

Fuel reserve amount:

2.2 L (0.58 US gal, 0.48 Imp.gal)

Carburetor:

Manufacturer:

DELL'ORTO

Type x quantity:

PHBN 16 x 1

Spark plug (s):

Manufacturer/model:

NGK / BR9 ES

Spark plug gap:

0.6–0.7 mm (0.024–0.028 in)

Clutch:

Clutch type:

Wet, multiple-disc

Transmission:

Primary reduction system:

Helical gear

Primary reduction ratio:

71/20 (3.55)

Secondary reduction system:

Chain drive

Secondary reduction ratio:

60/11 (5.45)

Transmission type:

Constant mesh 6-speed

Operation:

Left foot operation

Gear ratio:

1st:

36/12 (3.00)

2nd:

33/16 (2.062)

3rd:

29/19 (1.526)

4th:

27/22 (1.227)

5th:

25/24 (1.041)

6th:

24/25 (0.960)

SPECIFICATIONS

Chassis:

Frame type:
Double cradle
Caster angle:
25.00 °
Trail:
90.0 mm (3.54 in)

Front tire:

Type:
Tubeless
Size:
100/80 17 (52H)
Manufacturer/model:
Pirelli / Sport Demon
Manufacturer/model:
Continental/Conti-Twist SM

Rear tire:

Type:
Tubeless
Size:
130/70 17 (62H)
Manufacturer/model:
Pirelli / Sport Demon
Manufacturer/model:
Continental/Conti-Twist SM

Loading:

Maximum load:
196 kg (432 lb)

Tire air pressure (measured on cold tires):

Loading condition:
0–90 kg (0–198 lb)
Front:
180 kPa (1.80 kgf/cm², 26 psi, 1.80 bar)

Rear:
200 kPa (2.00 kgf/cm², 29 psi, 2.00 bar)
Loading condition:
90–196 kg (198–432 lb)
Front:
190 kPa (1.90 kgf/cm², 28 psi, 1.90 bar)
Rear:
230 kPa (2.30 kgf/cm², 33 psi, 2.30 bar)

Front wheel:

Wheel type:
Cast wheel
Rim size:
17 x MT2.75

Rear wheel:

Wheel type:
Cast wheel
Rim size:
17 x MT3.50

Front brake:

Type:
Single disc brake
Operation:
Right hand operation
Recommended fluid:
DOT 4

Rear brake:

Type:
Single disc brake
Operation:
Right foot operation
Recommended fluid:
DOT 4

Front suspension:

Type:
Telescopic fork
Spring/shock absorber type:
Coil spring/oil damper
Wheel travel:
108.0 mm (4.25 in)

Rear suspension:

Type:
Unit swing
Spring/shock absorber type:
Coil spring/oil damper
Wheel travel:
89.2 mm (3.51 in)

Electrical system:

Ignition system:
DC, CDI
Charging system:
AC magneto

Battery:

Model:
GT4L-BS
Voltage, capacity:
12 V, 3.0 Ah

Headlight:

Bulb type:
Incandescence

Bulb voltage, wattage x quantity:

Headlight:
12 V, 25 W/25 W x 2
Tail/brake light:
12 V, 5.0 W/21.0 W x 1
Front turn signal light:
12 V, 16.0 W x 2

Rear turn signal light:

12 V, 10.0 W x 2

License plate light:

12 V, 5.0 W x 1

Meter lighting:

12 V, 1.2 W x 2

Neutral indicator light:

LED

Oil level warning light:

LED

Turn signal indicator light:

LED

Coolant temperature warning light:

LED

Engine trouble warning light:

LED

Fuse:

Main fuse:

10.0 A

CONSUMER INFORMATION

EAU26351

Identification numbers

Record the key identification number, vehicle identification number and model label information in the spaces provided below for assistance when ordering spare parts from a Yamaha dealer or for reference in case the vehicle is stolen.

- KEY IDENTIFICATION NUMBER:

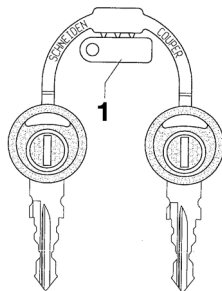
- VEHICLE IDENTIFICATION NUMBER:

- MODEL LABEL INFORMATION:

9

EAU26381

Key identification number

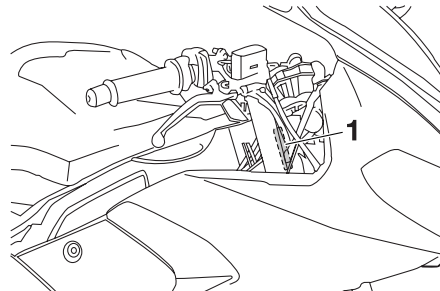


1. Key identification number

The key identification number is stamped into the key tag. Record this number in the space provided and use it for reference when ordering a new key.

EAU26400

Vehicle identification number



1. Vehicle identification number

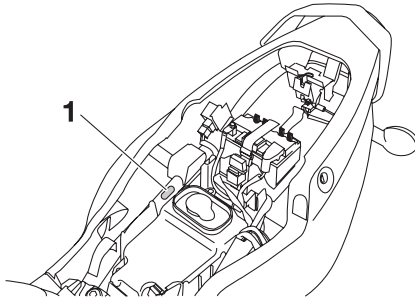
The vehicle identification number is stamped into the steering head pipe. Record this number in the space provided.

TIP

The vehicle identification number is used to identify your motorcycle and may be used to register your motorcycle with the licensing authority in your area.

EAU26480

Model label



1. Model label

The model label is affixed to the frame under the seat. (See page 3-11). Record the information on this label in the space provided. This information will be needed when ordering spare parts from a Yamaha dealer.

INDEX

- A**
Air filter element6-15
Anti-theft device housing3-12
Autolube pump, adjusting6-27
- B**
Battery6-30
Brake and clutch levers, checking and lubricating6-27
Brake and shift pedals, checking and lubricating6-27
Brake fluid level, checking6-22
Brake fluid, changing6-23
Brake lever3-6
Brake pedal3-6
Brake pedal free play, adjusting6-20
- C**
Cables, checking and lubricating6-26
Carburetor, adjusting6-16
Care7-1
Catalytic converter3-9
Clutch lever3-5
Clutch lever free play, adjusting6-19
Coolant6-13
Coolant temperature warning light3-3
Cowlings and panels, removing and installing6-8
- D**
Dimmer switch3-4
Drive chain slack6-24
Drive chain, cleaning and lubricating6-25
- E**
Engine break-in5-3
Engine idling speed6-16
Engine oil3-9
Engine stop switch3-5
Engine trouble warning light3-3
Engine, starting a warm5-2
- F**
Front and rear brake pads, checking6-21
Front brake lever free play, checking6-20
Front fork, checking6-28
Fuel3-7
Fuel cock3-10
Fuel consumption, tips for reducing5-3
Fuel tank breather/overflow hose3-8
Fuel tank cap3-6
Fuse, replacing6-31
- H**
Handlebar switches3-4
Headlight bulb, replacing6-32
Horn switch3-4
- I**
Identification numbers9-1
Ignition circuit cut-off system3-13
Indicator and warning lights3-2
- K**
Key identification number9-1
- L**
License plate light bulb, replacing6-35
- M**
Main switch/steering lock3-1
Maintenance and lubrication, periodic6-4
Maintenance, emission control system6-3
Matte color, caution7-1
Model label9-2
- N**
Neutral indicator light3-2
- O**
Oil level warning light3-2
- P**
Parking5-4
Part locations2-1
Pass switch3-4
Pre-operation check list4-2
- R**
Rear brake light switch, adjusting6-21
Rear view mirrors3-12
- S**
Safety information1-1
Seat3-11
Shift pedal3-5
Shift pedal position, adjusting6-21
Shifting5-2
Sidestand3-13
Sidestand, checking and lubricating6-28
Spark plug, checking6-10
Specifications8-1
Speedometer unit3-3
Start switch3-5
Starter (choke) lever3-11
Starting a cold engine5-1
Steering, checking6-29
Storage7-3
- T**
Tachometer3-4
Tail/brake light bulb, replacing6-33
Throttle cable free play, adjusting6-17
Throttle grip and cable, checking and lubricating6-26
Tires6-17
Tool kit6-1

| | |
|--|------|
| Transmission oil | 6-11 |
| Troubleshooting | 6-36 |
| Troubleshooting charts | 6-37 |
| Turn signal indicator light..... | 3-2 |
| Turn signal light bulb (front), replacing | 6-34 |
| Turn signal light bulb (rear), replacing..... | 6-34 |
| Turn signal switch | 3-4 |

V

| | |
|------------------------------------|-----|
| Vehicle identification number..... | 9-1 |
|------------------------------------|-----|

W

| | |
|-------------------------------|------|
| Wheel bearings, checking..... | 6-30 |
| Wheels | 6-19 |



PRINTED IN SPAIN
2008.12-NOVOPRINT, S.A.
(E)