



F225F
FL225F
F250D
FL250D
F300B
FL300B
F250D1
FL250D1
F300B1
FL300B1

OWNER'S MANUAL

▲ Read this manual carefully before operating this outboard motor.

6CE-28199-70-E0

EMU25052

Read this manual carefully before operating this outboard motor. Keep this manual onboard in a waterproof bag when boating. This manual should stay with the outboard motor if it is sold.

Important manual information

EMU25107

To the owner

Thank you for selecting a Yamaha outboard motor. This Owner's Manual contains information needed for proper operation, maintenance and care. A thorough understanding of these simple instructions will help you obtain maximum enjoyment from your new Yamaha. If you have any question about the operation or maintenance of your outboard motor, please consult a Yamaha dealer.

In this Owner's Manual particularly important information is distinguished in the following ways.



: This is the safety alert symbol. It is used to alert you to potential personal injury hazards. Obey all safety messages that follow this symbol to avoid possible injury or death.

EWM00781



WARNING

A WARNING indicates a hazardous situation which, if not avoided, could result in death or serious injury.

ECM00701

NOTICE

A NOTICE indicates special precautions that must be taken to avoid damage to the outboard motor or other property.

TIP:

A TIP provides key information to make procedures easier or clearer.

Yamaha continually seeks advancements in product design and quality. Therefore, while this manual contains the most current product information available at the time of printing, there may be minor discrepancies between your machine and this manual. If

there is any question concerning this manual, please consult your Yamaha dealer.

To ensure long product life, Yamaha recommends that you use the product and perform the specified periodic inspections and maintenance by correctly following the instructions in the owner's manual. Any damage resulting from neglect of these instructions is not covered by warranty.

Some countries have laws or regulations restricting users from taking the product out of the country where it was purchased, and it may be impossible to register the product in the destination country. Additionally, the warranty may not apply in certain regions. When planning to take the product to another country, consult the dealer where the product was purchased for further information.

If the product was purchased used, please consult your closest dealer for customer re-registration, and to be eligible for the specified services.

TIP:

The F225FET, FL225FET, F250DET, FL250DET, F300BET, FL300BET, F250DET1, FL250DET1, F300BET1, FL300BET1 and the standard accessories are used as a base for the explanations and illustrations in this manual. Therefore some items may not apply to every model.

Important manual information

EMU25121

**F225F, FL225F, F250D, FL250D, F300B,
FL300B, F250D1, FL250D1, F300B1, FL300B1**

OWNER'S MANUAL

©2010 by Yamaha Motor Co., Ltd.

1st Edition, March 2010

All rights reserved.

Any reprinting or unauthorized use

without the written permission of

Yamaha Motor Co., Ltd.

is expressly prohibited.

Printed in Japan

Table of contents

Safety information.....	1	Multiple batteries	12
Outboard motor safety	1	Propeller selection	12
Propeller.....	1	Counter rotation models.....	13
Rotating parts.....	1	Start-in-gear protection	13
Hot parts	1	Engine oil requirements	13
Electric shock.....	1	Fuel requirements.....	14
Power trim and tilt	1	Gasoline	14
Engine shut-off cord (lanyard).....	1	Anti-fouling paint.....	15
Gasoline.....	1	Outboard motor disposal	
Gasoline exposure and spills	2	requirements	15
Carbon monoxide.....	2	Emergency equipment.....	15
Modifications	2	Emission control information.....	15
Boating safety	2	North American models.....	16
Alcohol and drugs	2	Star labels	16
Personal flotation devices (PFDs).....	2	Components	18
People in the water	2	Components diagram.....	18
Passengers	2	Remote control transmitter.....	21
Overloading.....	2	Receiver	22
Avoid collisions	3	Yamaha Security System lock and	
Weather	3	unlock mode.....	22
Passenger training	3	Digital Electronic Control box.....	23
Boating safety publications	3	Digital electronic control-active	
Laws and regulations	3	indicator	23
General information	4	Digital electronic control-alert	
Identification numbers record.....	4	indicator	23
Outboard motor serial number	4	Control lever.....	24
Digital electronic control serial		Free throttle switch.....	24
number.....	4	Throttle friction adjuster.....	25
Key number.....	5	Engine shut-off cord (lanyard) and	
EC Declaration of Conformity		clip.....	26
(DoC).....	5	Main switch	26
CE Marking	5	Start/Stop switch panel	27
Read manuals and labels.....	6	All Start/Stop switch panel	27
Warning labels	6	Power trim and tilt switch on digital	
Specifications and requirements.....	9	electronic control.....	27
Specifications	9	Power trim and tilt switch on	
Installation requirements	11	bottom cowling	28
Boat horsepower rating	11	Power trim and tilt switches	
Mounting outboard motor.....	11	(twin type)	28
Yamaha Security System.....	11	Trim tab with anode.....	29
Digital electronic control		Tilt support lever for power trim	
requirements	11	and tilt model.....	29
Battery requirements.....	12	Cowling lock lever	30
Battery specifications	12	Flushing device	30
Mounting battery	12	Fuel filter	30

Table of contents

Instruments and indicators	32	Engine shut-off cord (lanyard).....	51
6Y9 Multifunction Color Gauge	32	Engine oil	51
YAMAHA SECURITY SYSTEM		Outboard motor	52
indicator	32	Flushing device	52
Engine warm-up indicator	32	Installing top cowling	52
Engine synchronization indicator	32	Checking power trim and tilt	
Overheat alert	33	system.....	54
Low oil pressure-alert.....	33	Battery.....	54
Water separator alert	34	Filling fuel.....	55
Low battery voltage-alert.....	34	Operating engine	55
Engine trouble alert.....	34	Sending fuel	55
6Y8 Multifunction meters.....	35	Starting engine.....	55
6Y8 Multifunction tachometers.....	35	Checks after starting engine	58
Yamaha Security System		Cooling water	58
information	36	Warming up engine.....	58
Low oil pressure-alert.....	37	Electric start models.....	58
Overheat alert	37	Checks after engine warm up	58
Water separator alert	38	Shifting	58
Engine trouble alert.....	38	Stop switches	58
Low battery voltage-alert.....	39	Shifting.....	58
6Y8 Multifunction speed & fuel		Stopping boat.....	59
meters	39	Trolling	59
6Y8 Multifunction speedometers.....	40	Adjusting trolling speed	59
6Y8 Multifunction fuel		Stopping engine	60
management meters	41	Procedure for stopping engine	60
Optional meters.....	41	Trimming outboard motor.....	61
Engine control system	43	Adjusting trim angle (Power trim	
Alert system	43	and tilt)	61
Digital Electronic Control alert.....	43	Adjusting boat trim	62
Overheat alert	43	Tilting up and down.....	63
Low oil pressure alert.....	44	Procedure for tilting up (power trim	
Water separator alert	45	and tilt models).....	63
Installation	47	Procedure for tilting down (power	
Installation	47	trim and tilt models).....	64
Mounting the outboard motor	47	Shallow water.....	65
Operation	49	Cruising in shallow water	65
First-time operation	49	Operating in other conditions	66
Filling engine oil	49	Maintenance	67
Breaking in engine	49	Transporting and storing outboard	
Getting to know your boat	49	motor.....	67
Checks before starting engine	49	Storing outboard motor	67
Fuel level.....	50	Procedure.....	67
Removing top cowling	50	Lubrication.....	68
Fuel system.....	50	Flushing cooling water passage	68
Controls.....	51	Checking painted surface of	

Table of contents

outboard motor	69
Periodic maintenance	69
Replacement parts	70
Severe operating conditions	70
Maintenance chart 1	71
Maintenance chart 2	73
Greasing	74
Inspecting spark plug	75
Inspecting engine idle speed	76
Changing engine oil	77
Inspecting wiring and connectors....	78
Inspecting propeller.....	79
Removing propeller.....	79
Installing propeller	80
Changing gear oil.....	81
Inspecting and replacing anode(s).....	82
Checking battery (for electric start models)	83
Connecting the battery	84
Disconnecting the battery	85
Storing the battery.....	85
Trouble Recovery	86
Troubleshooting	86
Temporary action in emergency.....	89
Impact damage	89
Running single engine (twin engines)	89
Replacing fuse	90
Power trim and tilt unit will not operate.....	91
Water separator-alert indicator blinks while cruising	91
Treatment of submerged motor.....	92

Safety information

EMU33622

Outboard motor safety

Observe these precautions at all times.

EMU36501

Propeller

People can be injured or killed if they come in contact with the propeller. The propeller can keep moving even when the motor is in neutral, and sharp edges of the propeller can cut even when stationary.

- Stop the engine when a person is in the water near you.
- Keep people out of reach of the propeller, even when the engine is off.

EMU40271

Rotating parts

Hands, feet, hair, jewelry, clothing, personal flotation device (PFD) straps, etc., can become entangled with internal rotating parts of the engine, resulting in serious injury or death.

Keep the top cowling in place whenever possible. Do not remove or replace the top cowling with the engine running.

Only operate the engine with the top cowling removed according to the specific instructions in the manual. Keep hands, feet, hair, jewelry, clothing, PFD straps, etc., away from any exposed moving parts.

EMU33640

Hot parts

During and after operation, engine parts are hot enough to cause burns. Avoid touching any parts under the top cowling until the engine has cooled.

EMU33650

Electric shock

Do not touch any electrical parts while starting or operating the engine. They can cause shock or electrocution.

EMU33660

Power trim and tilt

Body parts can be crushed between the motor and the clamp bracket when the motor is trimmed or tilted. Keep body parts out of this area at all times. Be sure no one is in this area before operating the power trim and tilt mechanism.

The power trim and tilt switches operate even when the main switch is off. Keep people away from the switches whenever working around the motor.

Never get under the lower unit while it is tilted, even when the tilt support lever is locked. Severe injury could occur if the outboard motor accidentally falls.

EMU41251

Engine shut-off cord (lanyard)

Attach the engine shut-off cord so that the engine stops if the operator falls overboard or leaves the helm. This prevents the boat from running away under power and leaving people stranded, or running over people or objects.

Always attach the engine shut-off cord to a secure place on your clothing or your arm or leg while operating. Do not remove it to leave the helm while the boat is moving. Do not attach the engine shut-off cord to clothing that could tear loose, or route the engine shut-off cord where it could become entangled, preventing it from functioning.

Do not route the engine shut-off cord where it is likely to be accidentally pulled out. If the engine shut-off cord is pulled during operation, the engine will shut off and you will lose most steering control. The boat could slow rapidly, throwing people and objects forward.

EMU33810

Gasoline

Gasoline and its vapors are highly flammable and explosive. Always, refuel ac-

According to the procedure on page 55 to reduce the risk of fire and explosion.

EMU33820

Gasoline exposure and spills

Take care not to spill gasoline. If gasoline spills, wipe it up immediately with dry rags. Dispose of rags properly.

If any gasoline spills onto your skin, immediately wash with soap and water. Change clothing if gasoline spills on it.

If you swallow gasoline, inhale a lot of gasoline vapor, or get gasoline in your eyes, get immediate medical attention. Never siphon fuel by mouth.

EMU33900

Carbon monoxide

This product emits exhaust gases which contain carbon monoxide, a colorless, odorless gas which may cause brain damage or death when inhaled. Symptoms include nausea, dizziness, and drowsiness. Keep cockpit and cabin areas well ventilated. Avoid blocking exhaust outlets.

EMU33780

Modifications

Do not attempt to modify this outboard motor. Modifications to your outboard motor may reduce safety and reliability, and render the outboard unsafe or illegal to use.

EMU33740

Boating safety

This section includes a few of the many important safety precautions that you should follow when boating.

EMU33710

Alcohol and drugs

Never operate after drinking alcohol or taking drugs. Intoxication is one of the most common factors contributing to boating fatalities.

EMU40280

Personal flotation devices (PFDs)

Have an approved PFD on board for every

occupant. Yamaha recommends that you must wear a PFD whenever boating. At a minimum, children and non-swimmers should always wear PFDs, and everyone should wear PFDs when there are potentially hazardous boating conditions.

EMU33731

People in the water

Always watch carefully for people in the water, such as swimmers, skiers, or divers, whenever the engine is running. When someone is in the water near the boat, shift into neutral and stop the engine.

Stay away from swimming areas. Swimmers can be hard to see.

The propeller can keep moving even when the motor is in neutral. Stop the engine when a person is in the water near you.

EMU33751

Passengers

Consult your boat manufacturer's instructions for details about appropriate passenger locations in your boat and be sure all passengers are positioned properly before accelerating and when operating above an idle speed. Standing or sitting in non-designated locations may result in being thrown either overboard or within the boat due to waves, wakes, or sudden changes in speed or direction. Even when people are positioned properly, alert your passengers if you must make any unusual maneuver. Always avoid jumping waves or wakes.

EMU33760

Overloading

Do not overload the boat. Consult the boat capacity plate or boat manufacturer for maximum weight and number of passengers. Be sure that weight is properly distributed according to the boat manufacturer's instructions. Overloading or incorrect weight distribution can compromise the boat's handling.

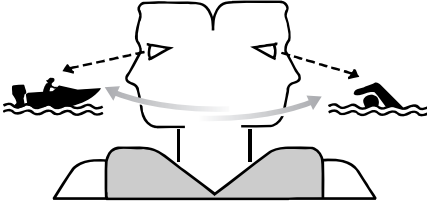
Safety information

ding and lead to an accident, capsizing or swamping.

EMU33772

Avoid collisions

Scan constantly for people, objects, and other boats. Be alert for conditions that limit your visibility or block your vision of others.



ZMU06025

Operate defensively at safe speeds and keep a safe distance away from people, objects, and other boats.

- Do not follow directly behind other boats or waterskiers.
- Avoid sharp turns or other maneuvers that make it hard for others to avoid you or understand where you are going.
- Avoid areas with submerged objects or shallow water.
- Ride within your limits and avoid aggressive maneuvers to reduce the risk of loss of control, ejection, and collision.
- Take early action to avoid collisions. Remember, boats do not have brakes, and stopping the engine or reducing throttle can reduce the ability to steer. If you are not sure that you can stop in time before hitting an obstacle, apply throttle and turn in another direction.

EMU33790

Weather

Stay informed about the weather. Check weather forecasts before boating. Avoid

boating in hazardous weather.

EMU33880

Passenger training

Make sure at least one other passenger is trained to operate the boat in the event of an emergency.

EMU33890

Boating safety publications

Be informed about boating safety. Additional publications and information can be obtained from many boating organizations.

EMU33600

Laws and regulations

Know the marine laws and regulations where you will be boating- and obey them. Several sets of rules prevail according to geographic location, but all are basically the same as the International Rules of the Road.

General information

EMU25171

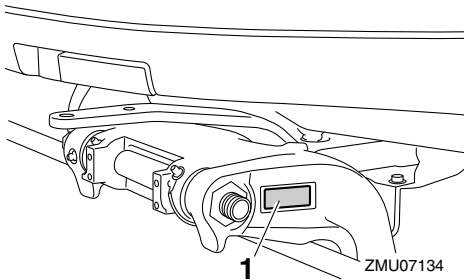
Identification numbers record

EMU25183

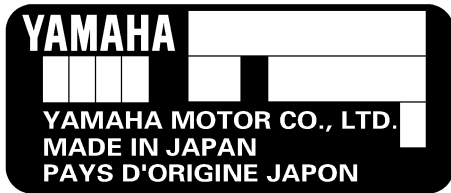
Outboard motor serial number

The outboard motor serial number is stamped on the label attached to the port side of the clamp bracket.

Record your outboard motor serial number in the spaces provided to assist you in ordering spare parts from your Yamaha dealer or for reference in case your outboard motor is stolen.



1. Outboard motor serial number location



ZMU01692

EMU34942

Digital electronic control serial number

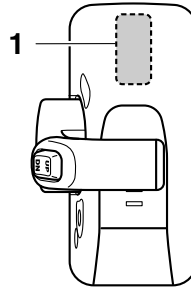
The digital electronic control serial number is stamped on the label attached to the digital electronic control box.

Record your digital electronic control serial

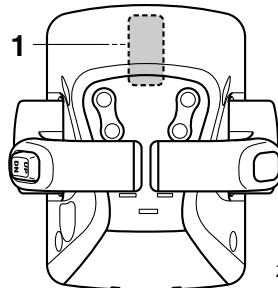
number in the spaces provided to assist you in newly connecting the digital electronic control to the outboard motor.

TIP:

Consult your Yamaha dealer if you have any questions concerning the digital electronic control serial number.

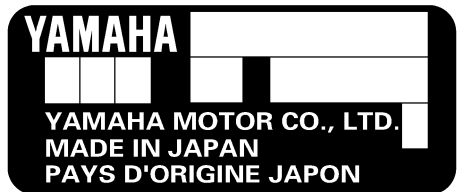


ZMU05885



ZMU05887

1. Digital electronic control serial number location



ZMU05917

General information

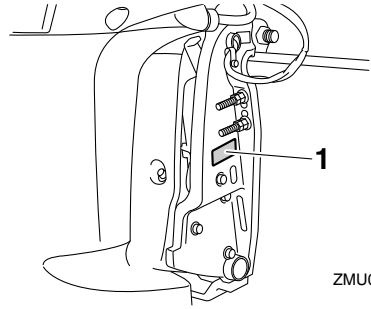
EMU41570

Key number

The key identification number is stamped on the spare key as shown in the illustration. Keep the spare key in a safe place and record this number in the space provided for reference in case that you need a new key.

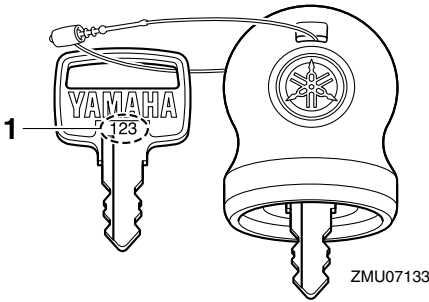


ZMU01693



ZMU07135

1. CE marking location



ZMU07133

1. Key number



ZMU06040

EMU37290

EC Declaration of Conformity (DoC)

This outboard motor conforms to certain portions of the European Parliament directive relating to machinery.

Each conformed outboard motor accompanied with EC DoC. EC DoC contains the following information;

- Name of Engine Manufacture
- Model name
- Product code of model (Approved model code)
- Code of conformed directives

EMU25203

CE Marking

Outboard motors affixed with this "CE" marking conform with the directives of; 98/37/EC, 94/25/EC - 2003/44/EC and 2004/108/EC.

EMU33522

Read manuals and labels

Before operating or working on this outboard motor:

- Read this manual.
- Read any manuals supplied with the boat.
- Read all labels on the outboard motor and the boat.

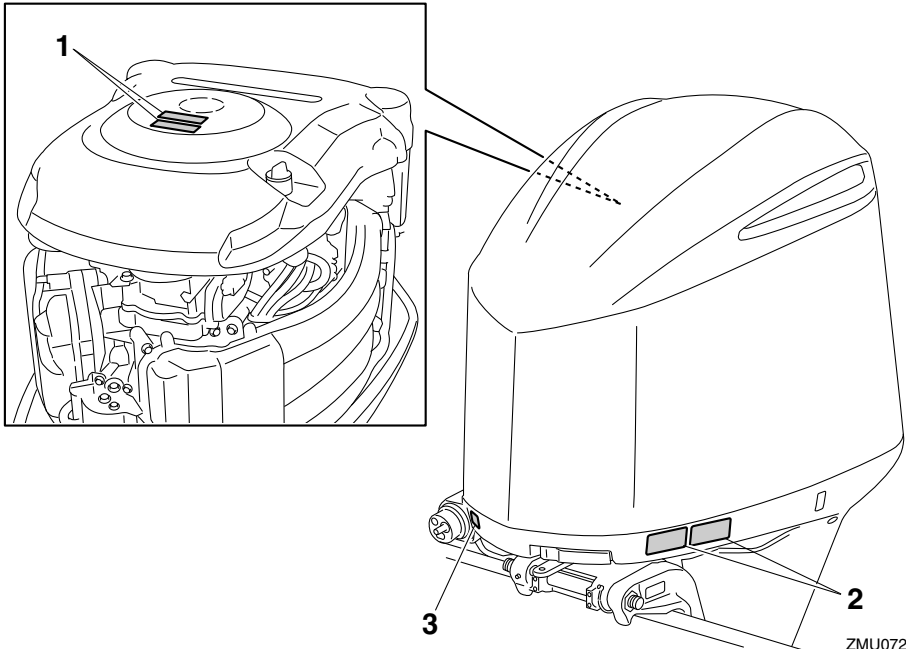
If you need any additional information, contact your Yamaha dealer.

EMU33832

Warning labels

If these labels are damaged or missing, contact your Yamaha dealer for replacements.

F225F, FL225F, F250D, FL250D, F300B, FL300B, F250D1, FL250D1, F300B1, FL300B1



ZMU07261

General information

1



2



EMU34651

Contents of labels

The above warning labels mean as follows.

1

EWM01681

⚠ WARNING

- Keep hands, hair, and clothing away from rotating parts while the engine is running.
- Do not touch or remove electrical parts when starting or during operation.

2

EWM01671

⚠ WARNING

- Read Owner's Manuals and labels.
- Wear an approved personal flotation device (PFD).
- Attach engine shut-off cord (lanyard) to your PFD, arm, or leg so the engine stops if you accidentally leave the

ZMU06191

helm, which could prevent a runaway boat.

EMU33850

Other labels

3



ZMU05710

EMU35132

Symbols

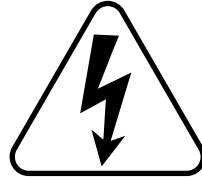
The following symbols mean as follows.

Electrical hazard

Notice/Warning



ZMU05696



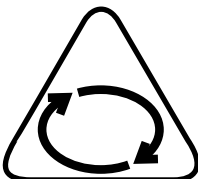
ZMU05666

Read Owner's Manual



ZMU05664

Hazard caused by continuous rotation



ZMU05665

Specifications and requirements

EMU35950

Specifications

TIP:

“**” means, select the engine oil referring to the chart of engine oil paragraph. For further information, see page 13.

EMU2821J

Dimension:

- Overall length:
958 mm (37.7 in)
- Overall width:
634 mm (25.0 in)
- Overall height X:
1890 mm (74.4 in)
- Overall height U:
2017 mm (79.4 in)
- Transom height X:
643 mm (25.3 in)
- Transom height U:
770 mm (30.3 in)
- Weight (SUS) X:
260.0 kg (573 lb)
- Weight (SUS) U:
268.0 kg (591 lb)

Performance:

- Full throttle operating range:
5000–6000 r/min
- Maximum output:
 - F225FET 165.5 kW@5500 r/min
(225 HP@5500 r/min)
 - F250DET 183.8 kW@5500 r/min
(250 HP@5500 r/min)
 - F250DET1 183.8 kW@5500 r/min
(250 HP@5500 r/min)
 - F300BET 220.6 kW@5500 r/min
(300 HP@5500 r/min)
 - F300BET1 220.6 kW@5500 r/min
(300 HP@5500 r/min)
 - FL225FET 165.5 kW@5500 r/min
(225 HP@5500 r/min)

- FL250DET 183.8 kW@5500 r/min
(250 HP@5500 r/min)
- FL250DET1 183.8 kW@5500 r/min
(250 HP@5500 r/min)
- FL300BET 220.6 kW@5500 r/min
(300 HP@5500 r/min)
- FL300BET1 220.6 kW@5500 r/min
(300 HP@5500 r/min)

- Idle speed (in neutral):
650 ±50 r/min

Engine:

- Type:
4-stroke V
- Displacement:
4169.0 cm³
- Bore × stroke:
96.0 × 96.0 mm (3.78 × 3.78 in)
- Ignition system:
TCI
- Spark plug (NGK):
LFR6A-11
- Spark plug gap:
1.0–1.1 mm (0.039–0.043 in)
- Control system:
Remote control
- Starting system:
Electric starter
- Starting carburetion system:
Electronic fuel injection
- Valve clearance (cold engine) IN:
0.17–0.24 mm (0.0067–0.0094 in)
- Valve clearance (cold engine) EX:
0.31–0.38 mm (0.0122–0.0150 in)
- Min. cold cranking amps (CCA/EN):
640.0 A
- Min. rated capacity (20HR/IEC):
80.0 Ah
- Maximum generator output:
70 A

Drive unit:

- Gear positions:

Specifications and requirements

Forward-neutral-reverse	Min. research octane:
Gear ratio:	F225FET 90
1.75(21/12)	F250DET 90
Trim and tilt system:	F250DET1 90
Power trim and tilt	F300BET 94
Propeller mark:	F300BET1 94
F225FET T	FL225FET 90
F250DET T	FL250DET 90
F250DET1 T	FL250DET1 90
F300BET T	FL300BET 94
F300BET1 T	FL300BET1 94
FL225FET TL	Recommended engine oil:
FL250DET TL	F225FET 4-stroke outboard motor oil
FL250DET1 TL	F250DET 4-stroke outboard motor oil
FL300BET TL	F250DET1 YAMALUBE 4-M FC-W or
FL300BET1 TL	4-stroke outboard motor oil
Fuel and oil:	F300BET 4-stroke outboard motor oil
Recommended fuel:	F300BET1 YAMALUBE 4-M FC-W or
F225FET Regular unleaded gasoline	4-stroke outboard motor oil
F250DET Regular unleaded gasoline	FL225FET 4-stroke outboard motor
F250DET1 Regular unleaded gaso- line	oil
F300BET Premium unleaded gaso- line	FL250DET 4-stroke outboard motor
F300BET1 Premium unleaded gaso- line	oil
FL225FET Regular unleaded gaso- line	FL250DET1 YAMALUBE 4-M FC-W
FL250DET Regular unleaded gaso- line	or 4-stroke outboard motor oil
FL250DET1 Regular unleaded gaso- line	FL300BET 4-stroke outboard motor
FL300BET Premium unleaded gaso- line	oil
FL300BET1 Premium unleaded gaso- line	FL300BET1 YAMALUBE 4-M FC-W
Min. pump octane:	or 4-stroke outboard motor oil
F250DET1 87	Recommended engine oil group 1*:
F300BET1 89	SAE 10W-30/10W-40/5W-30
FL250DET1 87	API SE/SF/SG/SH/SJ/SL
FL300BET1 89	Recommended engine oil group 2*:
	SAE 15W-40/20W-40/20W-50
	API SH/SJ/SL
	Total engine oil quantity (oil pan capacity):
	7.1 L (7.50 US qt, 6.25 Imp.qt)
	Lubrication:
	Wet sump
	Recommended gear oil:
	Hypoid gear oil SAE 90 or 80W-90,

Specifications and requirements

API GL-5

Gear oil quantity:

1.040 L (1.099 US qt, 0.915 Imp.qt)

Tightening torque for engine:

Spark plug:

28.0 Nm (2.86 kgf-m, 20.7 ft-lb)

Propeller nut:

54.0 Nm (5.51 kgf-m, 39.8 ft-lb)

Engine oil drain bolt:

27.0 Nm (2.75 kgf-m, 19.9 ft-lb)

Engine oil filter:

18.0 Nm (1.84 kgf-m, 13.3 ft-lb)

EMU33554

Installation requirements

EMU40480

Boat horsepower rating

EWM01560



Overpowering a boat can cause severe instability.

Before mounting the outboard motor, check that the horsepower of the outboard motor does not exceed the maximum horsepower rating on the capacity plate of the boat. If the boat does not have a capacity plate, consult the boat manufacturer.

EMU40490

Mounting outboard motor

EWM02500



- **Improper mounting of the outboard motor could result in hazardous conditions such as poor handling, loss of control, or fire hazards.**
 - **Because the outboard motor is very heavy, special equipment and training is required to mount it safely.**
-

Your dealer or other person experienced in proper rigging should mount the outboard motor using correct equipment and complete rigging instructions. For further information,

see page 47.

EMU41590

Yamaha Security System

ECM02460

NOTICE

The Yamaha Security System is sold in conformity with the relevant laws and regulations regarding radio wave transmission. Therefore, if this product is used outside the country where it was sold, it may violate the laws or regulations regarding radio wave transmission in the country it is used in. For details, consult your Yamaha dealer.

This outboard motor is equipped with the Yamaha Security System to protect against theft, which consists of the receiver and remote control transmitter. The engine can not be started if the security system is in the lock mode, and only be started in the unlock mode. Consult your Yamaha dealer for installation of the receiver.

EMU34952

Digital electronic control requirements

The digital electronic control be equipped with a start-in-gear protection device(s). This device prevents the engine from starting unless it is in neutral.

EWM01580



- **If the engine starts in gear, the boat can move suddenly and unexpectedly, possibly causing a collision or throwing passengers overboard.**
 - **If the engine ever starts in gear, the start-in-gear protection device is not working correctly and you should discontinue using the outboard. Contact your Yamaha dealer.**
-

Specifications and requirements

This digital electronic control unit is only available for the outboard motor which you have purchased.

Prior to use of the digital electronic control unit, set it in order to operate your outboard motor only. Otherwise, it will not be possible to operate the outboard motor.

Perform setting of the outboard motor and the digital electronic control unit in the following cases.

- If a used outboard motor is installed
- If the digital electronic control unit is replaced
- If the ECM (Electronic control module) of the used outboard motor is replaced
- If the ECM (Electronic control module) of the digital electronic control unit is replaced

Consult your Yamaha dealer for setting.

EMU25694

Battery requirements

EMU25721

Battery specifications

Minimum cold cranking amps (CCA/EN): 640.0 A Minimum rated capacity (20HR/IEC): 80.0 Ah
--

The engine cannot be started if battery voltage is too low.

EMU36290

Mounting battery

Mount the battery holder securely in a dry, well-ventilated, vibration-free location in the boat. **WARNING! Do not put flammable items, or loose heavy or metal objects in the same compartment as the battery. Fire, explosion or sparks could result.**

[EWM01820]

EMU36300

Multiple batteries

To connect multiple batteries, such as for multiple engine configurations or for an accessory battery, consult your Yamaha dealer about battery selection and correct wiring.

EMU41600

Propeller selection

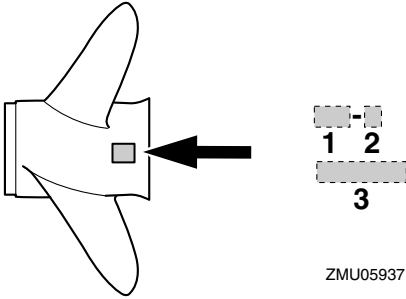
Next to selecting an outboard motor, selecting the right propeller is one of the most important purchasing decisions a boater can make. The type, size, and design of your propeller have a direct impact on acceleration, top speed, fuel economy, and even engine life. Yamaha designs and manufactures propellers for every Yamaha outboard motor and every application.

Your Yamaha dealer can help you select the right propeller for your boating needs. Select a propeller that will allow the engine to reach the middle or upper half of the operating range at full throttle with the maximum boatload. Generally, select a larger pitch propeller for a smaller operating load and a smaller pitch propeller for a heavier load. If you carry loads that vary widely, select the propeller that lets the engine run in the proper range for your maximum load but remember that you may need to reduce your throttle setting to stay within the recommended engine speed range when carrying lighter loads.

Yamaha recommends to use a propeller suitable for the "Shift Dampener System (SDS)". For further information, consult your Yamaha dealer.

To check the propeller, see page 79.

Specifications and requirements



1. Propeller diameter in inches
2. Propeller pitch in inches
3. Type of propeller (propeller mark)

or a counter rotation propeller with a standard motor. Otherwise the boat could go in the direction opposite of that expected (for example, reverse instead of forward), which could lead to an accident.

[EWM01810]

For instructions on propeller removal and installation, see page 79 and 80.

EMU35140

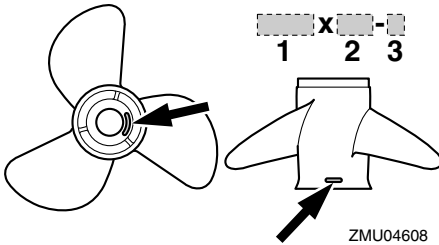
Start-in-gear protection

Yamaha outboard motors or Yamaha-approved digital electronic control units are equipped with start-in-gear protection device(s). This feature permits the engine to be started only when it is in neutral. Always select neutral before starting the engine.

EMU41950

Engine oil requirements

Select an oil grade according to the average temperatures in the area where the outboard motor will be used.



1. Propeller diameter in inches
2. Propeller pitch in inches
3. Type of propeller (propeller mark)

EMU36310

Counter rotation models

Standard outboard motors rotate clockwise. Counter rotation models rotate counterclockwise. Counter rotation models are typically used in multiple motor setups and are marked with an “L” on the gear case above the anti-ventilation plate.

On counter rotation models, be sure to use a propeller intended for counterclockwise rotation. These propellers are identified with the letter “L” after the size indication on the propeller. **WARNING! Never use a standard propeller with a counter rotation motor,**

Specifications and requirements

Recommended engine oil:

F225FET 4-stroke outboard motor oil
 F250DET 4-stroke outboard motor oil
 F250DET1 YAMALUBE 4-M FC-W or
 4-stroke outboard motor oil
 F300BET 4-stroke outboard motor oil
 F300BET1 YAMALUBE 4-M FC-W or
 4-stroke outboard motor oil
 FL225FET 4-stroke outboard motor oil
 FL250DET 4-stroke outboard motor oil
 FL250DET1 YAMALUBE 4-M FC-W or
 4-stroke outboard motor oil
 FL300BET 4-stroke outboard motor oil
 FL300BET1 YAMALUBE 4-M FC-W or
 4-stroke outboard motor oil

Recommended engine oil group 1*:

SAE 10W-30/10W-40/5W-30
 API SE/SF/SG/SH/SJ/SL

Recommended engine oil group 2*:

SAE 15W-40/20W-40/20W-50
 API SH/SJ/SL

Total engine oil quantity (oil pan capacity):

7.1 L (7.50 US qt, 6.25 Imp.qt)

Replacement engine oil quantity (at periodic maintenance):

Without oil filter replacement:

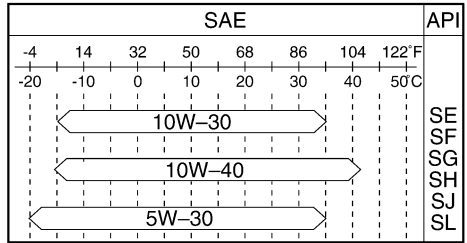
6.0 L (6.34 US qt, 5.28 Imp.qt)

With oil filter replacement:

6.3 L (6.66 US qt, 5.54 Imp.qt)

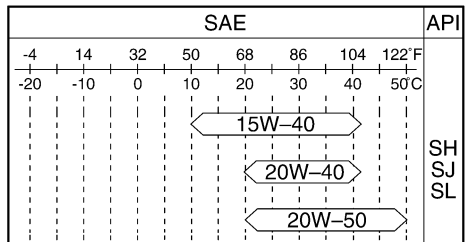
If oil grades in recommended engine oil group 1 are not available, select an alternative oil grade from recommended engine oil group 2.

Recommended engine oil group 1



ZMU06854

Recommended engine oil group 2



ZMU06855

EMU36360

Fuel requirements

EMU40200

Gasoline

Use a good quality gasoline that meets the minimum octane rating. If knocking or ping-ing occurs, use a different brand of gasoline or premium unleaded fuel.

Specifications and requirements

Recommended fuel:

F225FET Regular unleaded gasoline
F250DET Regular unleaded gasoline
F250DET1 Regular unleaded gasoline
F300BET Premium unleaded gasoline
F300BET1 Premium unleaded gasoline
FL225FET Regular unleaded gasoline
FL250DET Regular unleaded gasoline
FL250DET1 Regular unleaded gasoline
FL300BET Premium unleaded gasoline
FL300BET1 Premium unleaded gasoline

Min. research octane:

F225FET 90
F250DET 90
F250DET1 90
F300BET 94
F300BET1 94
FL225FET 90
FL250DET 90
FL250DET1 90
FL300BET 94
FL300BET1 94

ECM01981

NOTICE

- **Do not use leaded gasoline. Leaded gasoline can seriously damage the engine.**
- **Avoid getting water and contaminants in the fuel tank. Contaminated fuel can cause poor performance or engine damage. Use only fresh gasoline that has been stored in clean containers.**

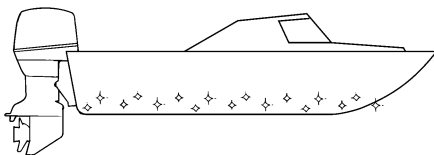
EMU36330

Anti-fouling paint

A clean hull improves boat performance. The boat bottom should be kept as clean of ma-

rine growth as possible. If necessary, the boat bottom can be coated with an anti-fouling paint approved for your area to inhibit marine growth.

Do not use anti-fouling paint which includes copper or graphite. These paints can cause more rapid engine corrosion.



ZMU05176

EMU40301

Outboard motor disposal requirements

Never illegally discard (dump) the outboard motor. Yamaha recommends consulting the dealer about discarding the outboard motor.

EMU36352

Emergency equipment

Keep the following items onboard in case there is trouble with the outboard motor.

- A tool kit with assorted screwdrivers, pliers, wrenches (including metric sizes), and electrical tape.
- Waterproof flashlight with extra batteries.
- An extra engine shut-off cord (lanyard) with clip.
- Spare parts, such as an extra set of spark plugs.

Consult your Yamaha dealer for details.

EMU39000

Emission control information

The following labels are affixed to outboard motors that conform to US regulations.

Specifications and requirements

EMU25230

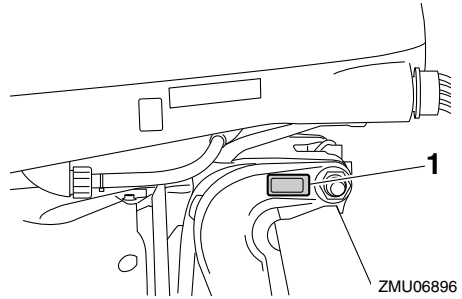
North American models

This engine conforms to U.S. Environmental Protection Agency (EPA) regulations for marine SI engines. See the label affixed to your engine for details.

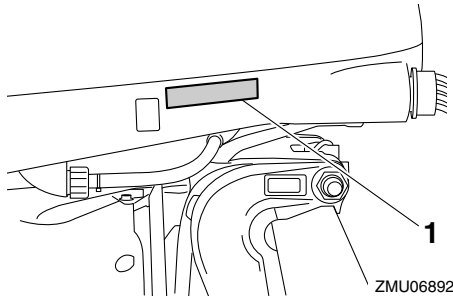
EMU31560

Approval label of emission control certificate

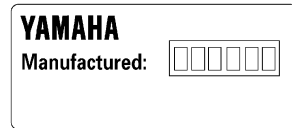
This label is attached to the bottom cowling. New Technology; (4-stroke) MFI



1. Manufactured date label location



1. Approval label location



ZMU01701

EMISSION CONTROL INFORMATION		MFI
THIS ENGINE CONFORMS TO _____ CALIFORNIA AND U.S. EPA EXHAUST REGULATIONS FOR SI MARINE ENGINES. REFER TO THE OWNER'S MANUAL FOR MAINTENANCE SPECIFICATIONS AND ADJUSTMENTS. MEETS U.S. EPA EVAP STANDARDS USING CERTIFIED COMPONENTS.		
FAMILY: _____	FELs(HC+NOx/CO): _____ g/kW-hr	MAX POWER: _____ kW
DISPLACEMENT: _____ liters	IDLE SPEED: _____ rpm IN NETRAL	
SPARK PLUG: _____	SPARK PLUG GAP (mm): _____	
FUEL: GASOLINE	VALVE LASH (mm) IN: _____ EX: _____	
YAMAHA MOTOR CO.,LTD.		

ZMU06894

EMU25262

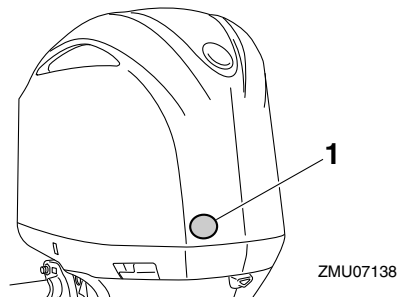
Manufactured date label

This label is attached to the clamp bracket or the swivel bracket.

EMU25273

Star labels

Your outboard motor is labeled with a California Air Resources Board (CARB) star label. See below for a description of your particular label.



1. Star labels location

Specifications and requirements

EMU40330

One Star—Low Emission

The one-star label identifies engines that meet the Air Resources Board's Personal Watercraft and Outboard marine engine 2001 exhaust emission standards. Engines meeting these standards have 75% lower emissions than conventional carbureted two-stroke engines. These engines are equivalent to the U.S. EPA's 2006 standards for marine engines.



ZMU01702

EMU40350

Three Stars—Ultra Low Emission

The three-star label identifies engines that meet the Air Resources Board's Personal Watercraft and Outboard marine engine 2008 exhaust emission standards or the Sterndrive and Inboard marine engine 2003-2008 exhaust emission standards. Engines meeting these standards have 65% lower emissions than One Star-Low-Emission engines.



ZMU01704

EMU40340

Two Stars—Very Low Emission

The two-star label identifies engines that meet the Air Resources Board's Personal Watercraft and Outboard marine engine 2004 exhaust emission standards. Engines meeting these standards have 20% lower emissions than One Star-Low-Emission engines.



ZMU01703

EMU33861

Four Stars—Super Ultra Low Emission

The four-star label identifies engines that meet the Air Resources Board's Sterndrive and Inboard marine engine 2009 exhaust emission standards. Personal Watercraft and Outboard marine engines may also comply with these standards. Engines meeting these standards have 90% lower emissions than One Star-Low-Emission engines.



ZMU05663

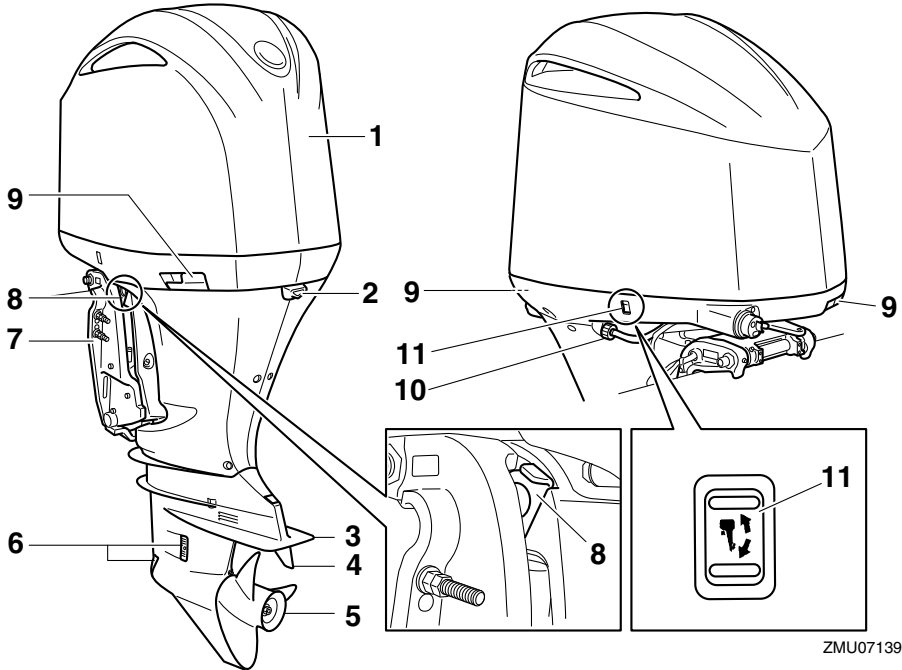
EMU2579U

Components diagram

TIP:

* May not be exactly as shown; also may not be included as standard equipment on all models (order from dealer).

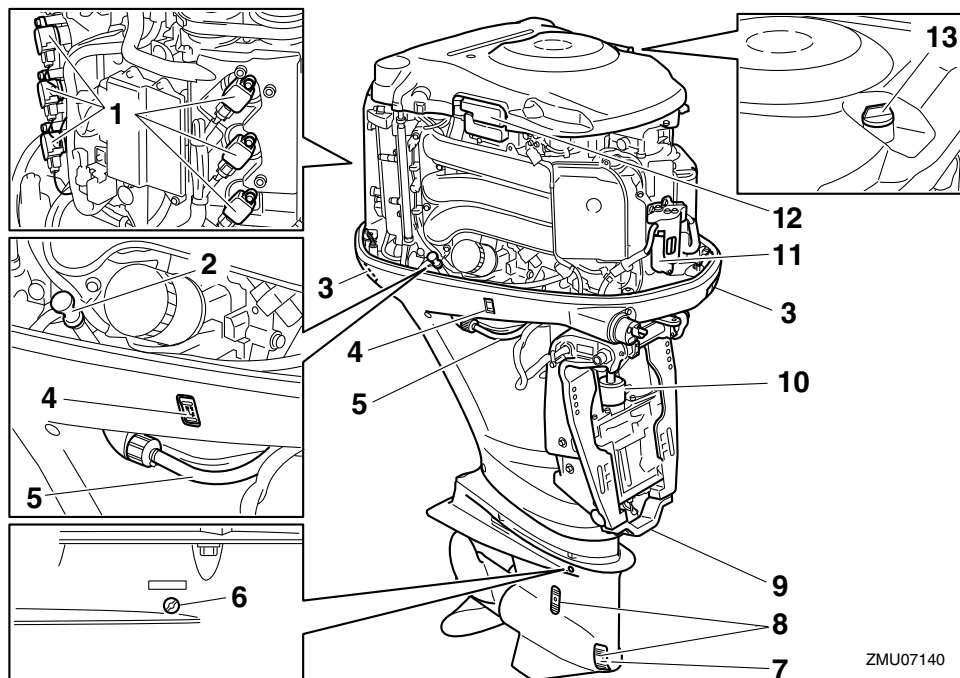
F225F, FL225F, F250D, FL250D, F300B, FL300B, F250D1, FL250D1, F300B1, FL300B1



ZMU07139

1. Top cowling
2. Idle hole
3. Anti-cavitation plate
4. Trim tab (anode)
5. Propeller*
6. Cooling water inlet
7. Clamp bracket
8. Tilt support lever
9. Cowling lock lever
10. Flushing device
11. Power trim and tilt switch

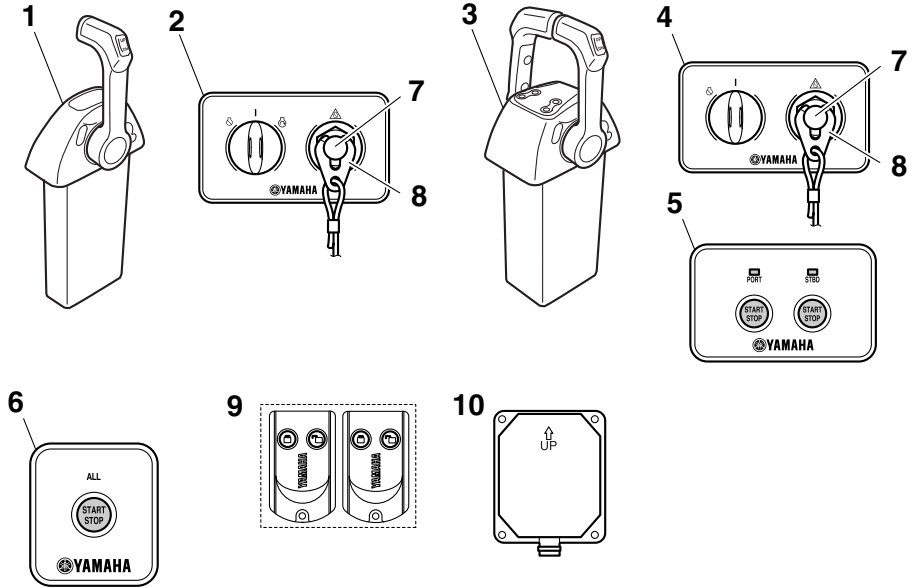
Components



1. Ignition coil
2. Oil dipstick
3. Cowling lock lever
4. Power trim and tilt switch
5. Flushing device
6. Oil level plug
7. Gear oil drain screw
8. Cooling water inlet
9. Anode
10. Power trim and tilt unit
11. Fuel filter
12. Fuse box
13. Oil filler cap

ZMU07140

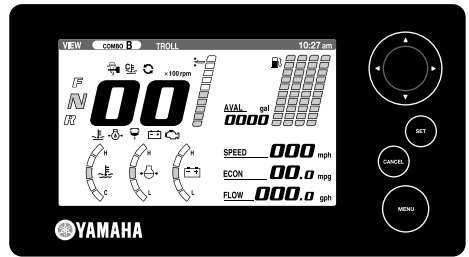
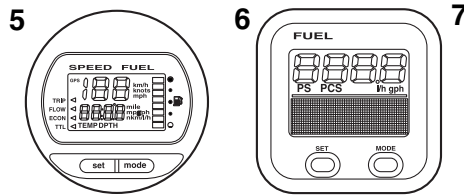
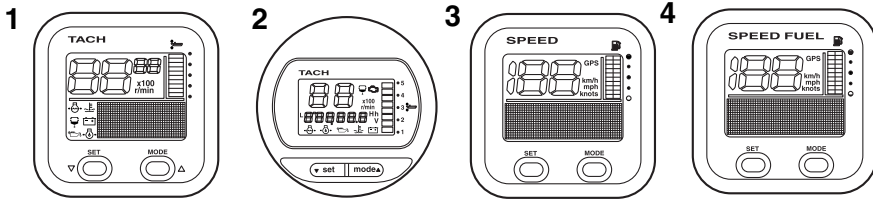
Components



ZMU07202

1. Digital electronic control (single type)*
2. Switch panel (for use with single type)*
3. Digital electronic control (twin type)*
4. Switch panel (for use with twin type)*
5. Start/Stop switch panel (for use with twin type)*
6. All Start/Stop switch panel (for use with twin type)*
7. Engine shut-off switch*
8. Clip*
9. Remote control transmitter*
10. Receiver*

Components



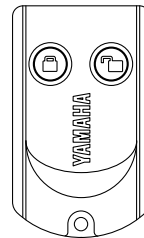
ZMU07205

1. Tachometer unit (Square type)*
2. Tachometer unit (Round type)*
3. Speedometer unit (Square type)*
4. Speed & fuel meter unit (Square type)*
5. Speed & fuel meter unit (Round type)*
6. Fuel management meter (Square type)*
7. 6Y9 Multifunction Color Gauge*

EMU38590

Remote control transmitter

The lock and unlock modes of the Yamaha Security System are selected using the remote control transmitter. While the engine is running, input from the remote control transmitter is not received.



ZMU06455

Store the remote control transmitter carefully so it will not be lost.

ECM02100

NOTICE

- The remote control transmitter is not completely waterproof. Do not submerge the transmitter or operate it underwater. If the transmitter is submerged, dry it with a soft, dry cloth,

and then check that it is operating properly. If the transmitter is not operating properly, contact a Yamaha dealer.

- Keep the remote control transmitter away from high temperatures and do not place it in direct sunlight.
- Do not drop the remote control transmitter, subject it to strong shocks, or place any heavy items on it.
- Use a soft, dry cloth to clean the remote control transmitter. Do not use detergent, alcohol, or other chemicals.
- Do not attempt to disassemble the remote control transmitter yourself. Otherwise, the transmitter may not operate properly. If the transmitter needs a new battery, contact a Yamaha dealer.
- If you have lost the remote control transmitter, consult your Yamaha dealer. Keep the least 2 transmitters at all the time. If you have lost both transmitters, consult your Yamaha dealer.

TIP:

- Since the receiver is programmed to recognize the internal code from this transmitter only, the security system setting can only be changed with this transmitter. If the remote control transmitter does not operate properly, contact a Yamaha dealer.
- Replace the battery cell after 1 year, and every two years thereafter as a standard measure.
- Refer to local hazardous waste regulations when disposing of transmitter batteries.
- The Yamaha Security System permits to register up to 5 remote control transmitters. Consult your Yamaha dealer for details.

EMU38600

Receiver

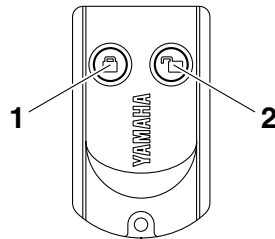
The receiver control the ECM (Electronic

control module) to prevent the engine from starting. Consult your Yamaha dealer for installation of the receiver.

EMU41610

Yamaha Security System lock and unlock mode

The Yamaha Security System settings are selected by pressing the lock or unlock button on the remote control transmitter briefly.



ZMU06456

1. Lock button
2. Unlock button

LOCK

When the lock button on the remote control transmitter is pressed briefly, the beeper sounds once. This indicates the lock mode is selected and the engine cannot be started. The lock mode is selected only when the main switch is in the “OFF” (off) position.

UNLOCK

When the unlock button on the remote control transmitter is pressed briefly, the beeper sounds twice. This indicates the unlock mode is selected and the engine can be started.

Yamaha Security System mode	Number of beeps	Main switch	Engine can be started
Lock	1 beep	“OFF”	NO
Unlock	2 beeps	“OFF”/ “ON”	YES

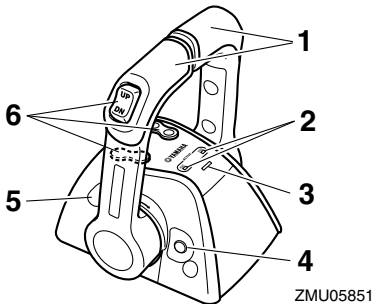
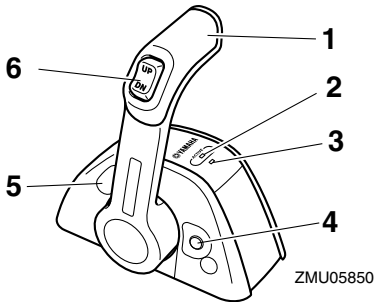
Components

Yamaha Security System mode	Digital electronic control-active indicator
Lock	Off
Unlock	Light

EMU34961

Digital Electronic Control box

The digital electronic control box actuates the shifter, the throttle and remote electrical operations. Make sure that the active indicator lights and that the digital electronic control unit is correctly connected to the outboard motor.



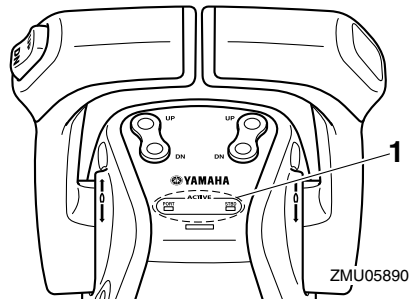
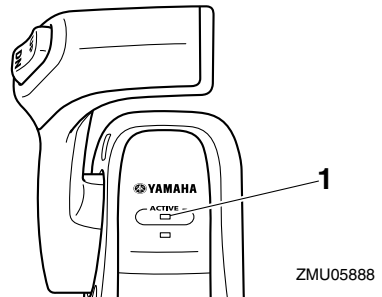
1. Control lever
2. Digital electronic control-active indicator
3. Digital electronic control-alert indicator
4. Free throttle switch
5. Throttle friction adjuster
6. Power trim and tilt switch

EMU34973

Digital electronic control-active indicator

The digital electronic control-active indicator indicates that the digital electronic control system is in the operating state.

- **Lights:** Operation of both shift and throttle possible.
- **Blinks (when the gear shift is in neutral only):** Shift not operable. Only throttle operation available.
- **Off:** Shift and throttle not operable.



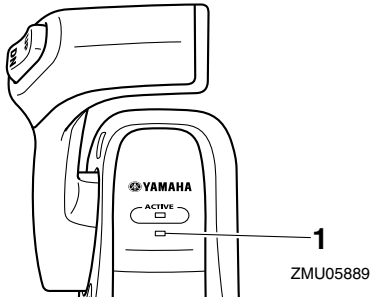
1. Digital electronic control-active indicator

EMU34983

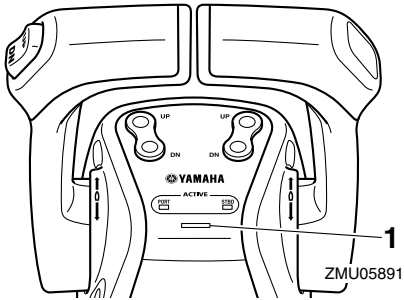
Digital electronic control-alert indicator

The digital electronic control-alert indicator lights when trouble occurs in the connection between the digital electronic control and outboard motor. Consult your Yamaha deal-

er for details.



ZMU05889



ZMU05891

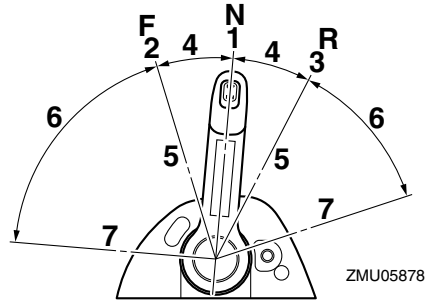
1. Digital electronic control-alert indicator

EMU34991

Control lever

Moving the lever forward from the neutral position engages forward gear. Pulling the lever back from neutral engages reverse. The engine will continue to run at idle until the lever is moved 22.5° (a detent can be felt). Moving the lever farther opens the throttle, and the engine will begin to accelerate.

Digital electronic control for twin type has the function of automatically synchronizing the engine speeds of both engines of the port and starboard sides.



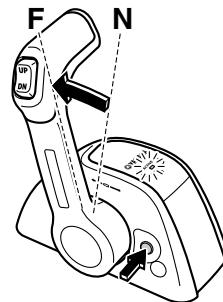
ZMU05878

1. Neutral "N"
2. Forward "F"
3. Reverse "R"
4. Shift
5. Fully closed
6. Throttle
7. Fully open

EMU35001

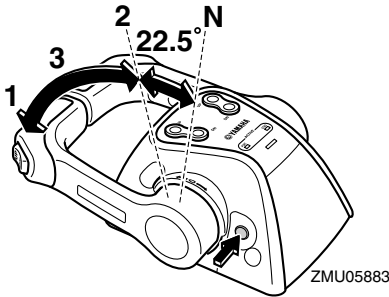
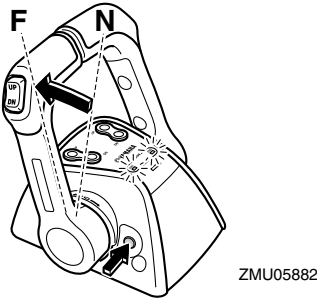
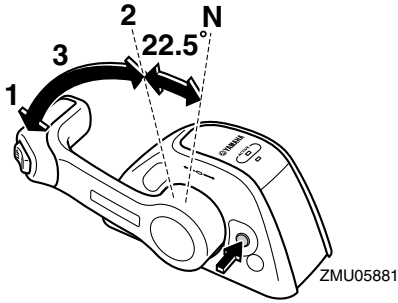
Free throttle switch

In neutral, keep this switch pressed, move the control lever forward, and release the switch after the digital electronic control-active indicator starts blinking. While the indicator blinks, you can open or close the throttle. This can also be done when the control lever is set in reverse.



ZMU05880

Components



1. Fully open
2. Fully closed
3. Free accelerator

- The free throttle switch can only be used when the control lever is in the neutral position.
- During operation the digital electronic control-active indicator changes from continuously lit to blinking. When the indicator starts blinking, the throttle begins to open

after the control lever is moved at least 22.5°.

- After using the free throttle switch, return the control lever to the neutral position. The free throttle switch will return automatically to its set position. The digital electronic control-active indicator will change from blinking to continuously lit and the digital electronic control will then engage forward and reverse normally.

EMU35250

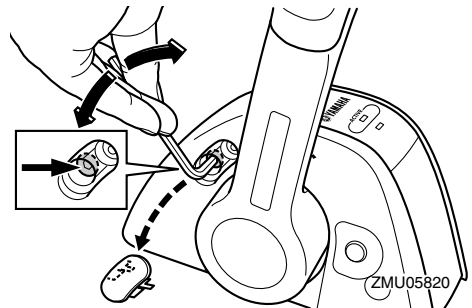
Throttle friction adjuster

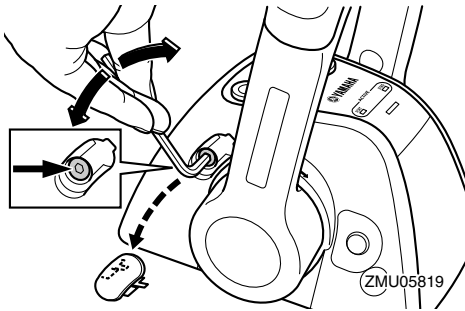
A friction device provides adjustable resistance to movement of the control lever, and can be set according to operator preference. To increase resistance, turn the adjuster clockwise. To decrease resistance, turn the adjuster counterclockwise.

EWM01770

! WARNING

- If the friction is too small, the control lever could move freely and cause an accident.
- Do not overtighten the friction adjuster. If there is too much resistance, it could be difficult to move the control lever, which could result in an accident.



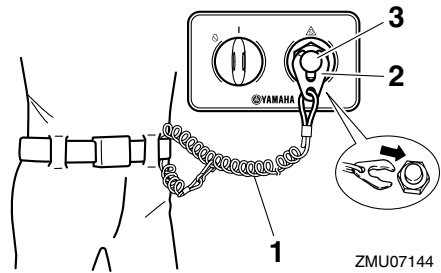
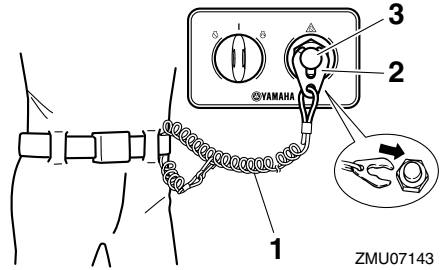


When constant speed is desired, tighten the adjuster to maintain the desired throttle setting.

EMU25994

Engine shut-off cord (lanyard) and clip

The clip must be attached to the engine shut-off switch for the engine to run. The cord should be attached to a secure place on the operator's clothing, or arm or leg. Should the operator fall overboard or leave the helm, the cord will pull out the clip, stopping ignition to the engine. This will prevent the boat from running away under power. **WARNING! Attach the engine shut-off cord to a secure place on your clothing, or your arm or leg while operating. Do not attach the cord to clothing that could tear loose. Do not route the cord where it could become entangled, preventing it from functioning. Avoid accidentally pulling the cord during normal operation. Loss of engine power means the loss of most steering control. Also, without engine power, the boat could slow rapidly. This could cause people and objects in the boat to be thrown forward.** [EWM00122]



1. Engine shut-off cord (lanyard)
2. Clip
3. Engine shut-off switch

EMU41550

Main switch

The main switch controls the ignition system; its operation is described below.

● "OFF" (off)

With the main switch in the "OFF" (off) position, the electrical circuits are off, and the key can be removed.

● "ON" (on)

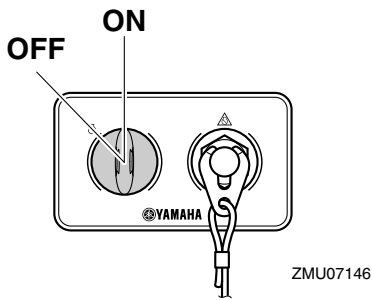
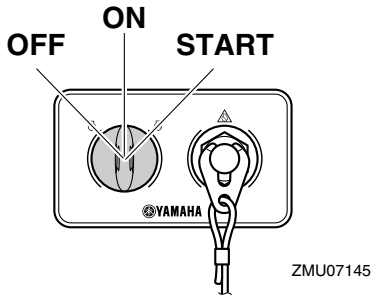
With the main switch in the "ON" (on) position, the electrical circuits are on, and the key cannot be removed. The engine can be started by pressing the Start/Stop button.

● "START" (start)

With the main switch in the "START" (start) position, the starter motor turns to start the engine. When the key is released, it returns

Components

automatically to the “ON” (on) position.

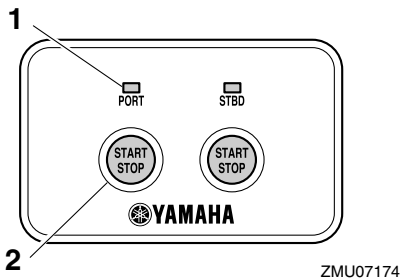


EMU41621

Start/Stop switch panel

The engine can be started or turned off by pressing the Start/Stop button. For twin type, it is possible to start or turn off individual engine. The indicator for the corresponding engine will come on.

- **PORT:**Port side engine
- **STBD:**Starboard side engine



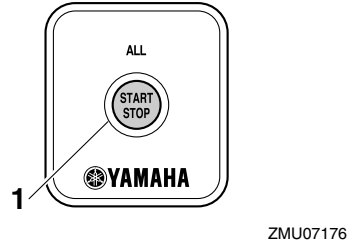
1. Indicator

2. Start/Stop button

EMU41630

All Start/Stop switch panel

For twin type, the Start/Stop button allows all engines to start or turn off.

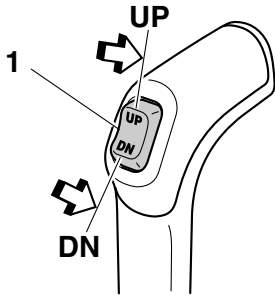


1. All Start/Stop button

EMU35153

Power trim and tilt switch on digital electronic control

The power trim and tilt system adjusts the outboard motor angle in relation to the transom. Pressing the switch “UP” (up) trims the outboard motor up, and then tilts it up. Pressing the switch “DN” (down) tilts the outboard motor down and trims it down. When the switch is released, the outboard motor will stop in its current position. For instructions on using the power trim and tilt switch, see pages 61 and 63.



ZMU05822

1. Power trim and tilt switch

EMU26154

Power trim and tilt switch on bottom cowling

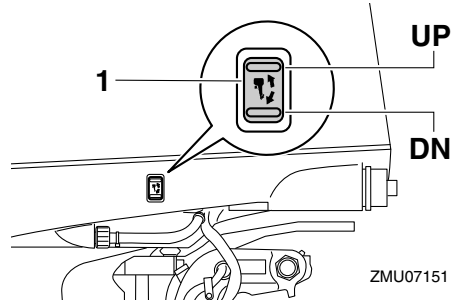
The power trim and tilt switch is located on the side of the bottom cowling. Pushing the switch “UP” (up) trims the outboard motor up, and then tilts it up. Pushing the switch “DN” (down) tilts the outboard motor down and trims it down. When the switch is released, the outboard motor will stop in its current position.

For instructions on using the power trim and tilt switch, see page 63.

EWM01031

WARNING

Use the power trim and tilt switch located on the bottom cowling only when the boat is at a complete stop with the engine off. Attempting to use this switch while the boat is moving could increase the risk of falling overboard and could distract the operator, increasing the risk of collision with another boat or an obstacle.



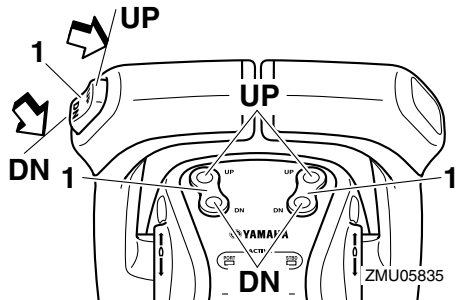
ZMU07151

1. Power trim and tilt switch

EMU35160

Power trim and tilt switches (twin type)

The power trim and tilt system adjusts the outboard motor angle in relation to the transom. Pushing the switch “UP” (up) trims the outboard motor up, and then tilts it up. Pressing the switch “DN” (down) tilts the outboard motor down and trims it down. When the switch is released, the outboard motor will stop in its current position.



ZMU05835

1. Power trim and tilt switch

- On the twin engine control, the switch on the control grip controls both outboard motors at the same time.
- For instructions on using the power trim and tilt switches, see pages 61 and 63.

Components

EMU26244

Trim tab with anode

EWM00840

WARNING

An improperly adjusted trim tab could cause difficult steering. Always test run after the trim tab has been installed or replaced to be sure steering is correct. Be sure you have tightened the bolt after adjusting the trim tab.

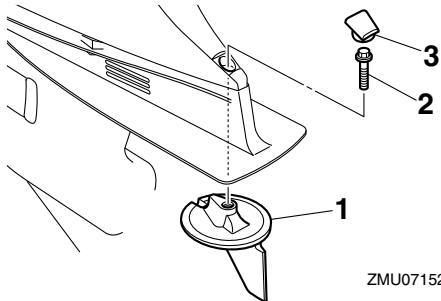
The trim tab should be adjusted so that the steering control can be turned to either the right or left by applying the same amount of force.

If the boat tends to veer to the left (port side), turn the trim tab rear end to the port side "A" in the figure. If the boat tends to veer to the right (starboard side), turn the trim tab end to the starboard side "B" in the figure.

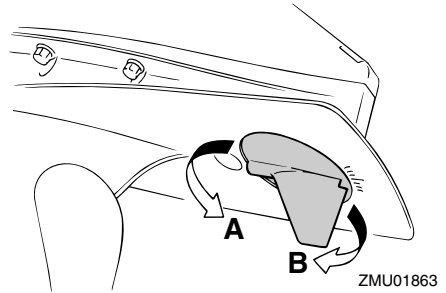
ECM00840

NOTICE

The trim tab also serves as an anode to protect the engine from electrochemical corrosion. Never paint the trim tab as it will become ineffective as an anode.



1. Trim tab
2. Bolt
3. Cap

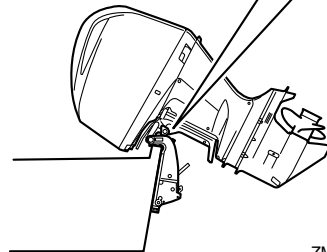
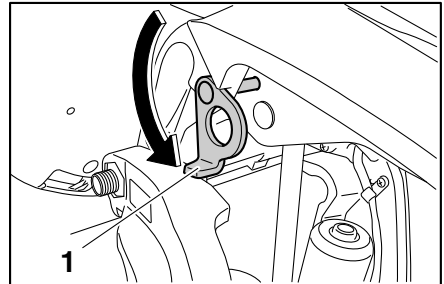


Bolt tightening torque:
42.0 Nm (4.2 kgf-m, 31 ft-lb)

EMU26341

Tilt support lever for power trim and tilt model

To keep the outboard motor in the tilted up position, lock the tilt support lever to the clamp bracket.



1. Tilt support lever

ECM00660

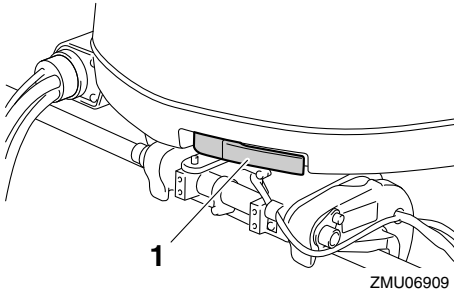
NOTICE

Do not use the tilt support lever or knob when trailering the boat. The outboard motor could shake loose from the tilt support and fall. If the motor cannot be trailered in the normal running position, use an additional support device to secure it in the tilt position.

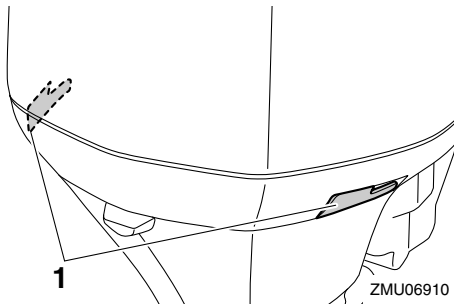
EMU40760

Cowling lock lever

The cowling lock levers are used to secure the top cowling.



1. Cowling lock lever



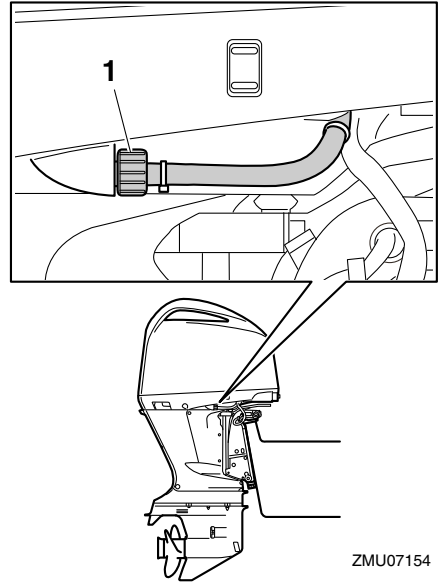
1. Cowling lock lever

EMU40802

Flushing device

The flushing device is used to clean the cooling water passages of the outboard motor

using a garden hose and tap water. For instructions on using the flushing device, see page 68.



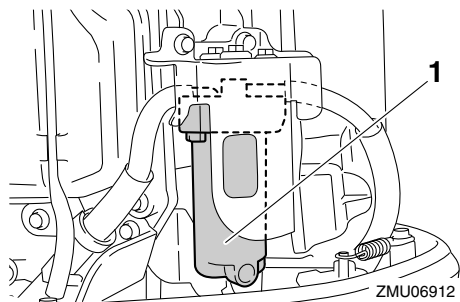
1. Flushing device

EMU41310

Fuel filter

The fuel filter functions to remove foreign material and separate water from the fuel. If water separated from the fuel exceeds a specific volume, the alert system will activate. For further information, see page 45.

Components



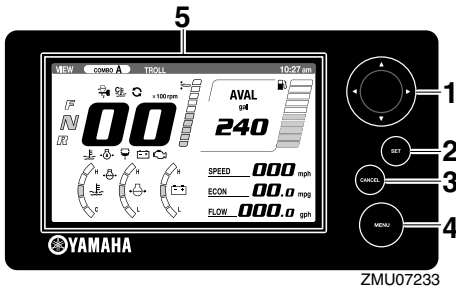
1. Fuel filter

Instruments and indicators

EMU41781

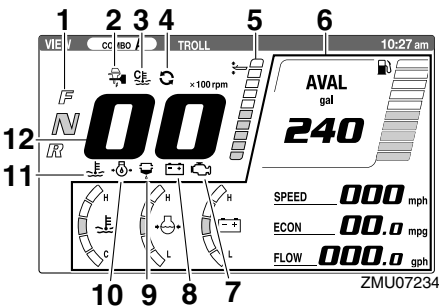
6Y9 Multifunction Color Gauge

The 6Y9 Multifunction Color Gauge (hereinafter called the Multi-Display) shows engine status and alert information. The display of optional items can be changed. This manual mainly covers the alert display. For information on other settings or changing the display, see the 6Y9 Multifunction Color Gauge owner's manual.



ZMU07233

1. Arrow keys
2. Set button
3. Cancel button
4. Menu button
5. Display



ZMU07234

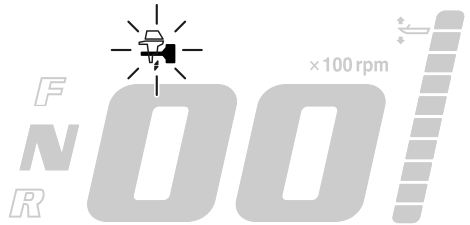
1. Shift position display
2. YAMAHA SECURITY SYSTEM indicator
3. Engine warm-up indicator
4. Engine synchronization indicator
5. Trim meter

6. Optional items
7. Engine trouble-alert indicator
8. Low battery voltage-alert indicator
9. Water separator-alert indicator
10. Low oil pressure-alert indicator
11. Overheat-alert indicator
12. Tachometer

EMU41640

YAMAHA SECURITY SYSTEM indicator

This indicator appears when the YAMAHA SECURITY SYSTEM is in lock mode. Make sure it is off before starting the engine.

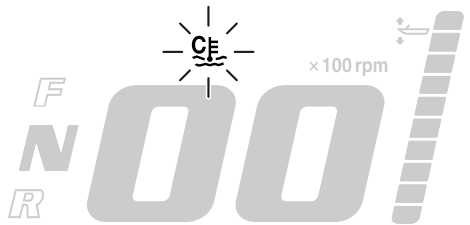


ZMU07235

EMU41650

Engine warm-up indicator

This indicator appears while the engine is being warmed up and goes off when warming-up is finished.



ZMU07236

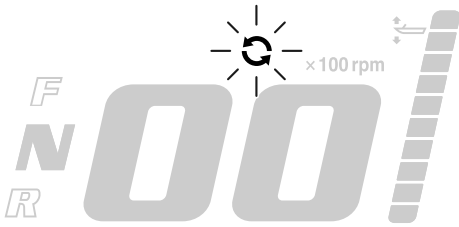
EMU41660

Engine synchronization indicator

In twin types, this display appears while the

Instruments and indicators

engines are under engine synchronization control. It goes off when engine synchronization control is released.

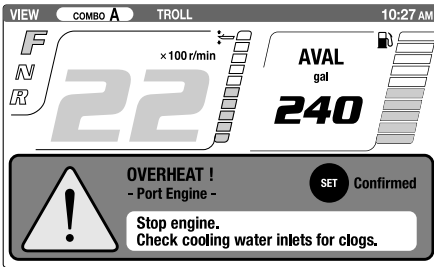


ZMU07237

EMU41680

Overheat alert

If the engine temperature rises too high while cruising, the pop-up window will appear. Press the “set” (set) button to change to normal display, and the overheat-alert indicator will start to blink. The engine speed will automatically decrease to about 2000 r/min.



ZMU07238

Stop the engine immediately if the buzzer sounds and the overheat alert device has activated. Check the cooling water inlet for clogging.

ECM01592

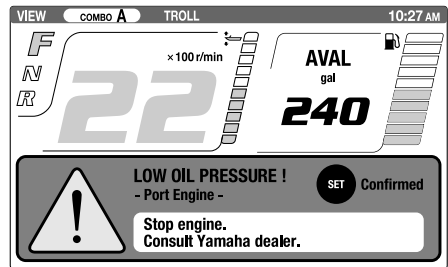
NOTICE

- Do not continue to run the engine if the overheat-alert indicator blinks. Serious engine damage will occur.
- Do not continue to operate the engine if a alert device has activated. Consult your Yamaha dealer if the problem cannot be located and corrected.

EMU41690

Low oil pressure-alert

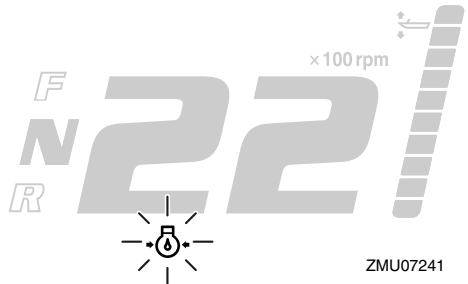
If the engine oil pressure drops too low, the pop-up window will appear. Press the “set” (set) button to change to normal display, and the low oil pressure-alert indicator will start to blink. The engine speed will automatically decrease to about 2000 r/min.



ZMU07240



ZMU07239



ZMU07241

Instruments and indicators

Stop the engine immediately if the buzzer sounds and the low oil pressure-alert device has activated. Check the engine oil quantity and replenish oil if necessary. If the alert device has activated while the appropriate engine oil quantity is maintained, consult your Yamaha dealer.

ECM01601

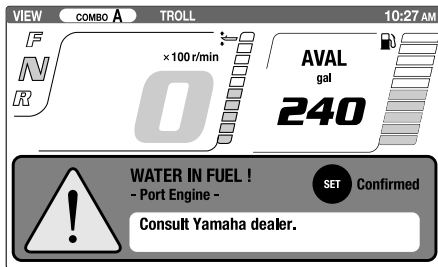
NOTICE

Do not continue to run the engine if the low oil pressure alert device has activated. Serious engine damage will occur.

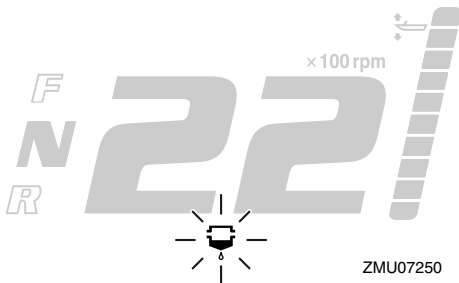
EMU41700

Water separator alert

The pop-up window will appear if water has accumulated in the water separator (fuel filter) while cruising. Press the “set” (set) button to change to normal display, and the water separator-alert indicator will start to blink.



ZMU07242



ZMU07250

Stop the engine immediately and see page

89 of this manual to drain the water from the fuel filter. Get back to the port soon and consult a Yamaha dealer immediately.

ECM00910

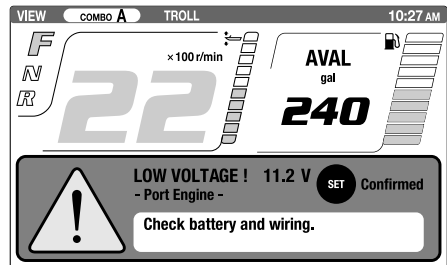
NOTICE

Gasoline mixed with water could cause damage to the engine.

EMU41720

Low battery voltage-alert

The pop-up window will be displayed if the battery voltage drops. Press the “set” (set) button will change to the normal display and the battery voltage-alert indicator will start to blink.



ZMU07251



ZMU07252

Get back to the port soon if the low battery voltage-alert device has activated. For charging the battery, consult your Yamaha dealer.

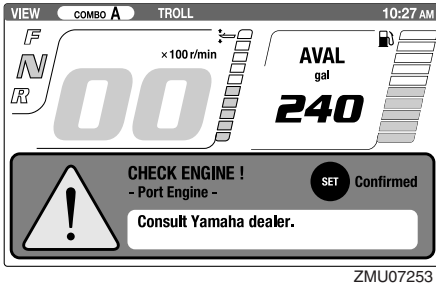
EMU41710

Engine trouble alert

The pop-up window will appear if the engine

Instruments and indicators

malfunctions while cruising. Press the “set” (set) button to change to normal display, and the engine trouble-alert indicator will start to blink.



Return to port and consult a Yamaha dealer immediately.

EMU31653

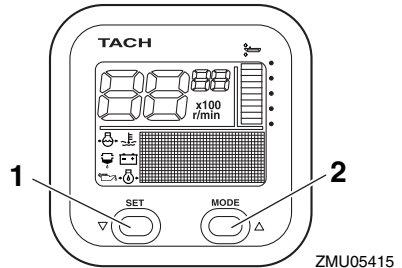
6Y8 Multifunction meters

Multifunction meters have 6 kinds of meter units; tachometer unit (square or round types), speedometer unit (square type), speed & fuel meter unit (square or round types), and fuel management meter (square type). The indicator system is slightly different between the round and square types. Check the model and type of your unit carefully. This manual describes mainly the alert indicators. For more details on setting meters or changing indicator systems, see the attached operation manual.

EMU36184

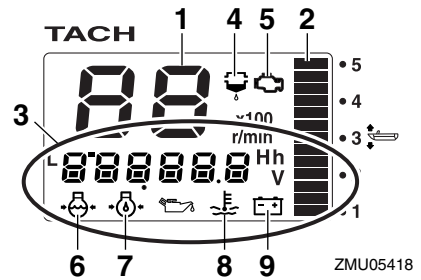
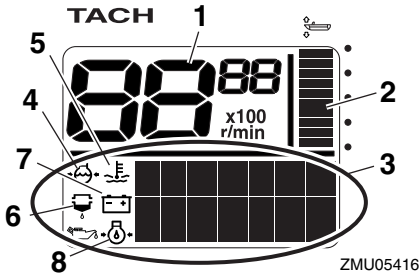
6Y8 Multifunction tachometers

The tachometer shows the engine revolutions per minute. It has functions of trim meter, adjusting trolling speed, cooling water/engine temperature display, battery voltage display, total hour/trip hour display, oil pressure display, water detection alert, engine trouble alert, and periodic maintenance notification. If the cooling water pressure sensor is installed, the unit can also show the cooling water pressure display. However, even if the cooling water pressure sensor is not installed, the cooling water pressure display can be shown by connecting an optional sensor to the unit. For the optional sensor, consult your Yamaha dealer. The tachometer unit is available in round or square types. Check your tachometer unit type.



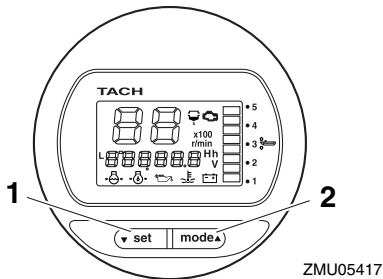
1. Set button
2. Mode button

Instruments and indicators



1. Tachometer
2. Trim meter
3. Multifunction display
4. Cooling water pressure
5. Cooling water/engine temperature
6. Water detection-alert indicator
7. Battery voltage
8. Oil pressure (4-stroke models)

1. Tachometer
2. Trim meter
3. Multifunction display
4. Water detection-alert indicator
5. Engine trouble alert/maintenance indicator
6. Cooling water pressure
7. Oil pressure (4-stroke models)
8. Cooling water/engine temperature
9. Battery voltage



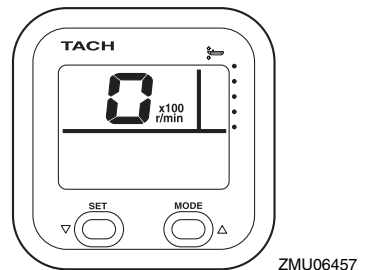
1. Set button
2. Mode button

EMU38620

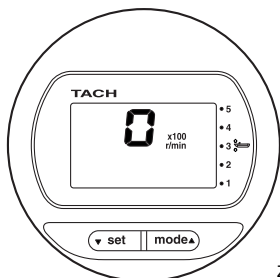
Yamaha Security System information

Turn the main switch to the "ON" (on) position, the currently selected Yamaha Security System mode (Lock / Unlock) will show on the display.

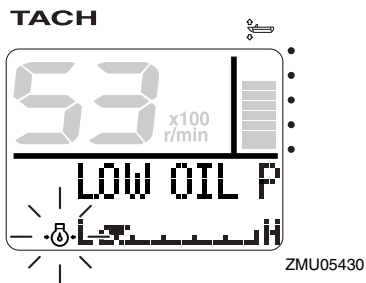
Unlock mode



Instruments and indicators

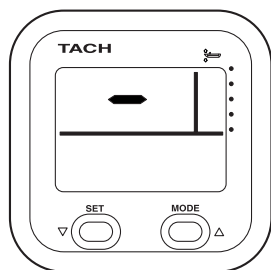


ZMU06458

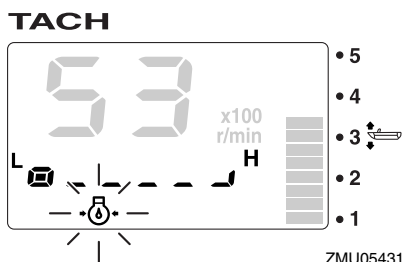


ZMU05430

Lock mode



ZMU06459



ZMU05431

Stop the engine immediately if the buzzer sounds and the low oil pressure-alert indicator blinks. Check the engine oil quantity and replenish oil if necessary. If the alert device has activated while the appropriate engine oil quantity is maintained, consult your Yamaha dealer.

ECM01601

NOTICE

Do not continue to run the engine if the low oil pressure alert device has activated. Serious engine damage will occur.

EMU36130

Low oil pressure-alert

If the engine oil pressure drops too low, the low oil pressure-alert indicator will start to blink, and the engine speed will automatically decrease to about 2000 r/min.

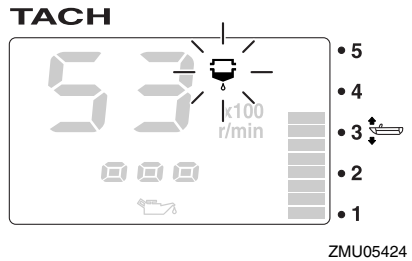
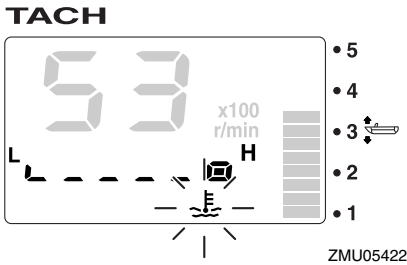
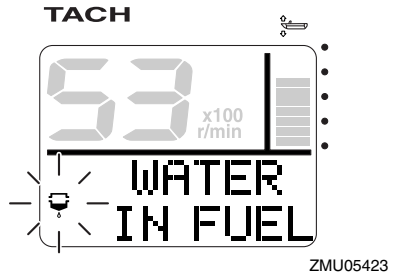
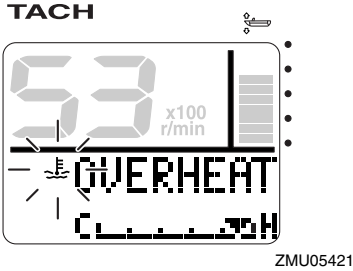
EMU36221

Overheat alert

If the engine temperature rises too high while cruising, the overheat-alert indicator will start to blink. The engine speed will automatically decrease to about 2000 r/min.

Instruments and indicators

dealer immediately.



Stop the engine immediately if the buzzer sounds and the overheat alert device has activated. Check the cooling water inlet for clogging.

ECM01592

NOTICE

- Do not continue to run the engine if the overheat-alert indicator blinks. Serious engine damage will occur.
- Do not continue to operate the engine if a alert device has activated. Consult your Yamaha dealer if the problem cannot be located and corrected.

EMU36150

Water separator alert

This indicator will blink if water has accumulated in the water separator (fuel filter) while cruising. In such an event, stop the engine immediately and see page 89 of this manual to drain the water from the fuel filter. Get back to the port soon and consult a Yamaha

ECM00910

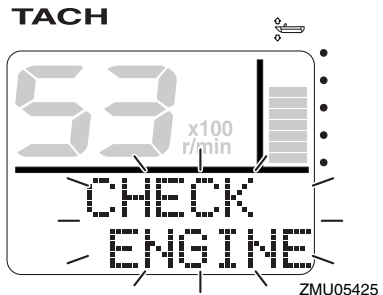
NOTICE

Gasoline mixed with water could cause damage to the engine.

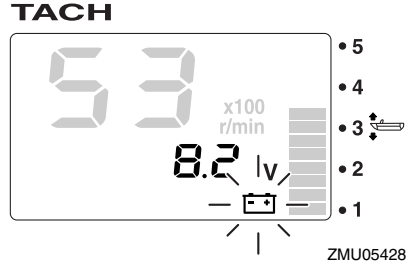
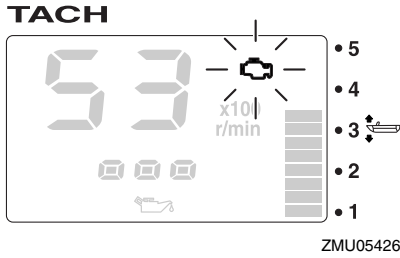
EMU36160

Engine trouble alert

This indicator will blink if the engine malfunctions while cruising. Get back to the port soon and consult a Yamaha dealer immediately.



Instruments and indicators



ECM00920

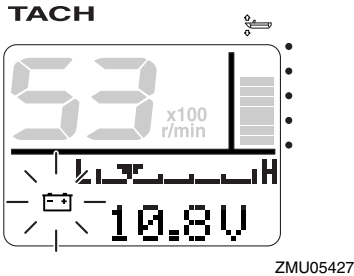
NOTICE

In such an event, the engine will not operate properly. Consult a Yamaha dealer immediately.

EMU36170

Low battery voltage-alert

If the battery voltage drops, the low battery voltage-alert indicator and the battery voltage value will start to blink. Get back to the port soon if the low battery voltage-alert device has activated. For charging the battery, consult your Yamaha dealer.



EMU36232

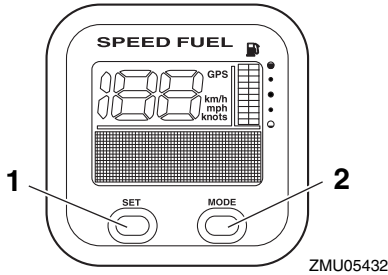
6Y8 Multifunction speed & fuel meters

The speed & fuel meter unit shows the boat speed and has the functions of fuel meter, total fuel consumption display, fuel economy display, fuel flow display, and system voltage display. The chosen display is selected by using the “set” (set) and “mode” (mode) buttons as described in this section. If the speed sensor is installed, the unit can also show the trip display. However, even if the speed sensor is not installed, the trip display can be shown by connecting an optional sensor to the unit. In addition, if optional sensors are connected to the unit, water surface temperature display, depth display, and clock will also be available. For the optional sensors, consult your Yamaha dealer.

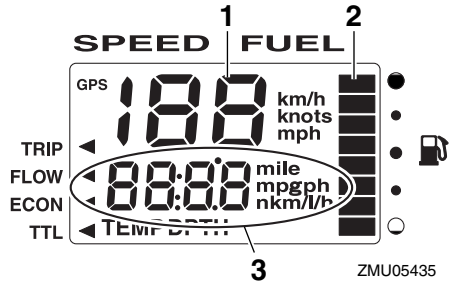
The speed & fuel meter unit is available in round or square types. Check your speed & fuel meter unit type for operation information. After the main switch is first turned on, all the displays come on as a test. After a few seconds, the gauge will change to normal operation.

For more information, see the operation manual originally supplied with the meter.

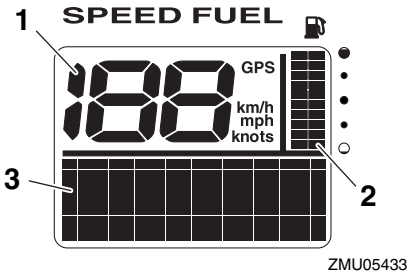
Instruments and indicators



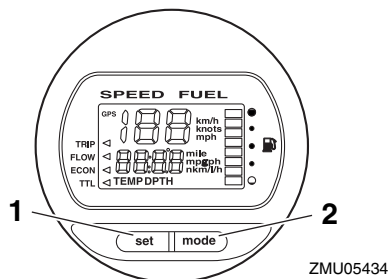
1. Set button
2. Mode button



1. Speedometer
2. Fuel meter
3. Multifunction display



1. Speedometer
2. Fuel meter
3. Multifunction display



1. Set button
2. Mode button

EMU36241

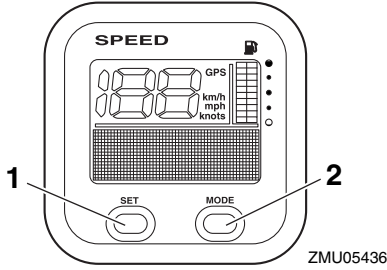
6Y8 Multifunction speedometers

The speedometer unit shows the boat speed and has functions of fuel meter and system voltage display. The chosen display is selected by using the “set” (set) and “mode” (mode) buttons as described in this section. In addition, the speedometer can show the desired unit of measurement such as km/h, mph, or knots. If the speed sensor is installed, the unit can also show the trip display. However, even if the speed sensor is not installed, the trip display can be shown by connecting an optional sensor to the unit. In addition, if optional sensors are connected to the unit, water surface temperature display, depth display, and clock will also be available. For the optional sensors, consult your Yamaha dealer.

After the main switch is first turned on, all the displays come on as a test. After a few seconds, the gauge will change to normal operation.

For more information, see the operation manual originally supplied with the meter.

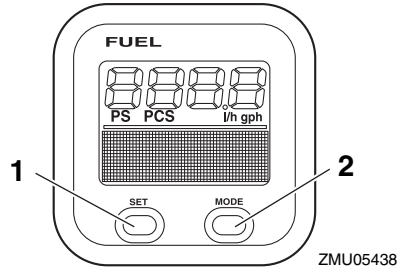
Instruments and indicators



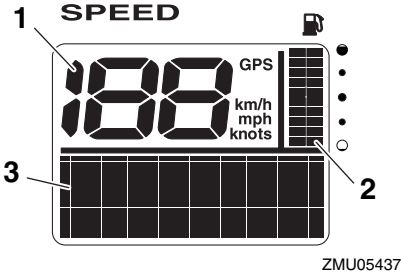
1. Set button
2. Mode button

ation.

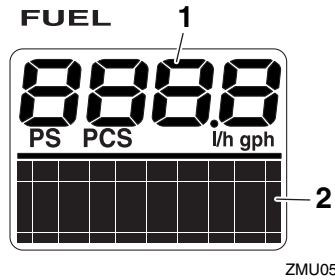
For more information, see the operation manual originally supplied with the meter.



1. Set button
2. Mode button



1. Speedometer
2. Fuel meter
3. Multifunction display



1. Fuel flow meter
2. Multifunction display

EMU36250

6Y8 Multifunction fuel management meters

The fuel management meter has the functions of fuel flow meter, total consumption display, fuel economy display, and remaining fuel display. The chosen display is selected by using the “set” (set) and “mode” (mode) buttons as described in this section. For more information, see the operation manual originally supplied with the meter.

After the main switch is first turned on, all the displays come on as a test. After a few seconds, the gauge will change to normal oper-

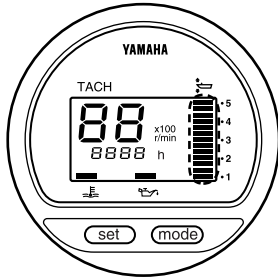
EMU41730

Optional meters

Various meters can be installed onto the out-board motor according to user preference. For details, consult your Yamaha dealer.

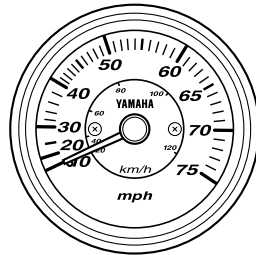
Instruments and indicators

Digital tachometer



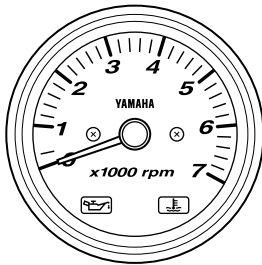
ZMU07244

Analog speedometer



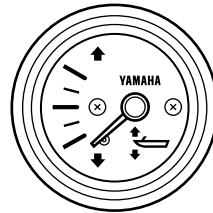
ZMU04647

Analog tachometer



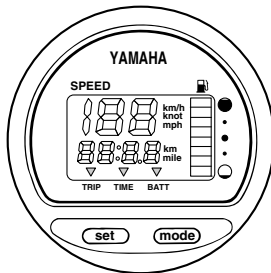
ZMU07245

Trim meter



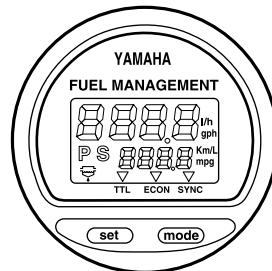
ZMU04581

Digital speedometer



ZMU07246

Fuel management meter



ZMU07249

Engine control system

EMU26803

Alert system

ECM00091

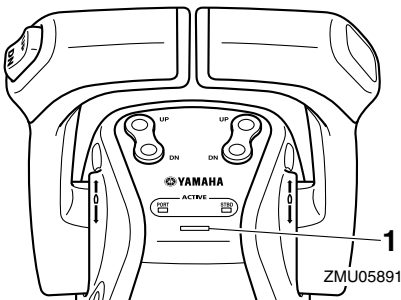
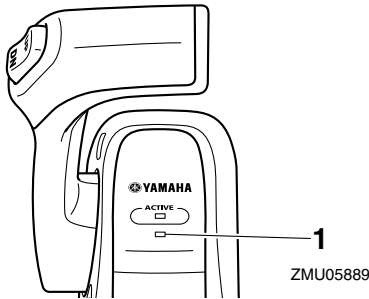
NOTICE

Do not continue to operate the engine if a alert device has activated. Consult your Yamaha dealer if the problem cannot be located and corrected.

EMU35183

Digital Electronic Control alert

If during operation of the outboard motor any communication troubles between the digital electronic control and the outboard motor occur, the alert indicator will light. Even if there is no symptom of trouble on shifting or throttle, get back to the port soon and have a Yamaha dealer inspect or repair the outboard motor.



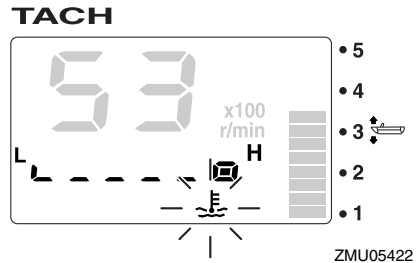
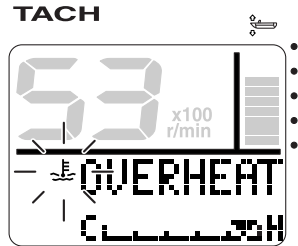
1. Digital electronic control-alert indicator

EMU41922

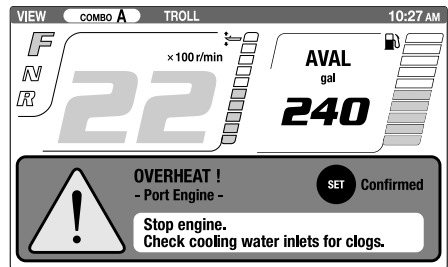
Overheat alert

This engine has an overheat-alert device. If the engine temperature rises too high, the alert device will activate.

- The engine speed will automatically decrease to about 2000 r/min.
- The overheat-alert indicator of the 6Y8 Multifunction Tachometer will light or blink.

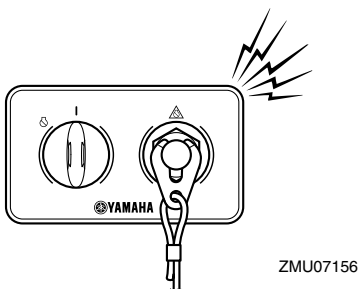
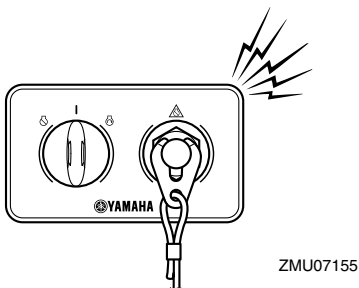


- The pop-up window will appear on the Multi-Display.



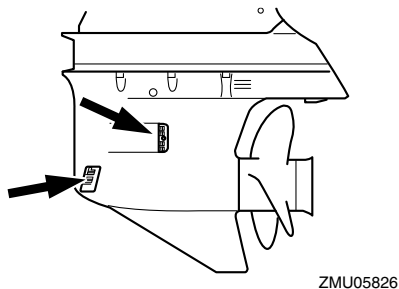
Engine control system

- The buzzer will sound.



If the alert system has activated, stop the engine and check the cooling water inlets:

- Check trim angle to be sure that the cooling water inlet is submerged.
- Check the cooling water inlet for clogging.



Twin engine drive users:

If the overheat alert system of one engine activates, the engine will slow down. To switch off the alert activation on the engine not affected by overheating, turn off the main

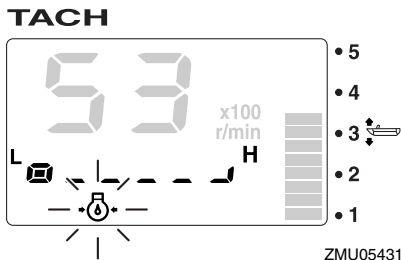
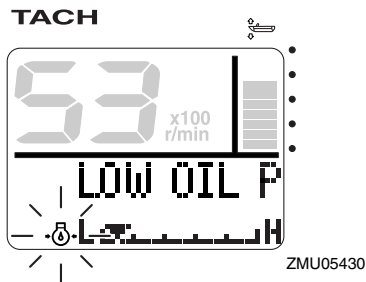
switch of the engine overheating. If the alert system has activated, stop the engine and tilt the outboard motor up to check the cooling water inlet for clogging. If the alert system has still activated, tilt the overheated outboard motor up and return to the port.

EMU41932

Low oil pressure alert

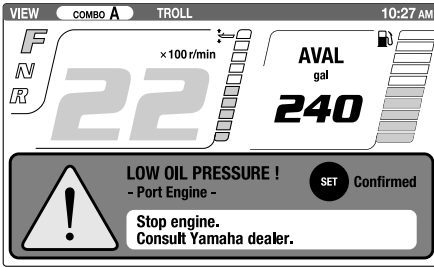
If the oil pressure drops too low, the alert device will activate.

- The engine speed will automatically decrease to about 2000 r/min.
- The low oil pressure-alert indicator of the 6Y8 Multifunction Tachometer will light or blink.



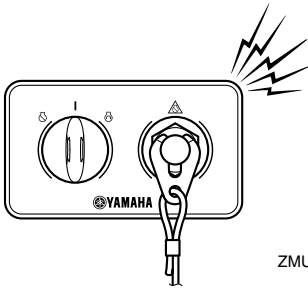
- The pop-up window will appear on the Multi-Display.

Engine control system

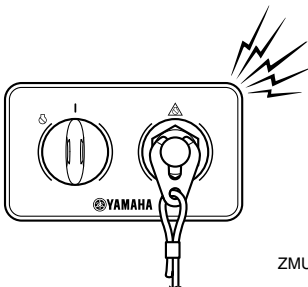


ZMU07240

- The buzzer will sound.



ZMU07155



ZMU07156

If the alert device has activated, stop the engine as soon as it is safe to do so. Check the oil level and add oil as needed. If the oil level is correct and the alert device does not switch off, consult your Yamaha dealer.

Twin engine drive users:

If the low oil pressure alert system of one engine activates, both engines will slow down and the buzzer will sound. To switch off the alert activation on the engine not affected by

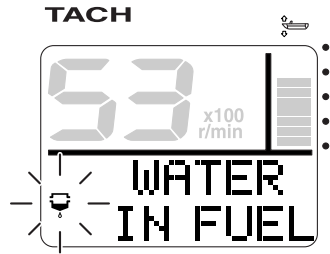
low oil pressure, turn off the main switch of the engine with the low oil pressure.

EMU41941

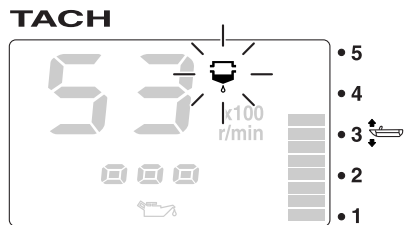
Water separator alert

The outboard motor is equipped with a water separator alert system. If water separated from the fuel exceeds a specific volume, the alert system will activate.

- The water separator-alert indicator of the 6Y8 Multifunction Tachometer will come on or blink.

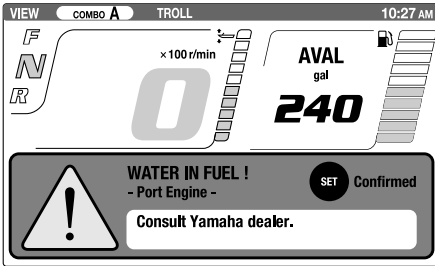


ZMU05423



ZMU05424

- The pop-up window will appear on the Multi-Display.



- The buzzer will sound intermittently when the control lever is in the neutral position. If the alert system has activated, stop the engine immediately and see page 89 of this manual to drain the water from the fuel filter. Get back to the port soon and consult a Yamaha dealer immediately.

ECM02470

NOTICE

Although the buzzer will stop when the engine is started and the control lever is moved to the forward or reverse position, do not use the outboard motor. Otherwise, serious engine damage could occur.

Installation

EMU26902

Installation

The information presented in this section is intended as reference only. It is not possible to provide complete instructions for every possible boat and motor combination. Proper mounting depends in part on experience and the specific boat and motor combination.

EWMO1590

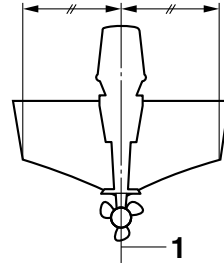
WARNING

- **Overpowering a boat could cause severe instability. Do not install an outboard motor with more horsepower than the maximum rating on the capacity plate of the boat. If the boat does not have a capacity plate, consult the boat manufacturer.**
- **Improper mounting of the outboard motor could result in hazardous conditions such as poor handling, loss of control, or fire hazards. For permanently mounted models, your dealer or other person experienced in proper rigging should mount the motor.**

EMU33481

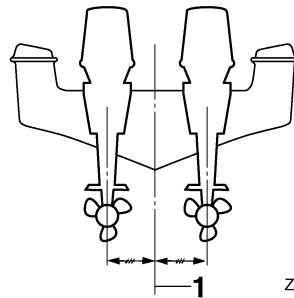
Mounting the outboard motor

The outboard motor should be mounted so that the boat is well balanced. Otherwise, the boat could be hard to steer. For single-engine boats, mount the outboard motor on the centerline (keel line) of the boat. For twin engine boats, mount the outboard motors equidistant from the centerline. Consult your Yamaha dealer or boat manufacturer for further information on determining the proper mounting location.



ZMU01760

1. Center line (keel line)



ZMU05141

1. Center line (keel line)

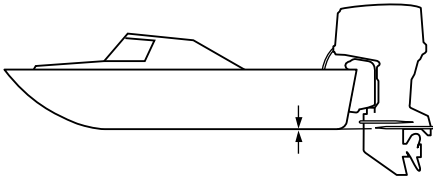
EMU26933

Mounting height (boat bottom)

The mounting height of your outboard motor affects its efficiency and reliability. If it is mounted too high, propeller ventilation may occur, which will reduce propulsion due to excessive propeller slip, and the water intakes for the cooling system may not get adequate water supply, which can cause engine overheating. If the engine is mounted too low, water resistance (drag) will increase, thereby reducing engine efficiency and performance.

Most commonly, outboard motor should be mounted so that the anti-cavitation plate is in alignment with the bottom of the boat. The optimum mounting height of the outboard

motor is affected by the boat/motor combination and the desired use. Test runs at different heights can help determine the optimum mounting height. Consult your Yamaha dealer or boat manufacturer for further information on determining the proper mounting height.



ZMU01762

ECM01634

NOTICE

- **Make sure that the idle hole is high enough to prevent water from entering the engine even if the boat is stationary with the maximum load.**
- **Incorrect engine height or obstructions to the smooth flow of water (such as the design or condition of the boat, or accessories, such as transom ladders or depth finder transducers) can create airborne water spray while the boat is cruising. If the outboard motor is operated continuously in the presence of airborne water spray, enough water could enter the engine through the air intake opening in the top cowling to cause severe engine damage. Remove the cause of the airborne water spray.**

Operation

EMU36381

First-time operation

EMU40510

Filling engine oil

The outboard motor is shipped from the factory without engine oil. If your Yamaha dealer did not fill the engine with engine oil, you must fill the engine before starting it. **NOTICE: Make sure that the engine is filled with engine oil before operating the outboard motor for the first time. Otherwise, the engine could be damaged severely.** [ECM02240]

The following sticker, which is affixed to the outboard motor when it is shipped from the factory, should be removed after the engine is filled with engine oil for the first time. For more information on checking the engine oil level, see page 51.



ZMU01710

EMU30174

Breaking in engine

Your new engine requires a period of break-in to allow mating surfaces of moving parts to wear in evenly. Correct break-in will help ensure proper performance and longer engine life. **NOTICE: Failure to follow the break-in procedure could result in reduced engine life or even severe engine damage.** [ECM00801]

EMU41222

Procedure for breaking in engine

Your new engine requires a period of 10 hours break-in so that mating surfaces of

moving parts wear in evenly.

Operate the engine in the water under load (in gear with a propeller installed) for 10 hours as follows. When breaking in the engine, avoid extended idling, rough water, and crowded areas.

1. For the 1st hour of operation:
Operate the engine at varying speeds up to 2000 r/min or approximately 1/2 throttle.
2. For the 2nd hour of operation:
Increase the engine speed until the boat is on plane (but avoid full-throttle operation), and then back off on the throttle while keeping the boat at a planing speed.
3. For the remaining 8 hours of operation:
Operate the engine at any speed. However, avoid operating at full throttle for more than 5 minutes at a time.
4. After the 1st 10 hours of operation:
Operate the engine normally.

EMU36400

Getting to know your boat

Different boats handle differently. Operate cautiously while you learn how your boat handles under different conditions and with different trim angles (see page 61).

EMU36413

Checks before starting engine

EWMO1921



If any item in “Checks before starting engine” is not working properly, have it inspected and repaired before operating the outboard motor. Otherwise, an accident could occur.

ECM00120

NOTICE

Do not start the engine out of water. Overheating and serious engine damage can

occur.

EMU36421

Fuel level

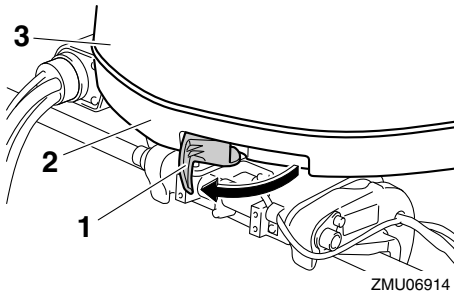
Be sure you have plenty of fuel for your trip. A good rule is to use 1/3 of your fuel to get to the destination, 1/3 to return, and to keep 1/3 as an emergency reserve. With the boat level on a trailer or in the water, turn the key to "ON" (on) and check the fuel level. For fuel filling instructions, see page 55.

EMU40770

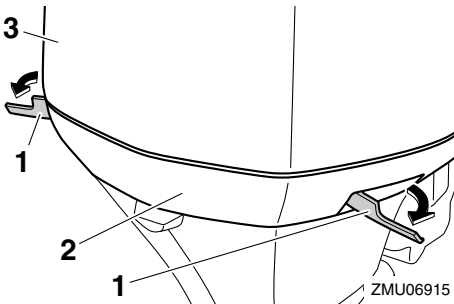
Removing top cowling

For the following checks, remove the top cowling from the bottom cowling.

To remove the top cowling, pull the cowling lock levers and lift up the top cowling.



1. Cowling lock lever
2. Bottom cowling
3. Top cowling



1. Cowling lock lever

2. Bottom cowling
3. Top cowling

EMU36442

Fuel system

EWM00060



Gasoline and its vapors are highly flammable and explosive. Keep away from sparks, cigarettes, flames, or other sources of ignition.

EWM00910



Leaking fuel can result in fire or explosion.

- Check for fuel leakage regularly.
- If any fuel leakage is found, the fuel system must be repaired by a qualified mechanic. Improper repairs can make the outboard unsafe to operate.

EMU36451

Check for fuel leaks

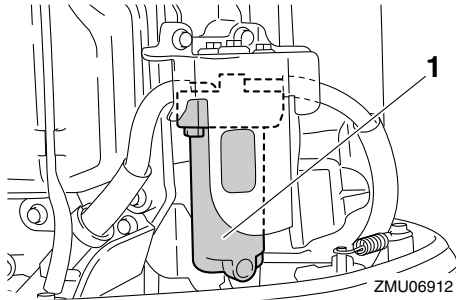
- Check for fuel leaks or gasoline fumes in the boat.
- Check for fuel leakage from the fuel system.
- Check the fuel tank and fuel lines for cracks, swellings, or other damages.

EMU37321

Checking the fuel filter

Check that the fuel filter is clean and free of water. If any water is found in the fuel, or if a significant amount of debris is found, the fuel tank should be checked and cleaned by a Yamaha dealer.

Operation



1. Fuel filter

EMU41770

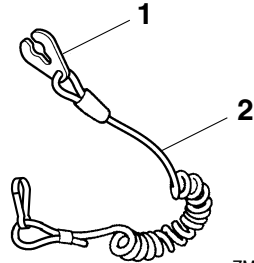
Controls

- Turn the main switch “ON” (on) and make sure that the Digital electronic control-active indicator comes on.
- Turn the steering wheel full-right and full-left. Make sure operation is smooth and unrestricted throughout the whole range with no binding or excessive free play.
- Operate the throttle levers several times to make sure there is no hesitation in their travel. Operation should be smooth over the complete range of motion, and each lever should return completely to the idle position.

EMU40362

Engine shut-off cord (lanyard)

Check the engine shut-off cord and clip for damage, such as cuts, breaks, and wear.



ZMU06873

1. Clip
2. Engine shut-off cord (lanyard)

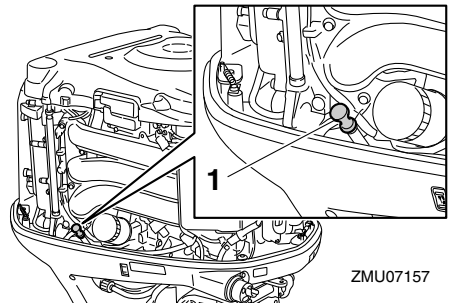
EMU37042

Engine oil

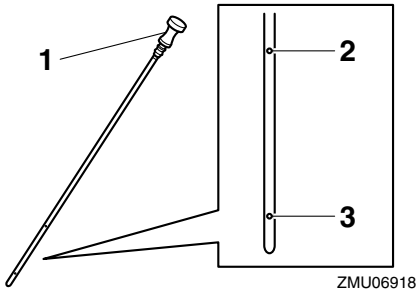
1. Put the outboard motor in an upright position (not tilted). **NOTICE: If the motor is not level, the oil level indicated on the dipstick may not be accurate.**

[ECM01790]

2. Remove oil dipstick and wipe it clean.
3. Insert the dipstick and remove it again. Be sure to completely insert the dipstick into the dipstick guide, otherwise the oil level measurement will be incorrect.
4. Check the oil level using the dipstick to be sure the level falls between the upper and lower marks. Consult your Yamaha dealer if the oil level is out of specified level or if it appears milky or dirty.



1. Oil dipstick



ZMU06918

1. Oil dipstick
2. Upper mark
3. Lower mark

EMU40411

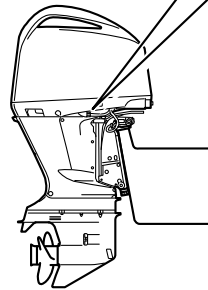
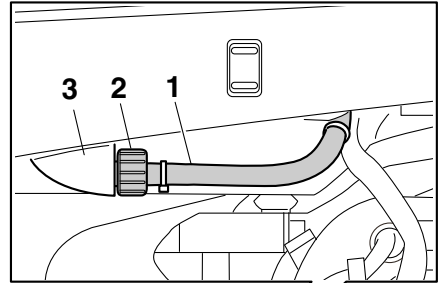
Outboard motor

- Check that the outboard motor is mounted properly and check the outboard motor mounting bolts for looseness.
- Check the propeller for damage.
- Check for engine oil leaks.

EMU40371

Flushing device

Check that the flushing device is securely tightened on to the fitting on the bottom cowling. **NOTICE: Make sure to connect the garden hose connector to the fitting on the bottom cowling and tighten it securely. Otherwise, cooling water will leak out during operation, causing the engine to overheat.** [ECM02291]



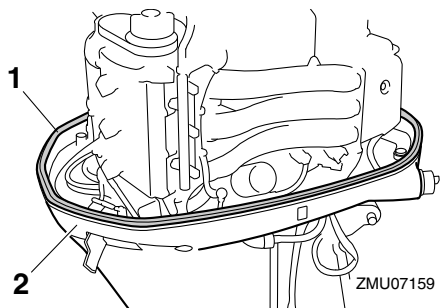
ZMU07158

1. Flushing device
2. Garden hose connector
3. Fitting

EMU40751

Installing top cowling

1. Check the rubber seal for damage. If the rubber seal is damaged, have it replaced by a Yamaha dealer.

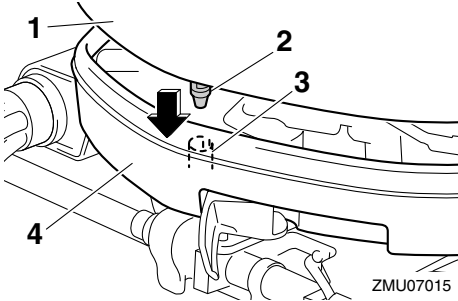


ZMU07159

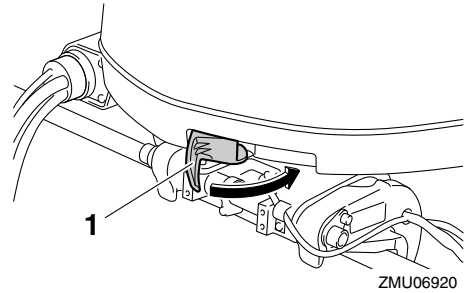
1. Rubber seal
2. Bottom cowling

Operation

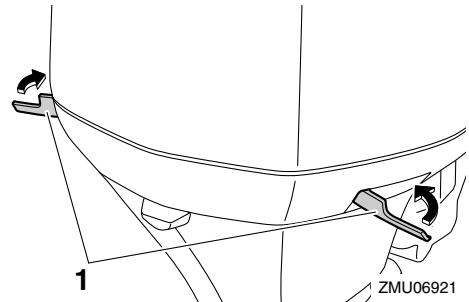
2. Check that the rubber seal is seated all the way around the bottom cowling.
3. Check that all of the cowling lock levers are pulled outward.
4. Align the 3 protrusions on the top cowling with the corresponding holders on the bottom cowling, and then place the top cowling on the bottom cowling.



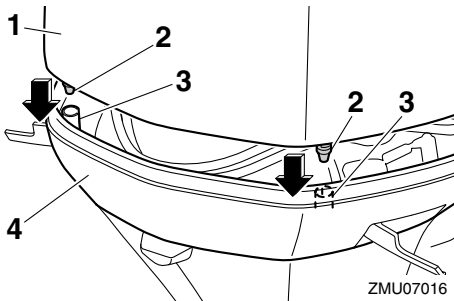
1. Top cowling
2. Protrusion
3. Holder
4. Bottom cowling



1. Cowling lock lever



1. Cowling lock lever

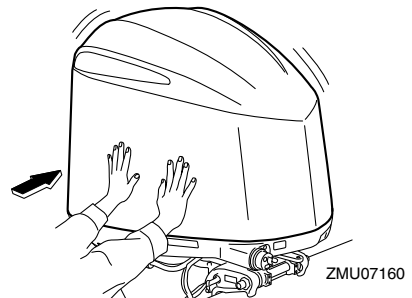


1. Top cowling
2. Protrusion
3. Holder
4. Bottom cowling

5. Push the cowling lock levers inward to secure the top cowling.

6. Check the fitting of the top cowling by pushing it with both hands. **NOTICE:** If the top cowling is not installed correctly, water can enter the top cowling and damage the engine, or the top cowling can blow off at high speeds.

[ECM02370]



EMU35243

Checking power trim and tilt system

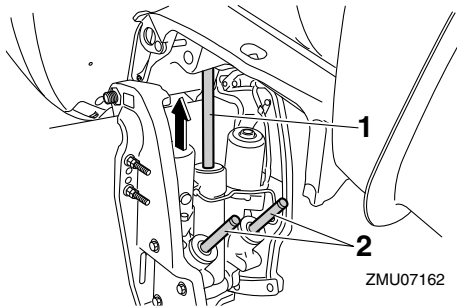
EWM01930



WARNING

- Never get under the lower unit while it is tilted, even when the tilt support lever is locked. Severe injury could occur if the outboard motor accidentally falls.
- Body parts can be crushed between the motor and the clamp bracket when the motor is trimmed or tilted.
- Be sure no one is near the outboard motor before performing this check.

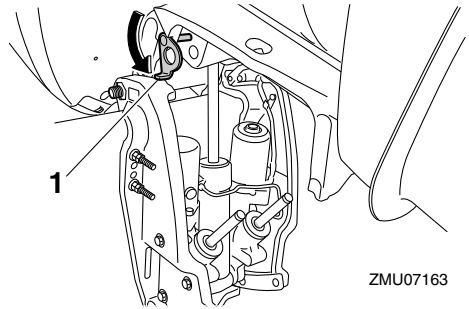
1. Check the power trim and tilt unit for any sign of oil leaks.
2. Operate each of the power trim and tilt switches on the digital electronic control and engine bottom cowling (if equipped) to check that all switches work.
3. Tilt the outboard motor up and check that the tilt rod and trim rods are extended completely.



ZMU07162

1. Tilt rod
2. Trim rods

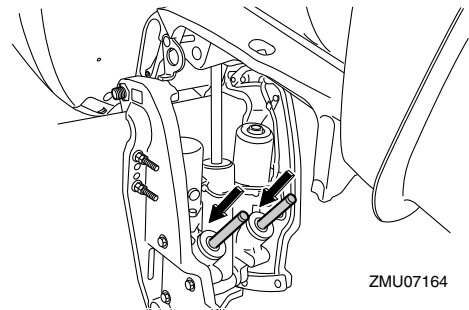
4. Use the tilt support lever to lock the motor in the up position. Operate the tilt down switch briefly so the motor is supported by the tilt support lever.



ZMU07163

1. Tilt support lever

5. Check that the tilt rod and trim rods are free of corrosion or other flaws.
6. Activate the tilt-down switch until the trim rods have retracted completely into the cylinders.



ZMU07164

7. Activate the trim-up switch until the tilt rod is fully extended. Unlock the tilt support lever.
8. Tilt the outboard motor down. Check that the tilt rod and trim rods operate smoothly.

EMU36582

Battery

Check that the battery is in good condition, and fully charged. Check that the battery connections are clean, secure and covered by insulating covers. The electrical contacts of the battery and cables must be clean and properly connected or the battery will not

Operation

start the engine.

Refer to the battery manufacturer's instructions for checks for your particular battery.

EMU30025

Filling fuel

EWM01830

WARNING

- Gasoline and its vapors are highly flammable and explosive. Always refuel according to this procedure to reduce the risk of fire and explosion.
- Gasoline is poisonous and can cause injury or death. Handle gasoline with care. Never siphon gasoline by mouth. If you should swallow some gasoline or inhale a lot of gasoline vapor, or get some gasoline in your eyes, see your doctor immediately. If gasoline spills on your skin, wash with soap and water. If gasoline spills on your clothing, change your clothes.

1. Make sure that the engine is stopped.
2. Make sure that the boat is in a well-ventilated outdoor area, either securely moored or trailered.
3. Make sure that no one is in the boat.
4. Do not smoke and keep away from sparks, flames, static electric discharge, or other sources of ignition.
5. If you use a portable container to store and dispense fuel, only use a locally approved GASOLINE container.
6. Touch the fuel nozzle to the filler opening or funnel to help prevent electrostatic sparks.
7. Fill the fuel tank, but do not overfill. **WARNING! Do not overfill. Otherwise fuel can expand and overflow if the temperature increases.** [EWM02610]
8. Tighten the fuel tank cap securely.
9. Wipe up any spilled gasoline immediately

with dry rags. Dispose of rags properly according to local laws or regulations.

EMU40251

Operating engine

EWM02600

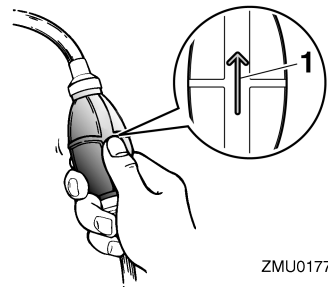
WARNING

This product emits exhaust gases which contain carbon monoxide, a colorless, odorless gas which could cause brain damage or death when inhaled. Symptoms include nausea, dizziness, and drowsiness. Keep cockpit and cabin areas well ventilated. Avoid blocking exhaust outlets.

EMU41290

Sending fuel

1. If your boat is equipped with a fuel tank selector valve, turn the valve to select the appropriate fuel tank.
2. Squeeze the primer pump, with the arrow pointing up, until you feel it become firm.



ZMU01770

1. Arrow

EMU27494

Starting engine

EWM01600

WARNING

Before starting the engine, make sure that the boat is tightly moored and that you can steer clear of any obstructions.

Be sure there are no swimmers in the water near you.

EMU41790

Start-up checks

Place the control lever in neutral and turn the main switch to “ON” (on). Make sure that no alert-indicator comes on. If the buzzer sounds and the water separator-alert indicator blinks, consult your Yamaha dealer immediately.

EMU41801

Procedure for starting engine

EWM01840

WARNING

- Failure to attached engine shut-off cord could result in a runaway boat if operator is ejected. Attach the engine shut-off cord to a secure place on your clothing, or your arm or leg while operating. Do not attach the cord to clothing that could tear loose. Do not route the cord where it could become entangled, preventing it from functioning.
- Avoid accidentally pulling the cord during normal operation. Loss of engine power means the loss of most steering control. Also, without engine power, the boat could slow rapidly. This could cause people and objects in the boat to be thrown forward.

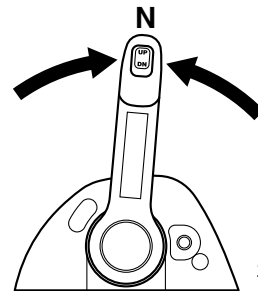
1. If equipped with the Yamaha Security System: If the lock mode of the Yamaha Security System is selected, use the remote control transmitter to select the unlock mode. Short beep will sound twice when unlocking the Yamaha Security System. For further information, see page 22.

TIP:

- If you lost track of the current security mode, press the lock or unlock button to

reset the security system.

- The signal transmission range of the remote control transmitter varies depending on the mounting position of the receiver. To operate the Yamaha Security System correctly, use the transmitter as close as possible from the receiver.
 - If Yamaha Security System may not operate correctly, repeat the activating procedure once again.
2. Place the control lever in neutral.

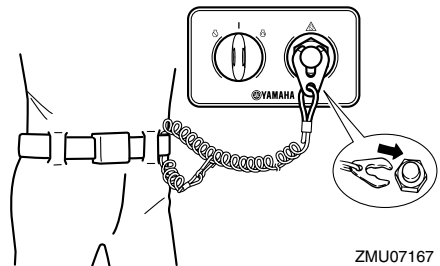


ZMU05829

TIP:

The start-in-gear protection device prevents the engine from starting except when in neutral.

3. Attach the engine shut-off cord to a secure place on your clothing, or your arm or leg. Then install the clip on the other end of the cord into the engine shut-off switch.

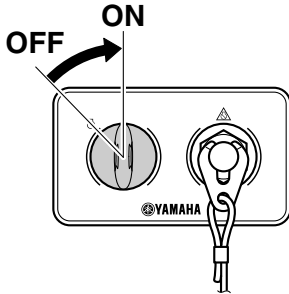


ZMU07167

4. Turn the main switch to “ON” (on) to

Operation

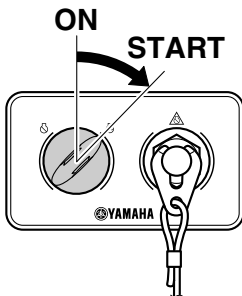
make sure that the digital electronic control-active indicator lights. The engine can not be started when the digital electronic control-alert indicator lights.



ZMU07217

5. Turn the main switch to “START” (start), and hold it for a maximum of 5 seconds. **NOTICE: Never turn the main switch to “START” (start) while the engine is running. Do not keep the starter motor turning for more than 5 seconds. If the starter motor is turned continuously for more than 5 seconds, the battery will be quickly discharged, thus making it impossible to start the engine. The starter can also be damaged. If the engine will not start after 5 seconds of cranking, return the main switch to “ON” (on), wait 10 seconds, then crank the engine again.**

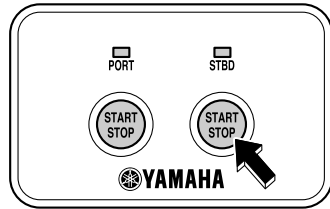
[ECM00192]



ZMU07169

When starting the engine using the

Start/Stop button, press the button to start the engine. The indicator for the starting engine will come on.



ZMU07148

When starting the engine using the Start/Stop button on the All Start/Stop switch panel, press the button to start the all engines.



ZMU07150

TIP:

- When the main switch is turned to “START” (start) with the clip removed from the engine shut-off switch, the buzzer will sound.
- For twin type, if the clip is removed from the engine shut-off switch, the buzzer will sound when the Start/Stop button is pressed.
- For twin type, when either engine has started, the engine that has started can be stopped by pressing the Start/Stop button on the All Start/Stop switch panel.

EMU36510

Checks after starting engine

EMU41360

Cooling water

Check for a steady flow of water from the cooling water pilot hole. A continuous flow of water from the cooling water pilot hole shows that the water pump is pumping water through the cooling water passages.

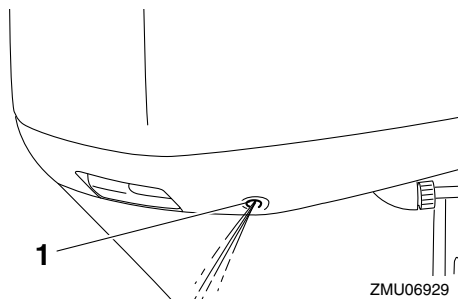
TIP:

When the engine is started, there may be a slight delay before water flows from the cooling water pilot hole.

ECM02250

NOTICE

If water is not flowing out of the cooling water pilot hole at all times while the engine is running, overheating and serious damage could occur. Stop the engine and check whether the cooling water inlet on the lower case or the cooling water pilot hole is blocked. Consult your Yamaha dealer if the problem cannot be located and corrected.



1. Cooling water pilot hole

EMU27670

Warming up engine

EMU41810

Electric start models

After the engine has started, warm up the en-

gine until the engine speed settles at idling speed. The engine warming-up indicator is shown on the Multi-Display while the engine warms up. For further information, see page 32.

EMU36531

Checks after engine warm up

EMU36541

Shifting

While the boat is tightly moored, and without applying throttle, confirm that the engine shifts smoothly into forward and reverse, and back to neutral.

EMU41820

Stop switches

Perform the following procedure to check that the main switch and engine shut-off switch operate properly.

- Check that the engine stops when the main switch is turned to the "OFF" (off) position, or press the Start/Stop button.
- Check that the engine stops when the clip is pulled from the engine shut-off switch.
- Check that the engine cannot be started with the clip removed from the engine shut-off switch.

EMU35124

Shifting

EWM00180

! WARNING

Before shifting, make sure there are no swimmers or obstacles in the water near you.

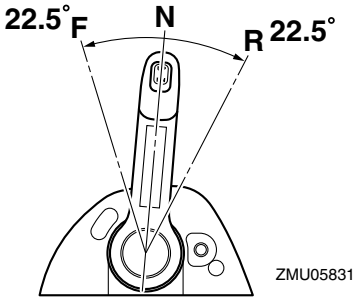
Warm up the engine before shifting into gear. Until the engine is warm, the idle speed may be higher than normal. The control lever of the Digital electronic control can be operated even at high engine speeds. However, gear shifting will not work until the engine speed has automatically decreased to a speed at which actual gear shifting is possible. As a

Operation

result, for quick gear shifting there could be a time lag when the gear is shifted until the engine speed has decreased sufficiently.

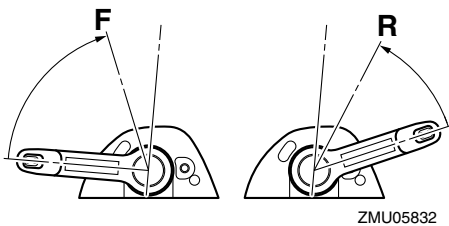
To shift out of neutral

1. Pull the neutral interlock trigger up (if equipped).
2. Move the control lever firmly and crisply forward (for forward gear) or backward (for reverse gear) 22.5° (a detent can felt).

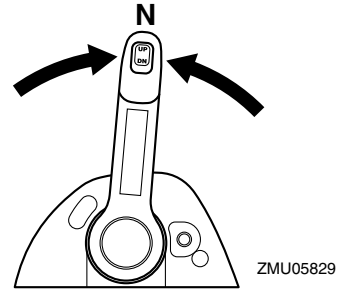


To shift from in gear (forward/reverse) to neutral

1. Close the throttle so that the engine slows to idle speed.



2. After the engine is at idle speed in gear move the control lever firmly and crisply into the neutral position.



EMU31742

Stopping boat

EW01510

WARNING

- Do not use the reverse function to slow down or stop the boat as it could cause you to lose control, be ejected, or impact the steering wheel or other parts of the boat. This could increase the risk of serious injury. It could also damage the shift mechanism.
- Do not shift into reverse while traveling at planing speeds. Loss of control, boat swamping, or damage to the boat could occur.

The boat is not equipped with a separate braking system. Water resistance stops it after the throttle lever is moved back to idle. The stopping distance varies depending on gross weight, water surface conditions, and wind direction.

EMU30880

Trolling

EMU41831

Adjusting trolling speed

When the control lever is either in the forward position or in the reverse position and the throttle is in the fully closed position, you can randomly adjust the trolling speed between 600 r/min and 1000 r/min by increasing or decreasing it approximately by 50

r/min. The display will show the engine speed when the engine speed is increased from the fully closed position during trolling speed setting mode. When the throttle is returned to the fully closed position, the display will show the trolling speed again. When the engine is turned off or when the engine speed exceeds 3000 r/min, trolling speed setting mode will be released.

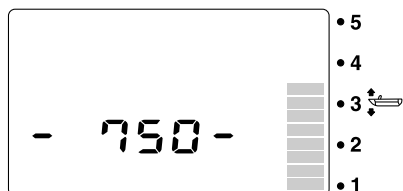
For details, see the attached operation manual.

TACH

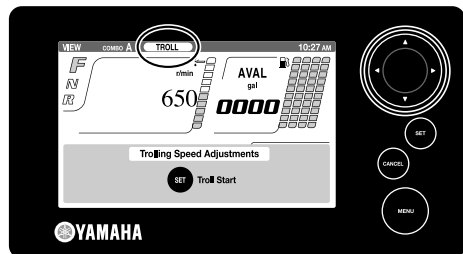


ZMU05931

TACH



ZMU06309



ZMU07256

TIP:

- Trolling is affected by currents and other operating conditions and may differ from the actual engine speed.
- When warming up a cold engine, the trolling speed cannot be decreased below the specified engine idle speed.

EMU27821

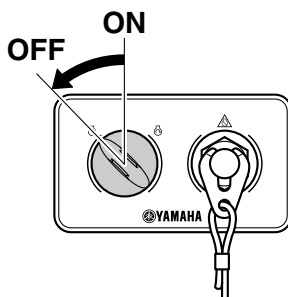
Stopping engine

Before stopping the engine, first let it cool off for a few minutes at idle or low speed. Stopping the engine immediately after operating at high speed is not recommended.

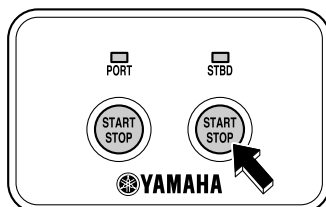
EMU41840

Procedure for stopping engine

1. The engine can be turned off either by pressing the Start/Stop button or by turning the main switch to the "OFF" (off) position. After the engine has been turned off using the Start/Stop button, turn the main switch to the "OFF" (off) position.



ZMU07171



ZMU07148

Operation



ZMU07150

TIP:

- The engine can also be stopped by pulling the cord and removing the clip from the engine shut-off switch, then turning the main switch to “OFF” (off).
2. If equipped with the Yamaha Security System: When you leave your boat, set the Yamaha Security System to the lock mode by pressing the lock button of the remote control transmitter. Short beep will sound once when locking the security system. The lock mode is selected only when the main switch is in the “OFF” (off) position. For further information, see page 22. **WARNING! Do not set the Yamaha Security System in the lock mode when you stop the engine at offshore.** [EWM02150]
 3. Remove the key if the boat will be left unattended.

EMU27862

Trimming outboard motor

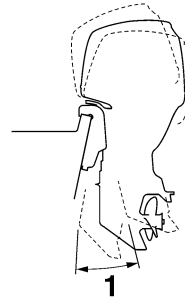
EWM00740



Excessive trim for the operating conditions (either trim up or trim down) can cause boat instability and can make steering the boat more difficult. This increases the possibility of an accident. If the boat begins to feel unstable or is hard to steer, slow down and/or readjust the

trim angle.

The trim angle of the outboard motor helps determine the position of the bow of the boat in the water. Correct trim angle will help improve performance and fuel economy while reducing strain on the engine. Correct trim angle depends upon the combination of boat, engine, and propeller. Correct trim is also affected by variables such as the load in the boat, sea conditions, and running speed.



ZMU05170

1. Trim operating angle

EMU27885

Adjusting trim angle (Power trim and tilt)

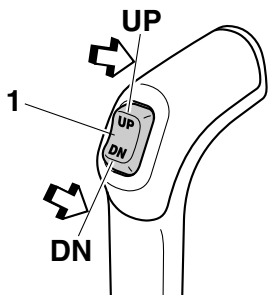
EWM00753



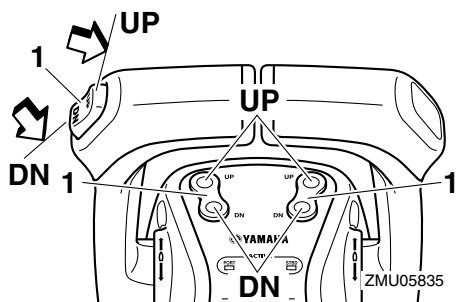
- Be sure all people are clear of the outboard motor when adjusting the trim angle. Body parts can be crushed between the motor and the clamp bracket when the motor is trimmed or tilted.
- Use caution when trying a trim position for the first time. Increase speed gradually and watch for any signs of instability or control problems. Improper trim angle can cause loss of control.
- If equipped with a power trim and tilt switch located on the bottom cowling, use the switch only when the boat is at a complete stop with the engine off. Do

not adjust the trim angle with this switch while the boat is moving.

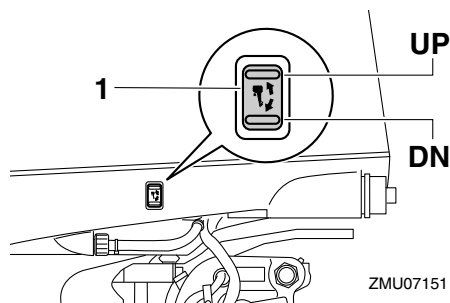
Adjust the outboard motor trim angle using the power trim and tilt switch.



ZMU05834



ZMU05835



ZMU07151

1. Power trim and tilt switch

To raise the bow (trim-out), press the switch “UP” (up).

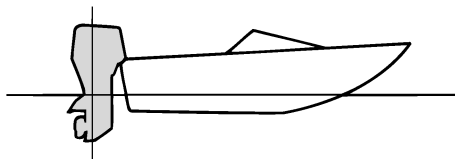
To lower the bow (trim-in), press the switch “DN” (down).

Make test runs with the trim set to different angles to find the position that works best for your boat and operating conditions.

EMU27912

Adjusting boat trim

When the boat is on plane, a bow-up attitude results in less drag, greater stability and efficiency. This is generally when the keel line of the boat is up about 3 to 5 degrees. With the bow up, the boat may have a greater tendency to steer to one side or the other. Compensate for this as you steer. When the bow of the boat is down, it is easier to accelerate from a standing start onto plane.

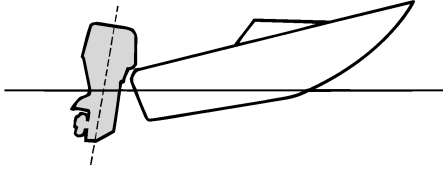


ZMU01784

Bow Up

Too much trim-out puts the bow of the boat too high in the water. Performance and economy are decreased because the hull of the boat is pushing the water and there is more air drag. Excessive trim-out can also cause the propeller to ventilate, which reduces performance further, and the boat may “porpoise” (hop in the water), which could throw the operator and passengers overboard.

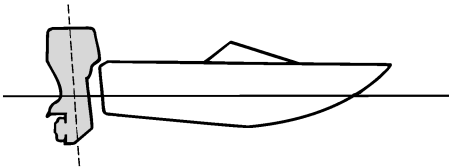
Operation



ZMU01785

Bow Down

Too much trim-in causes the boat to “plow” through the water, decreasing fuel economy and making it hard to increase speed. Operating with excessive trim-in at higher speeds also makes the boat unstable. Resistance at the bow is greatly increased, heightening the danger of “bow steering” and making operation difficult and dangerous.



ZMU01786

TIP:

Depending on the type of boat, the outboard motor trim angle may have little effect on the trim of the boat when operating.

EMU27946

Tilting up and down

If the engine will be stopped for some time or if the boat is moored in shallows, the outboard motor should be tilted up to protect the propeller and lower case from damage by collision with obstructions, and also to reduce salt corrosion.

EWM01543

WARNING

Make sure that all people are clear of the outboard motor when tilting the outboard motor up and down. Body parts can be crushed between the outboard motor and the clamp bracket when the outboard motor is trimmed or tilted.

ECM00991

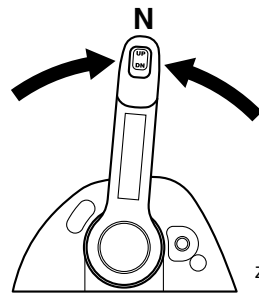
NOTICE

- Before tilting the outboard motor, follow the procedure under “Stopping engine” in this chapter. Never tilt the outboard motor while the engine is running. Severe damage from overheating can result.
- To prevent the cooling water passages from becoming frozen when the ambient temperature is 5°C or below, tilt the outboard motor up after it has been stopped 30 seconds or more.

EMU35507

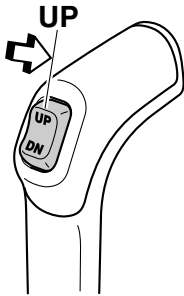
Procedure for tilting up (power trim and tilt models)

1. Place the control lever in neutral.

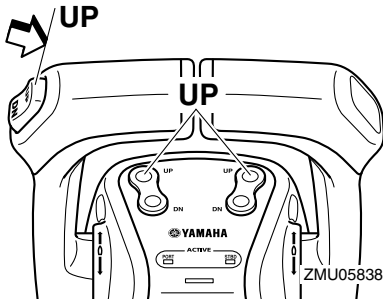


ZMU05829

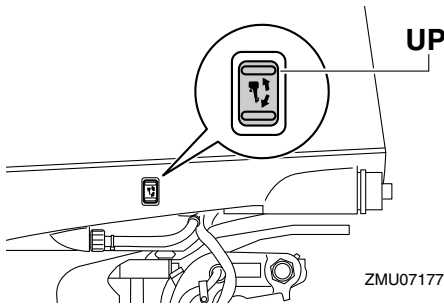
2. Press the power trim and tilt switch “UP” (up) until the outboard motor has tilted up completely.



ZMU05837



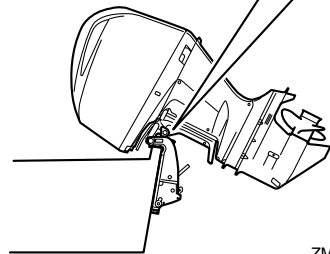
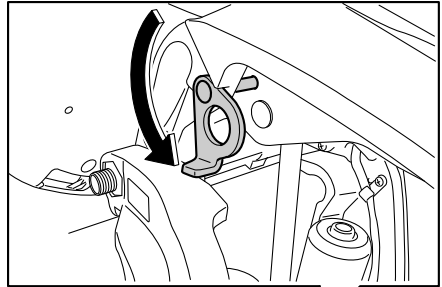
ZMU05838



ZMU07177

3. Set the tilt support lever to support the engine. **WARNING!** After tilting the outboard motor, be sure to support it with the tilt support knob or tilt support lever. Otherwise the outboard motor could fall back down suddenly if oil in the power trim and tilt unit or in the power tilt unit loses pressure. [EWM00262] **NOTICE:** Do not use the tilt support lever or knob when trailering the boat. The outboard motor could

shake loose from the tilt support and fall. If the motor cannot be trailered in the normal running position, use an additional support device to secure it in the tilt position. For more detailed information, see page 67. [ECM01641]



ZMU07153

4. Once the outboard motor is supported with the tilt support lever, press the power trim and tilt switch "DN" (down) to retract the trim rods. **NOTICE:** Make sure that the trim rods retract completely during mooring. This protects the rods from marine growth and corrosion, which could damage the power trim and tilt mechanism. [ECM00252]

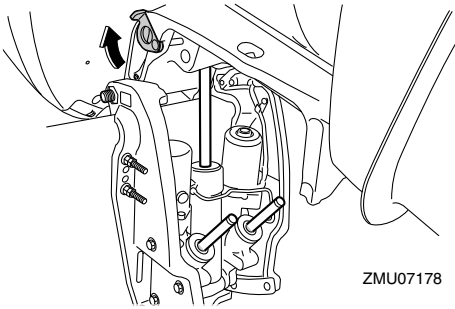
EMU35514

Procedure for tilting down (power trim and tilt models)

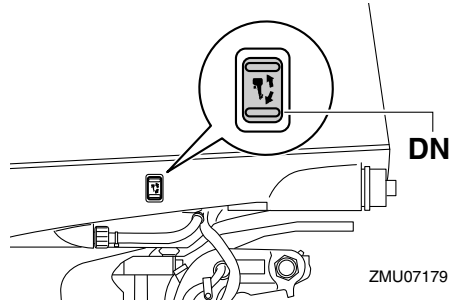
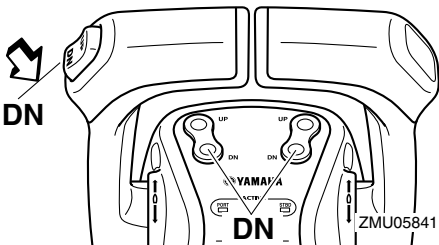
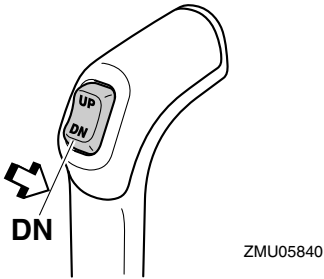
1. Push the power trim and tilt switch "UP" (up) until the outboard motor is supported by the tilt rod and the tilt support lever becomes free.

Operation

2. Release the tilt support lever.



3. Push the power trim and tilt switch “DN” (down) to lower the outboard motor to the desired position.



EMU28061

Shallow water

EMU40701

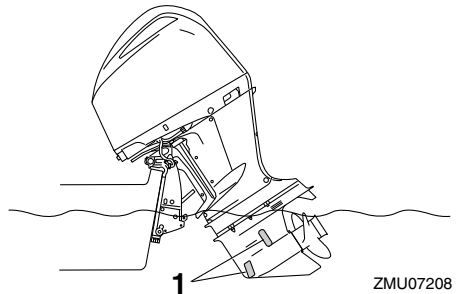
Cruising in shallow water

The outboard motor can be tilted up partially to allow operation in shallow water.

ECM02360

NOTICE

Do not tilt the outboard motor up so that the cooling water inlet on the lower unit is above the surface of the water when setting up for and cruising in shallow water. Otherwise severe damage from overheating can result.

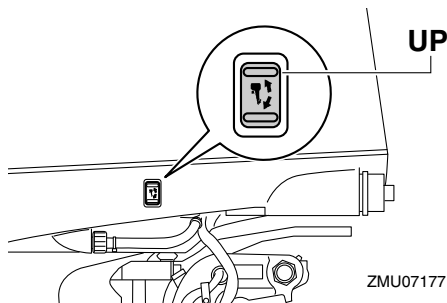
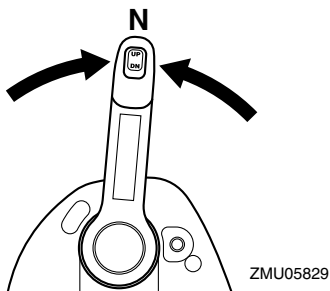


1. Cooling water inlet

EMU35234

Procedure for power trim and tilt models

1. Place the control lever in neutral.



2. Slightly tilt the outboard motor up to the desired position using the power trim and tilt switch. **WARNING! Using the power trim and tilt switch on the bottom cowling while the boat is moving or engine is on could increase the risk of falling overboard and could distract the operator, increasing the risk of collision with another boat or an obstacle.** [EWM01850]

3. To return the outboard motor to the normal running position, press the power trim and tilt switch and slowly tilt the outboard motor down.

EMU41370

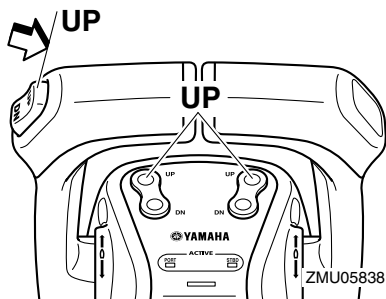
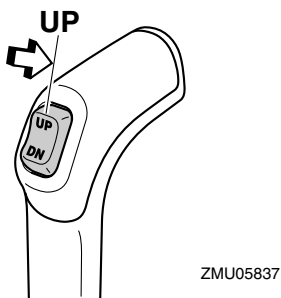
Operating in other conditions

Operating in salt water

After operating in saltwater, brackish water, or water high in other minerals, flush the cooling system with fresh water to minimize corrosion and clogging of the cooling water passages with deposits. Also, rinse the exterior of the outboard motor with fresh water.

Operating in water containing mud, sand, silt, debris, or vegetation

Mud, sand, silt, debris, and vegetation in the water may restrict water flow into the cooling water inlet covers or clog internal water passages. Check and clean the cooling water inlet covers frequently when operating in these conditions. Flush the engine with clean, fresh water after use in these environments. Consult your dealer if normal water flow can not be restored by cleaning the cooling water inlet covers or flushing with fresh water.



Maintenance

EMU31844

Transporting and storing outboard motor

EWM02640

WARNING

- **USE CARE** when transporting fuel tank, whether in a boat or car.
- **DO NOT** fill fuel container to maximum capacity. Gasoline will expand considerably as it warms up and can build up pressure in the fuel container. This can cause fuel leakage and a potential fire hazard.
- **Leaking fuel is a fire hazard.** Tighten securely the fuel valve when transporting and storing the outboard motor.
- **Never get under the outboard motor while it is tilted.** Severe injury could occur if the outboard motor accidentally falls.
- **Do not use the tilt support lever or knob when trailering the boat.** The outboard motor could shake loose from the tilt support and fall. If the outboard motor cannot be trailered in the normal running position, use an additional support device to secure it in the tilt position.

ECM02440

NOTICE

When storing the outboard motor for prolonged time, fuel must be drained from the fuel tank. The deteriorated fuel could clog the fuel line causing engine start difficulty or malfunction.

Leaking fuel is a fire hazard. When trailering the boat, close the fuel valve to prevent fuel from leaking.

The outboard motor should be transported and stored in the normal running position. If

there is insufficient road clearance in this position, then trailer the outboard motor in the tilt position using a motor support device such as a transom saver bar. Consult your Yamaha dealer for further details.

When the outboard motor is tilted prolonged time for mooring or trailering the boat, close the fuel valve.

EMU35580

Storing outboard motor

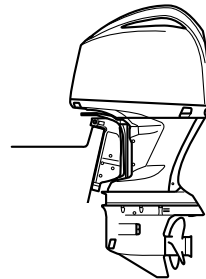
When storing your Yamaha outboard motor for prolonged periods of time (2 months or longer), several important procedures must be performed to prevent excessive damage. It is advisable to have your outboard motor serviced by an authorized Yamaha dealer prior to storage. However, you, the owner, with a minimum of tools, can perform the following procedures.

ECM01720

NOTICE

Store the outboard motor in a dry, well-ventilated place, not in direct sunlight.

Keep the outboard motor in the attitude shown when transporting and storing it.



ZMU05843

EMU28305

Procedure

EMU41320

Draining the gasoline from the vapor separator

Gasoline in the vapor separator must be drained before storing the outboard motor.

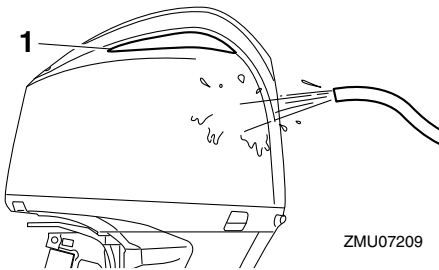
Have a Yamaha dealer drain the gasoline from the vapor separator.

EMU41141

Cleaning the outboard motor

When cleaning the outboard motor, the top cowling must be installed.

1. Wash the exterior of the outboard motor using fresh water. **NOTICE: Do not spray water into the air intake.** [ECM01840]



1. Air intake

2. Drain the cooling water completely out of the outboard motor. Clean the body thoroughly.

EMU41071

Lubrication

1. Change the gear oil. For instructions, see page 81. Check the gear oil for the presence of water that indicates a leaky seal. Seal replacement should be performed by an authorized Yamaha dealer prior to use.
2. Lubricate all grease fittings. For further details, see page 74.

TIP:

For long-term storage, fogging the engine with fogging oil is recommended. Contact your Yamaha dealer for information about fogging oil and procedures for your outboard motor.

EMU40962

Flushing cooling water passage

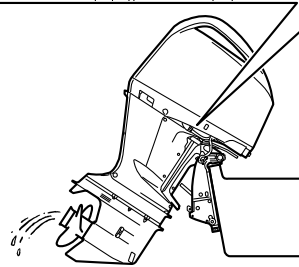
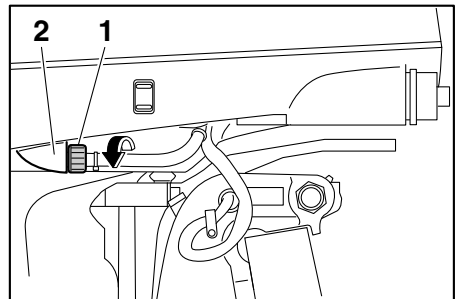
Perform this procedure right after operation for the most thorough flushing.

ECM01530

NOTICE

Do not perform this procedure while the engine is running. The water pump may be damaged and severe damage from overheating can result.

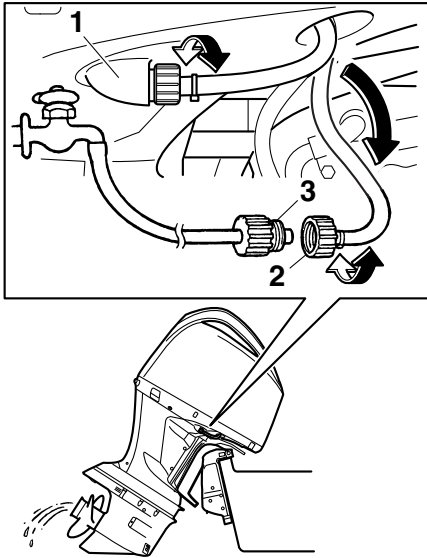
1. Disconnect the garden hose connector from the fitting on the bottom cowling.



1. Garden hose connector
2. Fitting

2. Connect the garden hose to the garden hose connector.

Maintenance



ZMU05844

1. Fitting
2. Garden hose connector
3. Garden hose adapter

3. With the engine off, turn on the water supply and let the water flush through the cooling water passages for about 15 minutes.
4. Turn off the water supply, and then disconnect the garden hose from the garden hose connector.
5. Connect the garden hose connector to the fitting on the bottom cowling and tighten it securely. **NOTICE: If the garden hose connector is not properly connected, cooling water can leak out and the engine can overheat during operation.** [ECM01801]

TIP:

When flushing the cooling water passages with the boat in the water, tilting the outboard motor up until it is completely out of the water

will achieve better results.

EMU28461

Checking painted surface of outboard motor

Check the outboard motor for scratches, nicks, or flaking paint. Areas with damaged paint are more likely to corrode. If necessary, clean and paint the areas. A touch-up paint is available from your Yamaha dealer.

EMU2850B

Periodic maintenance

EWM01871

WARNING

These procedures require mechanical skills, tools, and supplies. If you do not have the proper skills, tools, or supplies to perform a maintenance procedure, have a Yamaha dealer or other qualified mechanic do the work.

The procedures involve disassembling the motor and exposing dangerous parts. To reduce the risk of injury from moving, hot, or electrical parts:

- Turn off the engine and keep the key(s) and engine shut-off cord (lanyard) with you when you perform maintenance unless otherwise specified.
- The power trim and tilt switches operate even when the ignition key is off. Keep people away from the switches whenever working around the motor. When the motor is tilted, keep away from the area under it or between it and the clamp bracket. Be sure no one is in this area before operating the power trim and tilt mechanism.
- Allow the engine to cool before handling hot parts or fluids.
- Always completely reassemble the motor before operation.

Maintenance, replacement, or repair of the emission control devices and systems on models affixed with an emission control label may be performed by any marine engine repair establishment or individual. All warranty repairs, however, including those to the emission control system, must be performed by an authorized Yamaha marine dealership.

EMU28511

Replacement parts

If replacement parts are necessary, use only genuine Yamaha parts or parts of equivalent design and quality. Any part of inferior quality may malfunction, and the resulting loss of control could endanger the operator and passengers. Yamaha genuine parts and accessories are available from your Yamaha dealer.

EMU34151

Severe operating conditions

Severe operating conditions involve one or more of the following types of operation on a regular basis:

- Operating continuously at or near maximum engine speed (rpm) for many hours
- Operating continuously at a low engine speed (rpm) for many hours
- Operating without sufficient time for engine to warm up and cool down
- Frequent quick acceleration and deceleration
- Frequent shifting
- Frequently starting and stopping the engine(s)
- Operation that fluctuates often between light and heavy cargo loads

Outboard motors operating under any of these above conditions require more frequent maintenance. Yamaha recommends that you do this service twice as often as specified in the maintenance chart. For ex-

ample, if a particular service should be done at 50 hours, do it instead at 25 hours. This will help prevent more rapid deterioration of engine components.

Maintenance

EMU34446

Maintenance chart 1

TIP:

- Refer to the sections in this chapter for explanations of each owner-specific action.
- The maintenance cycle on these charts assume usage of 100 hours per year and regular flushing of the cooling water passages. Maintenance frequency should be adjusted when operating the engine under adverse conditions such as extended trolling.
- Disassembly or repairs may be necessary depending on the outcome of maintenance checks.
- Expendable or consumable parts and lubricants will lose their effectiveness over time and through normal usage regardless of the warranty period.
- When operating in salt water, muddy, other turbid (cloudy), acidic water, the engine should be flushed with clean water after each use.

The “●” symbol indicates the check-ups which you may carry out yourself.

The “○” symbol indicates work to be carried out by your Yamaha dealer.

Item	Actions	Initial	Every		
		20 hours (3 months)	100 hours (1 year)	300 hours (3 years)	500 hours (5 years)
Anode(s) (external)	Inspection or replacement as necessary		●/○		
Anode (cylinder head exhaust passage)	Inspection or replacement as necessary		○		
Anodes (cylinder head, cylinder block, cylinder block thermostat portion, oil cooler cover, exhaust guide)	Replacement				○
Battery (electrolyte level, terminal)	Inspection	●/○	●/○		
Battery (electrolyte level, terminal)	Fill, charging or replacing as necessary		○		
Cooling water leakage	Inspection or replacement as necessary	○	○		
Cowling lock lever	Inspection		●/○		
Engine starting condition/noise	Inspection	●/○	●/○		
Engine idle speed/noise	Inspection	●/○	●/○		
Engine oil	Replacement	●/○	●/○		
Engine oil filter (cartridge)	Replacement		○		

Maintenance

Item	Actions	Initial	Every		
		20 hours (3 months)	100 hours (1 year)	300 hours (3 years)	500 hours (5 years)
Fuel filter (can be disassembled)	Inspection or replacement as necessary	●/○	●/○		
Fuel line (High pressure)	Inspection or replacement as necessary	○	○		
Fuel line (Low pressure)	Inspection or replacement as necessary	○	○		
Fuel pump	Inspection or replacement as necessary			○	
Fuel/engine oil leakage	Inspection	○	○		
Gear oil	Replacement	●/○	●/○		
Greasing points	Greasing	●/○	●/○		
Impeller/water pump housing	Inspection or replacement as necessary		○		
Impeller/water pump housing	Replacement			○	
OCV (Oil Control Valve) filter	Replacement				○
Power trim and tilt unit	Inspection	●/○	●/○		
Propeller/propeller nut/cotter pin	Inspection or replacement as necessary	●/○	●/○		
Spark plug(s)	Inspection or replacement as necessary		●/○		
Ignition coils/ignition coil leads	Inspection or replacement as necessary	○	○		
Water from the cooling water pilot hole	Inspection	●/○	●/○		
Thermostat	Inspection or replacement as necessary		○		
Timing belt	Inspection or replacement as necessary		○		
Valve clearance	Inspection and adjustment				○
Cooling water inlet	Inspection	●/○	●/○		
Main switch/stop switch	Inspection or replacement as necessary	○	○		
Wire harness connections/wire coupler connections	Inspection or replacement as necessary	○	○		

Maintenance

Item	Actions	Initial	Every		
		20 hours (3 months)	100 hours (1 year)	300 hours (3 years)	500 hours (5 years)
Connector connections/lead connections	Inspection or replacement as necessary	○	○		
(Yamaha) Meter/gauge	Inspection	○	○		

EMU34451

Maintenance chart 2

Item	Actions	Every
		1000 hours
Exhaust guide/exhaust manifold	Inspection or replacement as necessary	○
Timing belt	Replacement	○

EMU28910

TIP:

When using lead or high-sulfur gasoline, inspecting valve clearance may be required more frequently than every 500 hours.

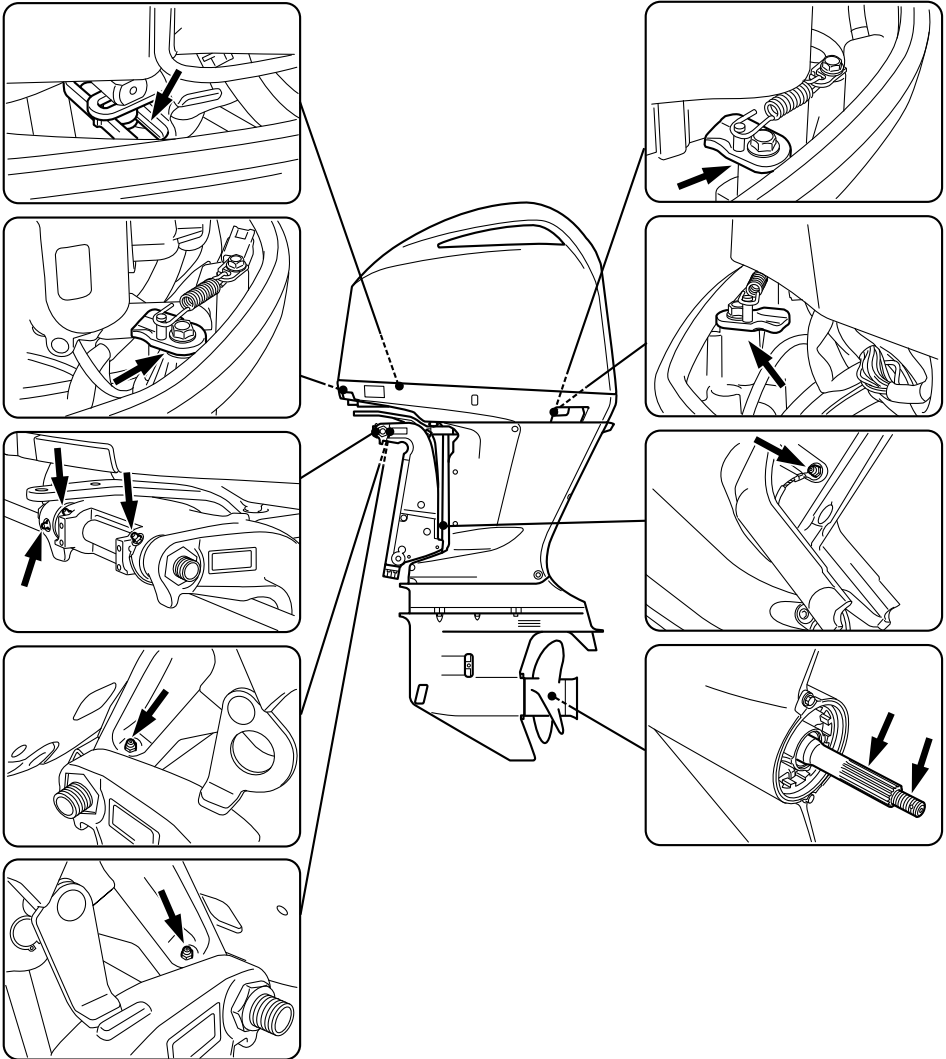
EMU28943

Greasing

Yamaha grease A (water resistant grease)

Yamaha grease D (corrosion resistant grease; for propeller shaft)

F225F, FL225F, F250D, FL250D, F300B, FL300B, F250D1, FL250D1, F300B1, FL300B1



ZMU07181

Maintenance

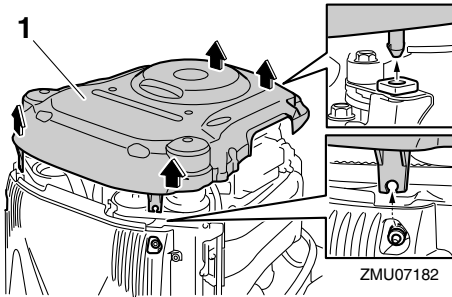
EMU40662

Inspecting spark plug

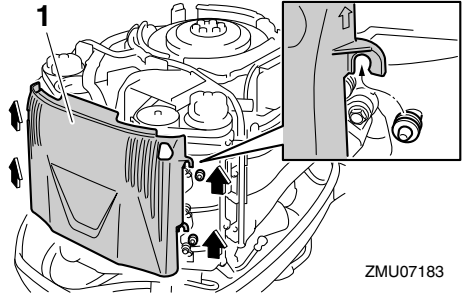
The spark plug is an important engine component. The condition of the spark plug can indicate something about the condition of the engine. For example, if the center electrode porcelain is very white, this could indicate an intake air leak or carburetion problem in that cylinder. Do not attempt to diagnose any problems yourself. Instead, take the outboard motor to a Yamaha dealer. You should periodically remove and check the spark plug because heat and deposits will cause the spark plug to slowly break down and erode.

To remove the spark plug

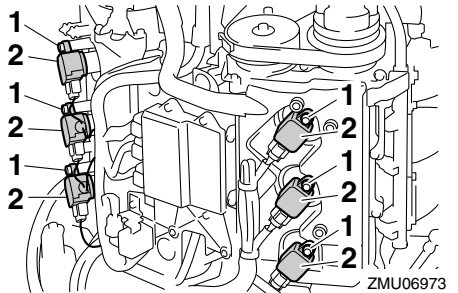
1. Remove the flywheel magnet cover.



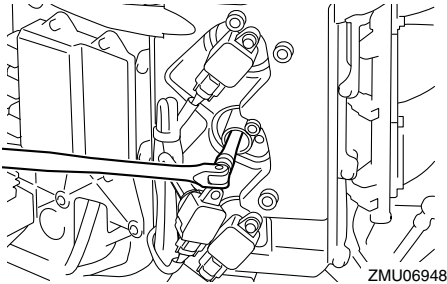
1. Flywheel magnet cover
2. Remove the ECM (Electronic Control Module) cover.



1. ECM (Electronic Control Module) cover
3. Remove the bolt that is securing the ignition coil, and then remove the ignition coil. **NOTICE: Do not use any tools to remove or install the ignition coil. Otherwise, the ignition coil coupler could be damaged.** [ECM02330]



1. Bolt
2. Ignition coil
4. Remove the spark plug. **WARNING! When removing or installing a spark plug, be careful not to damage the insulator. A damaged insulator could allow external sparks, which could lead to explosion or fire.** [EWM00561]

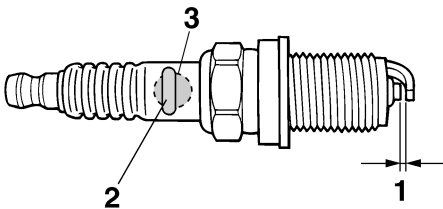


To check the spark plug

1. Check the condition of the spark plug. If electrode erosion becomes excessive or carbon and other deposits are excessive, replace the spark plug with the specified plug.

Standard spark plug:
LFR6A-11

2. Measure the spark plug gap using a thickness gauge. If the spark plug gap is out of specification, replace the spark plug with the specified plug.



1. Spark plug gap
2. Spark plug part number
3. Spark plug I.D. mark (NGK)

Spark plug gap:
1.0–1.1 mm (0.039–0.043 in)

To install the spark plug

1. Wipe off any dirt from the threads, insulator, and gasket surface of the spark plug.
2. Install the spark plug, and then tighten it to the specified torque.

Spark plug tightening torque:
28.0 Nm (2.86 kgf-m, 20.7 ft-lb)

TIP:

If a torque-wrench is not available when you are fitting a spark plug, fully tighten a spark plug with a spark plug wrench. Then tighten 1/4 to 1/2 turn more. Have the spark plug adjusted to the correct torque as soon as possible with a torque-wrench.

3. Install the ignition coil, and then tighten the bolt to the specified torque.

Bolt tightening torque:
28.0 Nm (2.86 kgf-m, 20.7 ft-lb)

4. Install the ECM cover.
5. Install the flywheel magnet cover.

EMU41870

Inspecting engine idle speed

ECM01690

NOTICE

This procedure must be performed while the outboard motor is in the water.

Inspect the engine idle speed using the meter that is equipped on the boat. Results may vary depending on whether testing is conducted with the outboard motor in the water.

1. Start the engine and allow it to warm up fully in neutral until it is running smoothly.
2. Inspect the engine idle speed. If the engine idle speed is out of specification, consult a Yamaha dealer or other quali-

Maintenance

fied mechanic.

Idle speed (in neutral):
650 ±50 r/min

EMU41203

Changing engine oil

ECM01710

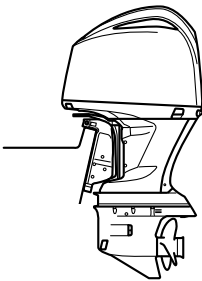
NOTICE

Change the engine oil after the first 20 hours of operation or 3 months, and every 100 hours or at 1-year intervals thereafter. Otherwise the engine will wear quickly.

When changing the engine oil, the outboard motor must be placed in a vertical position. If you are not able to place the outboard motor in a vertical position, have a Yamaha dealer change the engine oil.

Procedure for changing engine oil using an oil changer

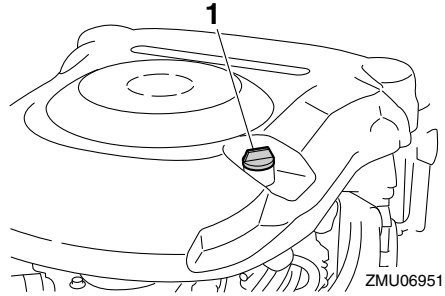
1. Place the outboard motor in a vertical position (not tilted). **NOTICE: If the outboard motor is not level, the oil level indicated on the oil dipstick may not be accurate.** [ECM01861]



ZMU05843

2. Start the engine and warm it up until the engine speed stabilizes at idle speed.
3. Stop the engine and leave it for 5-10 minutes.
4. Remove the top cowling.

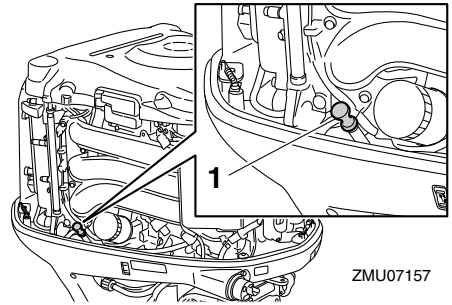
5. Remove the oil filler cap.



ZMU06951

1. Oil filler cap

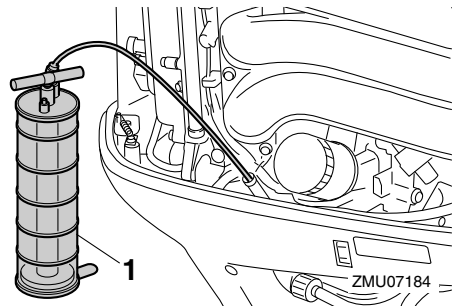
6. Remove the oil dipstick.



ZMU07157

1. Oil dipstick

7. Insert the tube of the oil changer into the oil dipstick guide, and then extract the engine oil completely.

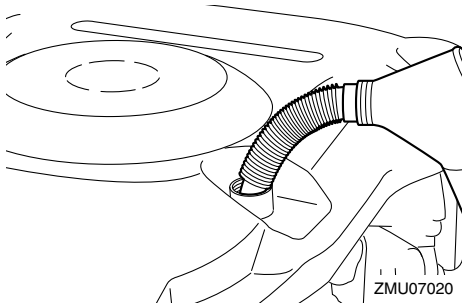


ZMU07184

1. Oil changer

8. Add the correct amount of engine oil through the filler hole. **NOTICE: Overfilling the engine with engine oil could cause leakage or damage. If the oil level is above the upper mark, extract engine oil until the oil level is between the upper and lower marks.**

[ECM02270]



Replacement engine oil quantity (at periodic maintenance):

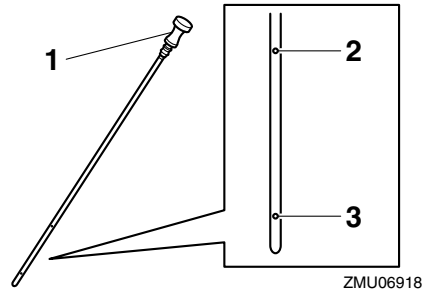
Without oil filter replacement:

6.0 L (6.34 US qt, 5.28 Imp.qt)

With oil filter replacement:

6.3 L (6.66 US qt, 5.54 Imp.qt)

9. Install the oil filler cap and oil dipstick.
10. Leave the outboard motor for 5-10 minutes.
11. Remove the oil dipstick and wipe it clean.
12. Insert the oil dipstick completely and remove it again.
13. Check that the oil level on the oil dipstick is between the upper and lower marks. Consult your Yamaha dealer if the oil level is not at the proper level.



1. Oil dipstick
2. Upper mark
3. Lower mark

14. Start the engine and make sure that the low oil pressure-alert indicator remains off. Also, check that there are no oil leaks. **NOTICE: If the low oil pressure-alert indicator comes on or if there are oil leaks, stop the engine and find the cause. Continued operation with a problem could cause severe engine damage. Consult your Yamaha dealer if the problem cannot be located and corrected.** [ECM01622]
15. Dispose of used engine oil according to local regulations.

TIP:

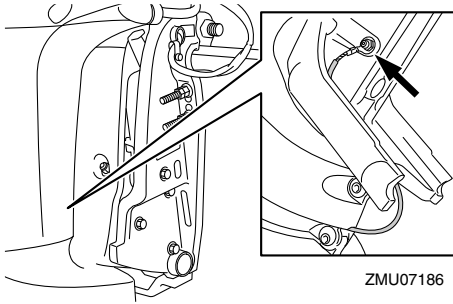
- For more information on the disposal of used engine oil, consult your Yamaha dealer.
 - Change the engine oil more often when operating the engine under adverse conditions, such as extended trolling.
16. Install the top cowling.

EMU29114

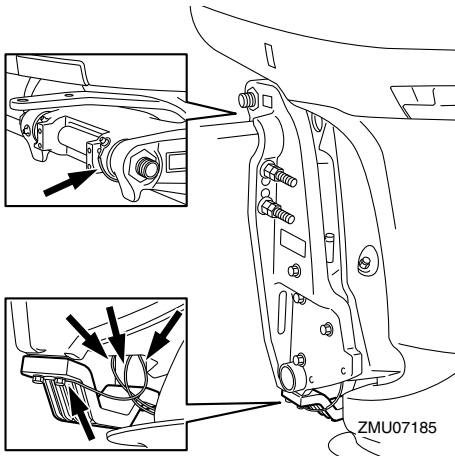
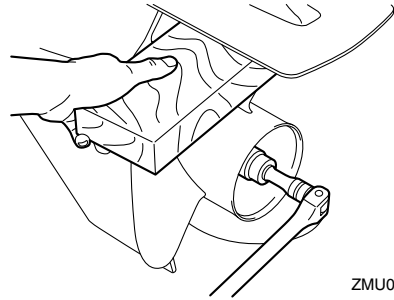
Inspecting wiring and connectors

- Inspect that each connector is engaged securely.
- Inspect that each ground lead is properly secured.

Maintenance

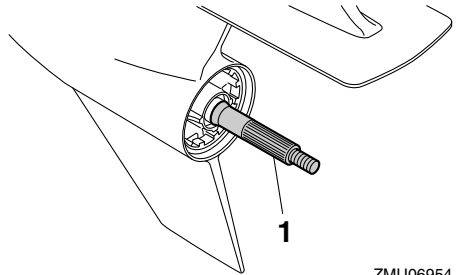


nut. Place a block of wood between the anti-cavitation plate and the propeller to prevent the propeller from turning.



Checkpoints

- Check each of the propeller blades for erosion from cavitation or ventilation, and other damage.
- Check the propeller shaft for damage.
- Check the splines for wear and damage.
- Check for fish line tangled around the propeller shaft.



EMU41670

Inspecting propeller

EWM02680



You could be seriously injured if the engine accidentally starts when you are near the propeller. Before inspecting, removing, or installing the propeller, move the control lever to the neutral position, turn the main switch to the "OFF" (off) position, remove the key, and remove the clip from the engine shut-off switch. Turn off the battery cut-off switch if your boat has one.

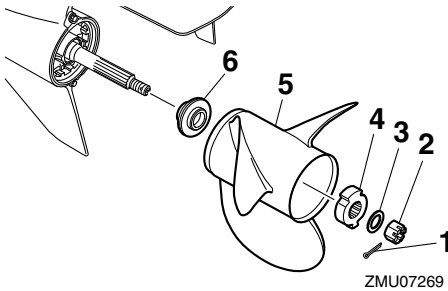
Do not use your hand to hold the propeller when loosening or tightening the propeller

1. Propeller shaft

EMU41990

Removing propeller

1. Straighten the cotter pin and pull it out using a pair of pliers.
2. Remove the propeller nut, washer, and spacer. **WARNING! Do not use your hand to hold the propeller when loosening the propeller nut.** [EWM01890]



1. Cotter pin
2. Propeller nut
3. Washer
4. Spacer
5. Propeller
6. Thrust washer

3. Remove the propeller and thrust washer.

EMU41980

Installing propeller

EWM00770

WARNING

On counter rotation models, be sure to use a propeller intended for counter-clockwise rotation. These propellers are identified with the letter "L" after the size indication on the propeller. Otherwise the boat could move in the opposite direction from that expected.

ECM00501

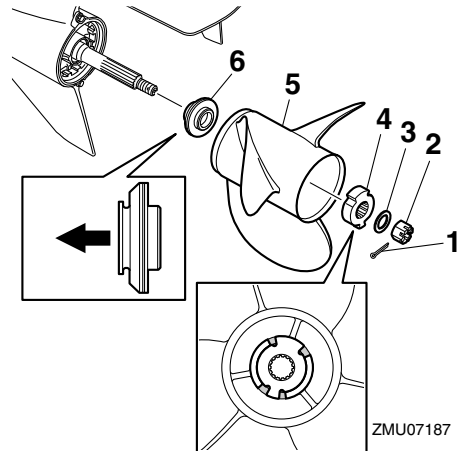
NOTICE

Make sure to use a new cotter pin and bend the ends over securely. Otherwise, the propeller could come off during operation and be lost.

1. Apply Yamalube Marine Grease to the propeller shaft.
2. Install the thrust washer and propeller on the propeller shaft. **NOTICE: Make sure to install the thrust washer before in-**

stalling the propeller. Otherwise, the lower case and propeller boss could be damaged. [ECM01881]

3. Install the spacer, washer, and propeller nut. Tighten the propeller nut to the specified torque.



1. Cotter pin
2. Propeller nut
3. Washer
4. Spacer
5. Propeller
6. Thrust washer

Propeller nut tightening torque:
54.0 Nm (5.51 kgf-m, 39.8 ft-lb)

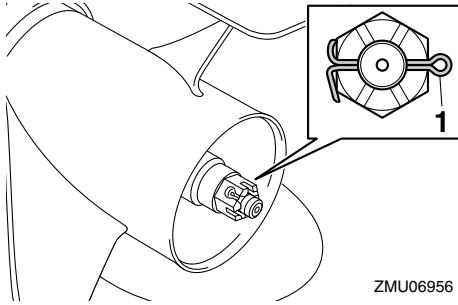
TIP:

Make sure to align the protrusions on the spacer with the cutout areas of the propeller.

4. Align the propeller nut slot with the propeller shaft hole. Insert a new cotter pin in the hole and bend the cotter pin ends.

NOTICE: Do not reuse the cotter pin. Otherwise, the propeller can come off during operation. [ECM01891]

Maintenance



ZMU06956

1. Cotter pin

TIP:

If the propeller nut slot does not align with the propeller shaft hole after tightening the propeller nut to the specified torque, tighten the nut further to align the slot with the hole.

EMU41191

Changing gear oil

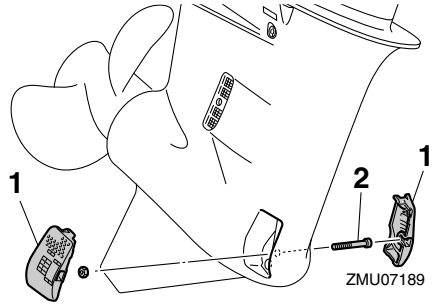
EWM02530



- Make sure that the outboard motor is mounted securely to the transom or a stable stand. You could be severely injured if the outboard motor falls on you.
- Never get under the lower unit while it is tilted. Severe injury could occur if the outboard motor accidentally falls.

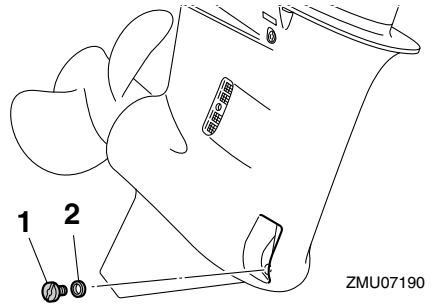
Before filling the lower unit with gear oil, the outboard motor must be placed in a vertical position. If you are not able to place the outboard motor in a vertical position, have a Yamaha dealer change the gear oil.

1. Tilt the outboard motor so that the gear oil drain screw is at the lowest point possible.
2. Place a suitable container under the gear case.
3. Loosen the bolt, and then remove the cooling water inlet covers on both sides of the gear case.



1. Cooling water inlet cover
2. Bolt

4. Remove the gear oil drain screw and gasket.

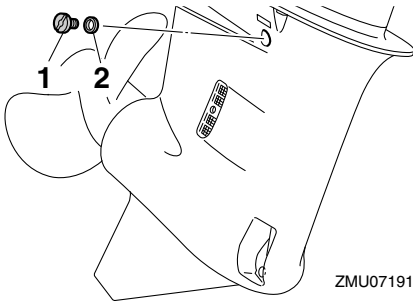


1. Gear oil drain screw
2. Gasket

5. Remove the oil level plug and gasket to allow the gear oil to drain completely.
NOTICE: Check the used gear oil after it has been drained. If the gear oil is milky or contains water or a large amount of metal particles, the gear case may be damaged. Have a Yamaha dealer check and repair the outboard motor. [ECM00713]

TIP:

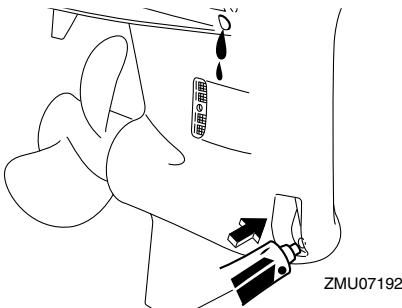
For disposal of used gear oil, consult your Yamaha dealer.



1. Oil level plug
2. Gasket

6. Remove any metal particles on the magnetic gear oil drain screw. **NOTICE: If there is an excessive quantity of metal particles on the magnetic gear oil drain screw, this can indicate lower unit problem. Consult your Yamaha dealer.** [ECM01900]
7. Place the outboard motor in a vertical position. Using a flexible or pressurized filling device, inject the gear oil into the gear oil drain screw hole.

Gear oil quantity:
1.040 L (1.099 US qt, 0.915 Imp.qt)



8. Put a new gasket on the oil level plug. When the gear oil begins to flow out of the oil level plug hole, insert and tighten

the oil level plug to the specified torque.

Tightening torque:
9 Nm (0.9 kgf-m, 6.6 ft-lb)

9. Put a new gasket on the gear oil drain screw. Insert and tighten the gear oil drain screw to the specified torque.

Tightening torque:
9 Nm (0.9 kgf-m, 6.6 ft-lb)

10. Install the cooling water inlet covers on both sides of the gear case, and then tighten the bolt to the specified torque.

Tightening torque:
2.0 Nm (0.2 kgf-m, 1.5 ft-lb)

EMU29313

Inspecting and replacing anode(s)

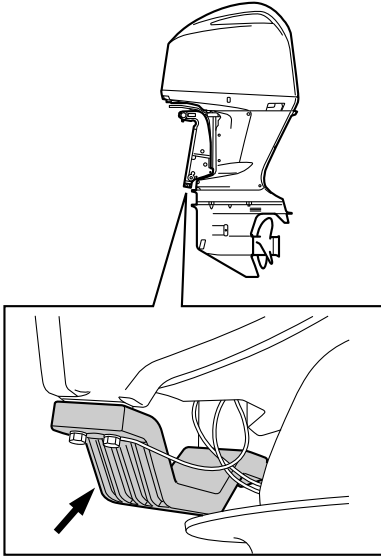
Yamaha outboard motors are protected from corrosion by sacrificial anodes. Inspect the external anodes periodically. Remove scales from the surfaces of the anodes. Consult a Yamaha dealer for replacement of external anodes.

ECM00720

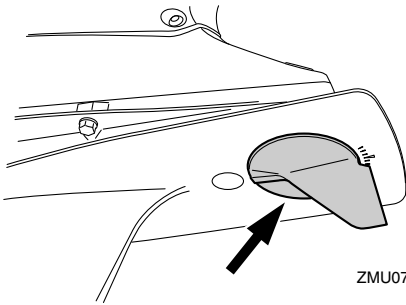
NOTICE

Do not paint anodes, as this would render them ineffective.

Maintenance



ZMU07193



ZMU07194

TIP:

Inspect ground leads attached to external anodes on equipped models. Consult a Yamaha dealer for inspection and replacement of internal anodes attached to the power unit.

EMU29323

Checking battery (for electric start models)

EWM01902

WARNING

Battery electrolyte is poisonous and caustic, and batteries generate explosive hydrogen gas. When working near the battery:

- Wear protective eye gear and rubber gloves.
- Do not smoke or bring any other source of ignition near the battery.

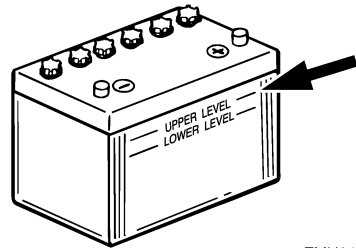
The procedure for checking the battery varies for different batteries. This procedure contains typical checks that apply to many batteries, but you should always refer to the battery manufacturer's instructions.

ECM01920

NOTICE

A poorly maintained battery will quickly deteriorate.

1. Check the electrolyte level.



ZMU01810

2. Check the battery's charge. If your boat is equipped with the digital speedometer, the voltmeter and low battery alert functions will help you monitor the battery's charge. If the battery needs charging, consult your Yamaha dealer.
3. Check the battery connections. They

should be clean, secure, and covered by an insulating cover. **WARNING! Bad connections can produce shorting or arcing and cause an explosion.**

[EWM01912]

EMU35604

Connecting the battery

EWM00572

WARNING

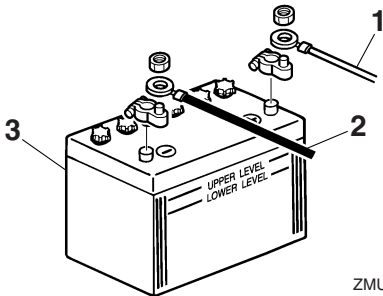
Mount the battery holder securely in a dry, well-ventilated, vibration-free location in the boat. Install a fully charged battery in the holder.

ECM01124

NOTICE

Do not reverse the battery cables. Otherwise, the electrical parts could be damaged.

1. Make sure the main switch (on applicable models) is "OFF" (off) before working on the battery.
2. Connect the red battery cable to the POSITIVE (+) terminal first. Then connect the black battery cable to the NEGATIVE (-) terminal.



ZMU01811

1. Red cable
2. Black cable
3. Battery

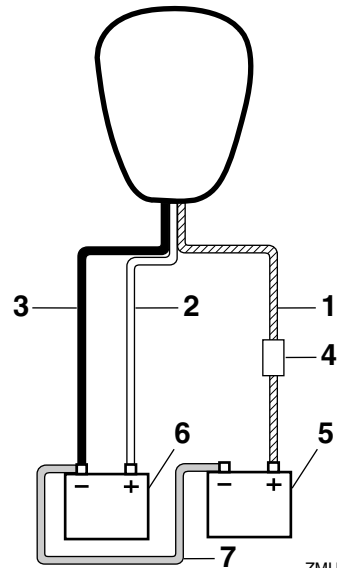
3. The electrical contacts of the battery and cables must be clean and properly con-

nected, or the battery will not start the engine.

Connecting an accessory battery (optional)

1. If connecting an accessory battery, consult your Yamaha dealer about correct wiring. It is recommendable to install the fuse to the isolator lead as shown in the illustration. For the fuse size, be sure to follow local regulations. For example, for USA, the ABYC rules (E-11) should be observed.

Single engine

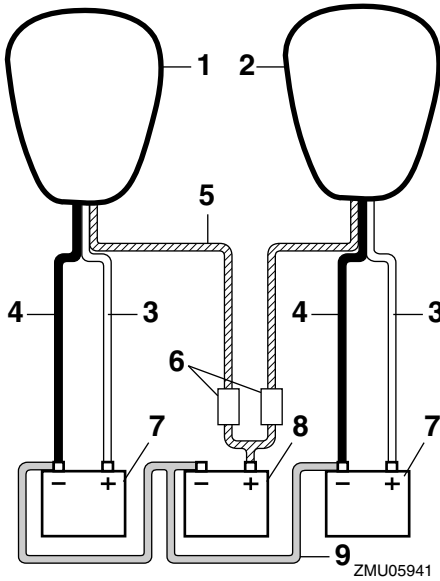


ZMU05939

1. Isolator lead with circuit protection
2. Red cable
3. Black cable
4. Fuse
5. Battery for accessories
6. Battery for starting
7. Negative connecting cable

Maintenance

Twin engines



1. Starboard side engine
2. Port side engine
3. Red cable
4. Black cable
5. Isolator lead with circuit protection
6. Fuse
7. Battery for starting
8. Battery for accessories
9. Negative connecting cable

EMU29371

Disconnecting the battery

1. Turn off the battery cut-off switch (if equipped) and main switch. **NOTICE: If they are left on, the electrical system can be damaged.** [ECM01930]
2. Disconnect the negative cable(s) from the negative (-) terminal. **NOTICE: Always disconnect all negative (-) cables first to avoid a short circuit and damage to the electrical system.**

[ECM01940]

3. Disconnect the positive cable(s) and remove the battery from the boat.
4. Clean, maintain, and store the battery according to the manufacturer's instructions.

EMU38660

Storing the battery

When storing your Yamaha outboard motor for prolonged periods of time (2 months or longer), remove the battery and store it in a cool, dry place.

Check the battery and charge it if necessary.

EMU41560

Troubleshooting

This section describes the likely causes and remedies for problems, such as those in the fuel, compression, and ignition systems, poor starting, and loss of power. Please note that all of the items in this section may not apply to your model.

If your outboard motor requires repair, bring it to a Yamaha dealer.

If the engine trouble-alert indicator is blinking, consult your Yamaha dealer.

The Yamaha Security System does not operate correctly.

Q. Is receiver within the communicating range from the remote control transmitter?

A. Operate remote control transmitter within the communicating range from the receiver.

Q. Is main switch "ON" position?

A. Turn main switch to "OFF" position.

Q. Is communication obstructing objects such as other source of communication machine or metal close by?

A. Operate remote control transmitter away from the other source of communication machine or metal.

Q. Is remote control transmitter registered?

A. Use remote control transmitter registered with the receiver.

Q. Has the battery cell of the remote control transmitter discharged?

A. Operate from spare remote control transmitter or replace battery cell by a Yamaha dealer.

Q. Are battery connections loose or corroded?

ed?

A. Tighten battery cables and clean battery terminals.

Q. Is battery capacity weak or low?

A. Check battery condition. Use battery of recommended capacity.

Starter will not operate.

Q. Is your Yamaha Security System in the lock mode?

A. Set the security system to the unlock mode. For further information, see page 22.

Q. Does the Digital electronic control-alert indicator come on?

A. Have serviced by a Yamaha dealer.

Q. Is control lever in gear?

A. Shift to neutral.

Q. Is battery capacity low or weak?

A. Check battery condition. Use battery of recommended capacity.

Q. Are battery connections corroded or loose?

A. Tighten battery cables and clean battery terminals.

Q. Is fuse for starter relay or electric circuit blown?

A. Check for cause of electric overload and repair. Replace fuse with one of correct amperage.

Q. Are starter components malfunctioning?

A. Have serviced by a Yamaha dealer.

Engine will not start (starter operates).

Q. Is clip on engine shut-off cord (lanyard) in-

Trouble Recovery

stalled?

A. Install clip to engine shut-off switch.

Q. Is fuel tank empty?

A. Fill tank with clean, fresh fuel.

Q. Is fuel contaminated or stale?

A. Fill tank with clean, fresh fuel.

Q. Is fuel filter clogged?

A. Clean or replace fuel filter.

Q. Is fuel pump malfunctioning?

A. Have serviced by a Yamaha dealer.

Q. Are spark plugs fouled or of incorrect type?

A. Inspect spark plugs. Clean or replace with recommended type.

Q. Are ignition parts malfunctioning?

A. Have serviced by a Yamaha dealer.

Q. Is ignition wiring damaged or poorly connected?

A. Inspect wires for breaks and wear. Have connections tightened and broken or worn wires replaced by a Yamaha dealer.

Q. Are engine inner parts damaged?

A. Have serviced by a Yamaha dealer.

Engine idles irregularly or stalls.

Q. Are spark plugs fouled or of incorrect type?

A. Inspect spark plugs. Clean or replace with recommended type.

Q. Is fuel system clogged?

A. Inspect for pinched or kinked fuel line or other obstructions in fuel system.

Q. Is fuel contaminated or stale?

A. Fill tank with clean, fresh fuel.

Q. Is fuel filter clogged?

A. Clean or replace fuel filter.

Q. Are ignition parts malfunctioning?

A. Have serviced by a Yamaha dealer.

Q. Has alert system activated?

A. Find and correct cause of alert.

Q. Is spark plug gap incorrect?

A. Replace spark plug.

Q. Is ignition wiring damaged or poorly connected?

A. Inspect wires for breaks and wear. Have connections tightened and broken or worn wires replaced by a Yamaha dealer.

Q. Is specified engine oil not being used?

A. Inspect engine oil and replace with specified type.

Q. Is thermostat clogged or malfunctioning?

A. Have serviced by a Yamaha dealer.

Q. Is fuel pump malfunctioning?

A. Have serviced by a Yamaha dealer.

Q. Is fuel tank air vent restricted or clogged?

A. Remove obstruction.

Q. Is fuel joint connection incorrect?

A. Connect correctly.

Q. Is battery cable disconnected?

A. Connect securely.

Alert buzzer sounds or indicator lights.

Q. Is cooling system clogged?

A. Inspect cooling water inlet for obstructions.

Q. Is low oil pressure-alert indicator on or blinking?

A. Have serviced by a Yamaha dealer.

Q. Is heat range of spark plugs incorrect?

A. Inspect spark plugs and replace with recommended type.

Q. Is specified engine oil not being used?

A. Inspect engine oil and replace with specified type.

Q. Is engine oil contaminated or deteriorated?

A. Replace engine oil with specified type.

Q. Is oil filter clogged?

A. Have serviced by a Yamaha dealer.

Q. Is oil pump malfunctioning?

A. Have serviced by a Yamaha dealer.

Q. Is thermostat or water pump malfunctioning?

A. Have serviced by a Yamaha dealer.

Q. Is there excess water in fuel filter?

A. Drain fuel filter.

Engine power loss.

Q. Is propeller damaged?

A. Have propeller repaired or replaced.

Q. Is propeller pitch or diameter incorrect?

A. Install correct propeller to operate outboard motor at its recommended speed

(r/min) range.

Q. Is outboard motor mounted at incorrect height on transom?

A. Have outboard motor adjusted to proper transom height.

Q. Has alert system activated?

A. Find and correct cause of alert.

Q. Is boat bottom fouled with marine growth?

A. Clean boat bottom.

Q. Are spark plugs fouled or of incorrect type?

A. Inspect spark plugs. Clean or replace with recommended type.

Q. Are weeds or other foreign material tangled on gear housing?

A. Remove foreign material and clean lower unit.

Q. Is fuel system clogged?

A. Inspect for pinched or kinked fuel line or other obstructions in fuel system.

Q. Is fuel filter clogged?

A. Clean or replace fuel filter.

Q. Is fuel contaminated or stale?

A. Fill tank with clean, fresh fuel.

Q. Is spark plug gap incorrect?

A. Replace spark plug.

Q. Is ignition wiring damaged or poorly connected?

A. Inspect wires for breaks and wear. Have connections tightened and broken or worn wires replaced by a Yamaha dealer.

Trouble Recovery

Q. Are electrical parts malfunctioning?

A. Have serviced by a Yamaha dealer.

Q. Is specified fuel not being used?

A. Replace fuel with specified type.

Q. Is specified engine oil not being used?

A. Replace engine oil with specified type.

Q. Is thermostat clogged or malfunctioning?

A. Have serviced by a Yamaha dealer.

Q. Is fuel tank air vent restricted or clogged?

A. Remove obstruction.

Q. Is fuel pump malfunctioning?

A. Have serviced by a Yamaha dealer.

Q. Is fuel joint connection incorrect?

A. Connect correctly.

Q. Is heat range of spark plugs incorrect?

A. Inspect spark plugs and replace with recommended type.

Q. Is engine not responding properly to control lever position?

A. Have serviced by a Yamaha dealer.

Engine vibrates excessively.

Q. Is propeller damaged?

A. Have propeller repaired or replaced.

Q. Is propeller shaft damaged?

A. Have serviced by a Yamaha dealer.

Q. Are weeds or other foreign material tangled on propeller?

A. Remove and clean propeller.

Q. Are outboard motor mounting bolts loose?

A. Tighten bolts or have serviced by a Yamaha dealer.

Q. Is steering pivot loose or damaged?

A. Have serviced by a Yamaha dealer.

EMU29433

Temporary action in emergency

EMU29441

Impact damage

EWM00870



The outboard motor can be seriously damaged by a collision while operating or trailering. Damage could make the outboard motor unsafe to operate.

If the outboard motor hits an object in the water, follow the procedure below.



1. Stop the engine immediately.
2. Check the control system and all components for damage. Also, check the boat for damage.
3. Whether damage is found or not, return to the nearest harbor slowly and carefully.
4. Have a Yamaha dealer check the outboard motor before operating it again.

EMU29453

Running single engine (twin engines)

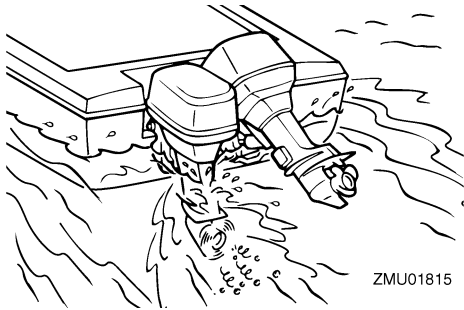
When using only one engine in an emergen-

cy, be sure to keep the unused one tilted up and operate the other engine at low speed.

ECM00370

NOTICE

If the boat is operated with one engine in the water but not running, water may run into the exhaust pipe due to wave action, causing engine trouble.



TIP:

When you are maneuvering at low speed, such as near a dock, it is recommended that both engines be running with one in neutral gear if possible.

EMU41880

Replacing fuse

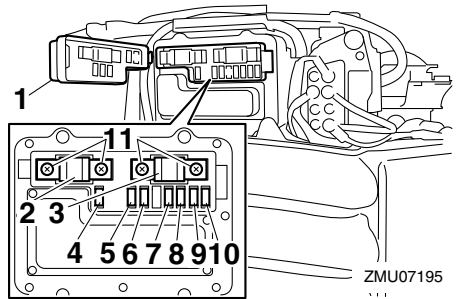
EWM00631

WARNING

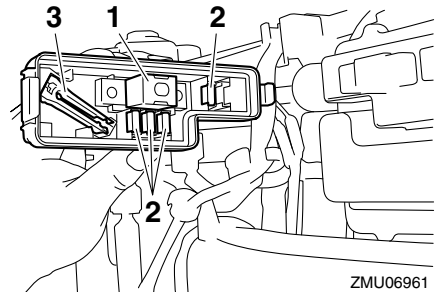
Substituting an incorrect fuse or a piece of wire could allow excessive current flow. This could cause electric system damage and a fire hazard.

If a fuse has blown, replace the fuse according to the following procedure.

1. Turn the main switch to the "OFF" (off) position.
2. Remove the fuse box cover.
3. When replacing the main fuse or isolater fuse, remove the screws, and then remove the fuse. Install the spare fuse, and then tighten the screws.



1. Fuse box cover
2. Main fuse (100 A)
3. Isolater fuse (100 A)
4. Fuel feed pump fuse (10 A)
5. Main switch / PTT switch / Digital electronic control ECM (Electronic control module) fuse (20 A)
6. Shift actuator fuse (15 A)
7. Starting switch (30 A)
8. Ignition coil / Fuel injector / Variable camshaft timing / Engine ECM (Electronic control module) fuse (30 A)
9. Electric throttle valve fuse (10 A)
10. Fuel pump fuse (15 A)
11. Screw



1. Spare fuse (100 A)
2. Spare fuse (10A, 15 A, 20 A, 30 A)
3. Fuse puller
4. When replacing a fuse other than the main fuse or isolater fuse, remove the

Trouble Recovery

fuse using the fuse puller. Install a spare fuse of the proper amperage.

Consult your Yamaha dealer if the new fuse immediately blows again.

EMU40982

Power trim and tilt unit will not operate

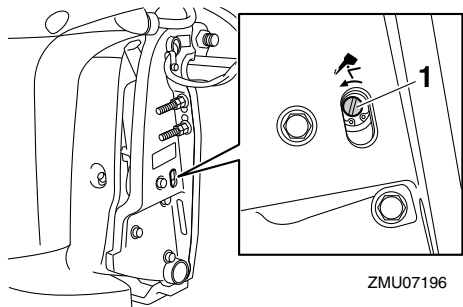
EWM02330

WARNING

Never get under the engine while it is tilted. Severe injury could occur if the outboard motor accidentally falls.

If the outboard motor cannot be tilted up or down using the power trim and tilt unit because of a discharged battery or a failure with the power trim and tilt unit, the outboard motor can be tilted manually.

1. Stop the engine.
2. Loosen the manual valve screw by turning it counterclockwise until it stops.
3. Tilt the outboard motor up manually to the desired position, and then tighten the manual valve screw by turning it clockwise.



1. Manual valve screw

EMU41890

Water separator-alert indicator blinks while cruising

EWM02542

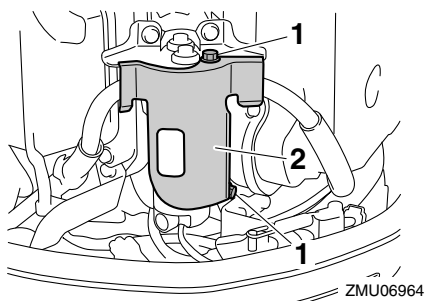
WARNING

Gasoline is highly flammable, and its vapors are flammable and explosive.

- Do not perform this procedure on a hot or running engine. Allow the engine to cool.
- There will be fuel in the fuel filter. Keep away from sparks, cigarettes, flames or other sources of ignition.
- Some fuel will spill during this procedure. Catch the fuel in a rag. Wipe up any spilled fuel immediately.
- The fuel filter must be reassembled carefully with the O-ring and filter cup in place. Improper assembly or replacement could result in a fuel leak, which could result in a fire or explosion hazard.

If the water separator-alert indicator blinks, perform the following procedure.

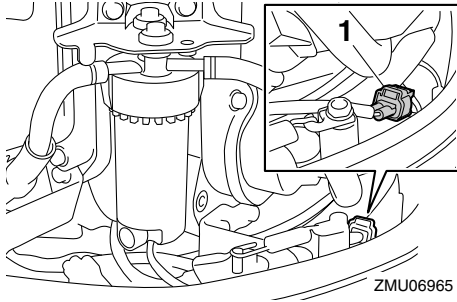
1. Stop the engine.
2. Remove the top cowling.
3. Remove the bolts, and then remove the fuel filter cover.



1. Bolt
2. Fuel filter cover

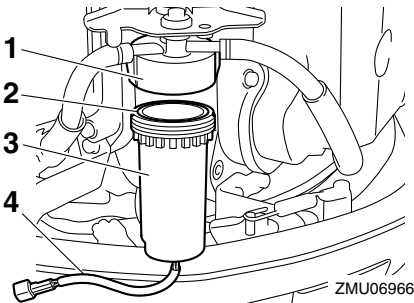
Trouble Recovery

4. Disconnect the water detection switch coupler. **NOTICE: Be careful not to get any water on the water detection switch coupler, otherwise a malfunction could occur.** [ECM01950]



1. Water detection switch coupler

5. Remove the filter cup from the filter housing, and then remove the O-ring from the filter cup. **NOTICE: Be careful not to twist the water detection switch lead when unscrewing the filter cup.** [ECM01960]

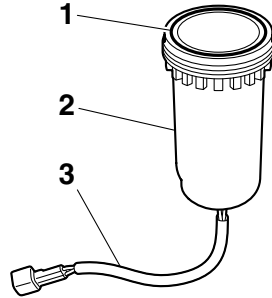


1. Filter housing
2. O-ring
3. Filter cup
4. Water detection switch lead

6. Drain the water in the filter cup by soaking it up with a rag.
7. Put the O-ring on the filter cup in its orig-

inal position, and then install the filter cup onto the filter housing. **NOTICE: Be careful not to twist the water detection switch lead when screwing the filter cup onto the filter housing.**

[ECM01970]



1. O-ring
2. Filter cup
3. Water detection switch lead

8. Connect the water detection switch coupler securely until a click is heard.
9. Install the fuel filter cover, and then tighten the bolts.
10. Install the top cowling.
11. Turn the main switch to the "ON" (on) position and check that the water separator-alert indicator remains off and the buzzer does not sound. If the water separator-alert indicator blinks or the buzzer sounds, have your Yamaha dealer check the outboard motor. **NOTICE: Although the buzzer will stop when the engine is started and the control lever is moved to the forward or reverse position, do not use the outboard motor. Otherwise, serious engine damage could occur.** [ECM02480]

EMU33501

Treatment of submerged motor

If the outboard motor is submerged, immedi-


Trouble Recovery

ately take it to a Yamaha dealer. Otherwise some corrosion may begin almost immediately. **NOTICE: Do not attempt to run the outboard motor until it has been completely inspected.** [ECM00401]



YAMAHA MOTOR CO., LTD.

Printed in Japan

March 2010-0.5 × 1 

Printed on recycled paper